

High-rigidity Type Capable of Functioning as a Beam Member

Monocarrier MCH Series



Now offering prompt delivery of Monocarriers. They significantly reduce workloads for equipment design and assembly.

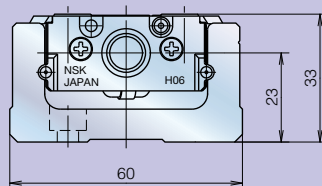


■ Features

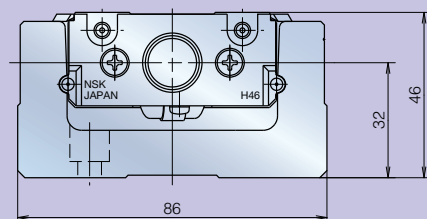
1. Compact for easy handling.
2. Monocarriers come equipped with the NSK K1® lubrication unit as a standard feature, which facilitates long-term, maintenance-free operation.
3. NSK clean grease (LG2) is optionally available for semiconductor and liquid crystal display manufacturing equipment.
4. A variety of optional components, including a cover, sensors and motor intermediate plates, are readily available.

Compact

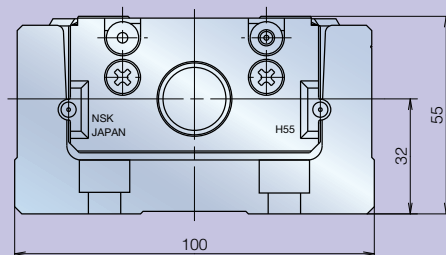
MCH06



MCH09

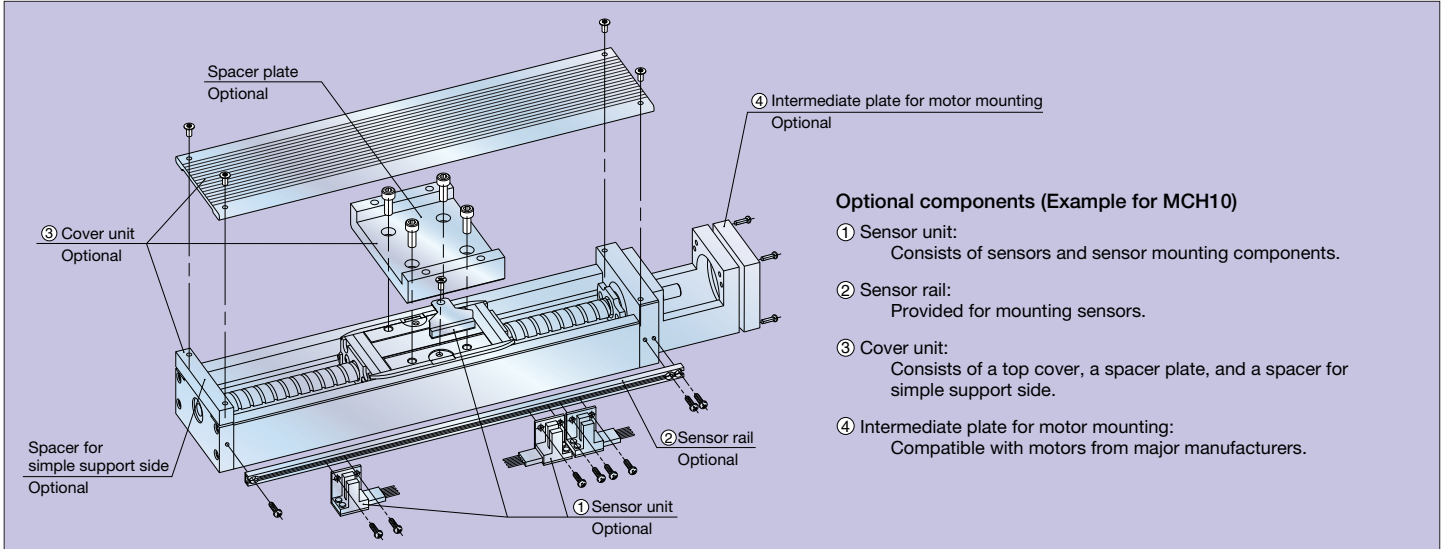


MCH10



Monocarrier MCH Series

Assembly



Standard combination for the stroke and ball screw lead (High grade: H)

Stroke and ball screw lead for standard single slider specification

●: Standard stock item ○: Prompt delivery item

Unit: mm

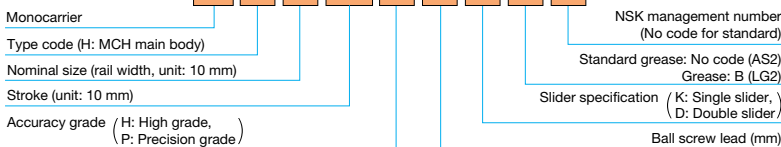
Nominal size	MCH06			MCH09			MCH10		
	Lead	5	10	20	5	10	20	10	20
Stroke									
50	●	●	○						
100	●	●	○	○	○	○	○	○	○
200	●	●	●	●	●	○	○	○	○
300	○	●	●	●	●	○	○	○	○
400	○	●	●	●	●	○	●	●	●
500	○	●	●	○	●	●	●	●	●
600				○	●	●	●	●	●
700				○	○	○	●	●	●
800				○	●	●	●	●	●
900							○	●	●
1 000							○	○	○
1 100							○	○	○
1 200							○	○	○

Reference number coding

The reference number is composed of codes representing typical specifications as shown below.

Main body

Reference number: **MC H 06 040 H 10 K B 0**



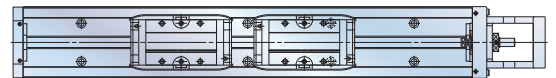
Assembly with optional components

Reference number: **MC S 06 040 H 10 K 00 K 0 0 0**



Optional specifications

- Clean grease specification: Packed with NSK clean grease (LG2).
- Double slider specification: An extra slider is provided for high load applications.



- P grade (precision grade) specification: Repeatability: $\pm 3 \mu\text{m}$.
- Assembly of optional components: We assemble optional components upon request.

Optional components

① Sensor unit

Sensor code	Type of sensor unit	Sensor used
0	N/A	
1	Proximate sensor (Normally closed)	E2S-W14 (3 pieces)
2	Proximate sensor (Normally open)	E2S-W13 (3 pieces)
3	Proximate sensor (Normally open, Normally closed)	E2S-W13 (1 piece), E2S-W14 (2 pieces)
4	Photosensor	EE-SX674 (3 pieces)

- Sensors are made by Omron Electronic Components.
- Photosensors are provided with connector (EE-1001).

② Cover unit

Cover code	Type of cover unit
0	N/A
1	Assembly with top cover

- When a sensor unit is used, you cannot use a full cover unit.

③ Intermediate plate for motor mounting

Several types of intermediate plates for motor mounting are available. Those are compatible with the motors from major manufacturers, including Yasukawa Electronic, Mitsubishi Electric, Matsushita Electronic Industrial, Sanyo Denki, Omron Electronic Components, and Oriental Motor. Consult NSK for details on dimensions.

For more information about NSK products, please contact: www.nsk.com



Printed on 100% recycled paper.