

# High-speed and Low-noise Ball Screws BSS Series

Quiet and compact, with unparalleled high speed performance. Reduced-noise BSS Series ball screws for an extensive range of uses, from machine tools to transportation equipment.

Patent Pending



# BSS Series—Next-generation ball screws with quiet, high-speed performance in a compact size, the result of joining NSK's advanced technology with an innovative recirculation method

A new series has joined the NSK ball screws lineup that delivers unrivaled precision. Developed with the advanced technology NSK has gained over years of earning customer trust with proven performance, this series represents a groundbreaking achievement in reduced noise and high-speed operation in an amazingly compact size. The quiet performance is especially appreciated in machine tools, medical equipment, semiconductor-manufacturing equipment, LCD manufacturing equipment, and chip mounting equipment.

## Features

### Quieter by 6 dB; nearly silent in typical applications

The average noise level is reduced by more than 6 dB compared with our conventional products. At low-speed rotation, the ball screws are nearly silent, while the lowest noise level is achieved at high-speed rotation\*.

\*Noise level measured with a microphone at a distance of 400 mm.

### High-speed operation of up to 220,000 dN

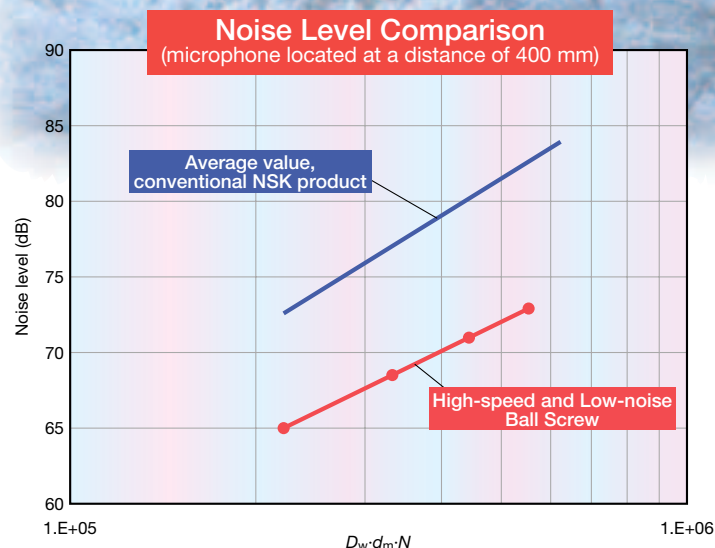
Realizes high-speed operation at a maximum of dN 220,000—outstanding for ball screws and far surpassing the 135,000 dN maximum performance of conventional return tube type products. For high lead ball screws, high-speed operation at over 200m/min is also possible.

### 30% smaller

The external diameter of the ball nut is 30% smaller than our conventional models. Compact configurations are possible for low-profile XY tables as well as for other devices and equipment.

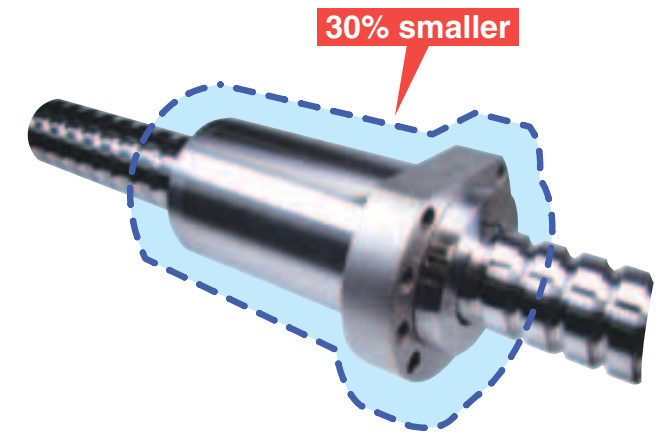
### Grease fitting provided as standard equipment

The ball screws with shaft diameters of less than  $\phi 25$  are standardly equipped with a grease fitting (M5  $\times$  0.8). Lubrication ports are provided in 2 places to facilitate maintenance. The ball screws can be easily connected to an integrated lubrication system.



# High-speed and Low-noise Ball Screws BSS Series

*High speed,  
extremely low noise*



## Application

Combinations of shaft diameter and lead of the high-speed and low-noise ball screws are shown in the table.

Shaft diameter	Lead													
	5	10	12	16	20	25	30	32	40	50	60	64	80	100
10	•	•												
12	•	•			•		•							
15	•	•			•		•							
20	•	•			•		•		•		•			
25	•	•			•	•	•			•				
32	•	•	•	•	•			•				•		
36	•	•	•	•	•									
40	•	•	•	•	•	•	•		•				•	
45		•	•	•	•	•	•							
50		•	•	•	•	•	•			•				•

## Specifications

### Recirculation method

A new internal ball recirculation method is applied for simpler, more compact ball nuts.

### Preload and axial play

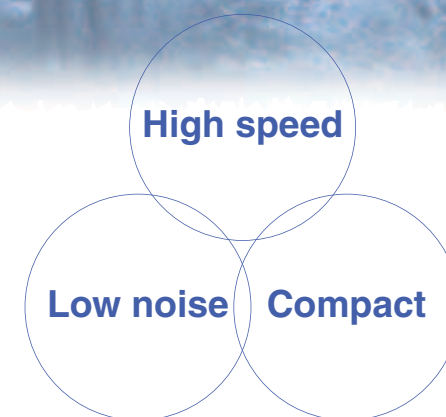
Adopts oversized ball preload, suitable for compact devices. Axial play can be selected from less than or equal to 0.005 mm (code T), 0.020 mm (code S), or 0.050 mm (code N). For more information, please see the general catalog of precision machine components.

### Sealing

Adopts a new compact design high performance sealing. Minimal grease scattering contributes to maintenance of a clean environment.

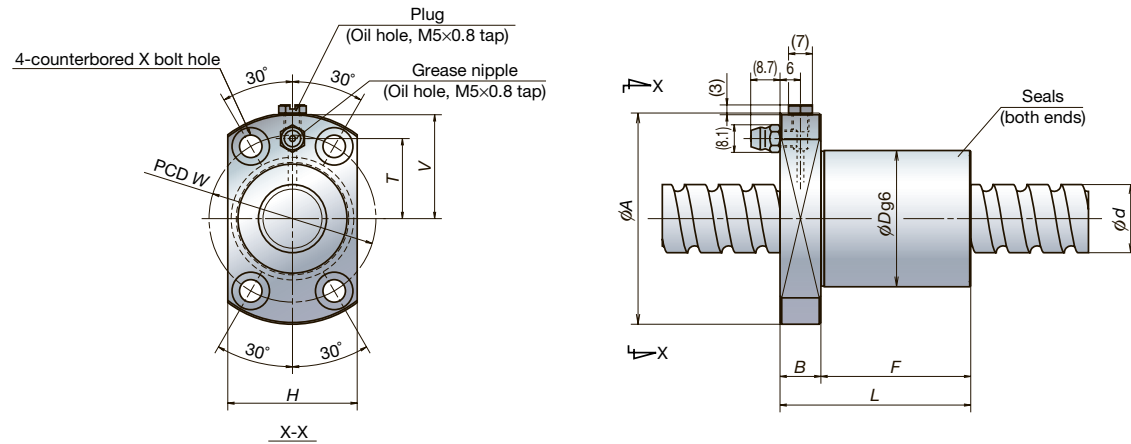
### Options

- Optional NSK K1™ lubrication unit, molded from resin and impregnated with lubrication oil, supplies fresh oil onto ball rolling surfaces, ensuring long-term, maintenance-free usage. Please contact NSK when using NSK K1.
- Please contact NSK about hollow shaft ball screws that are compatible with the forced cooling of the shaft center, which are effective for stabilizing positioning accuracy and shortening the warm-up period.

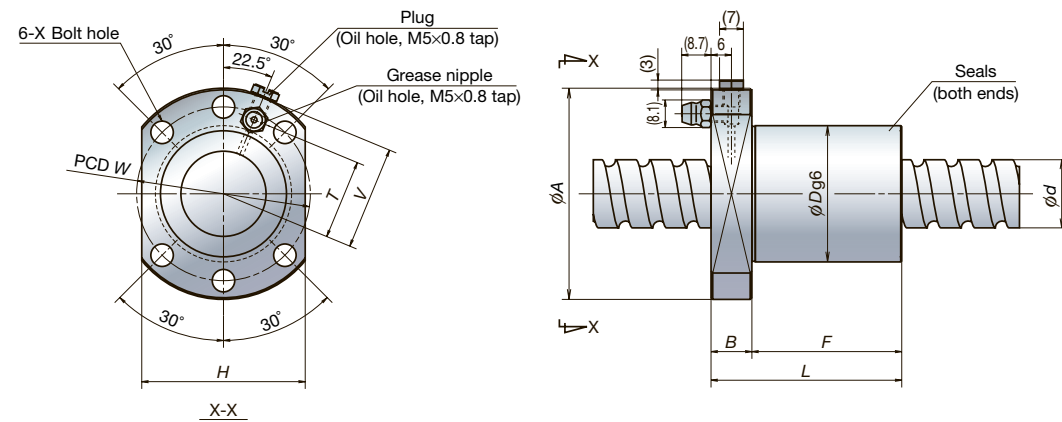


# Dimensions of BSS Series

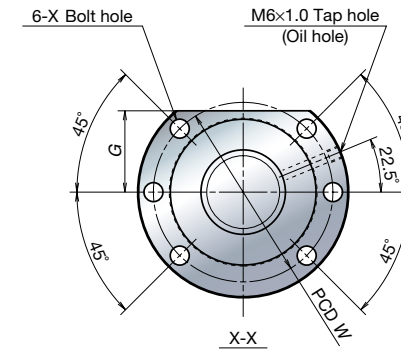
# High-speed and Low-noise Ball Screws BSS Series



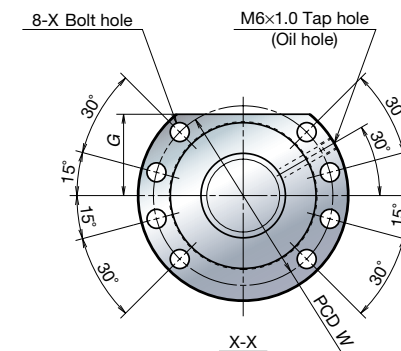
Type I Flange



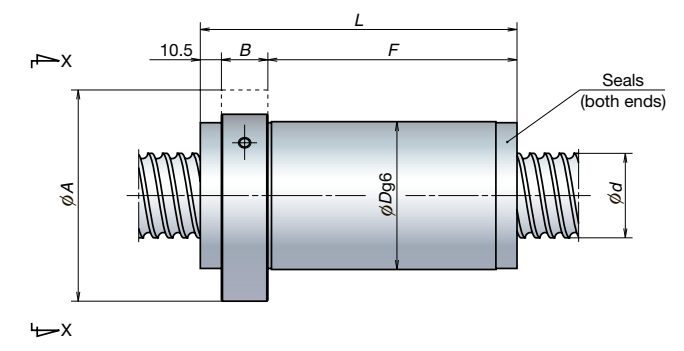
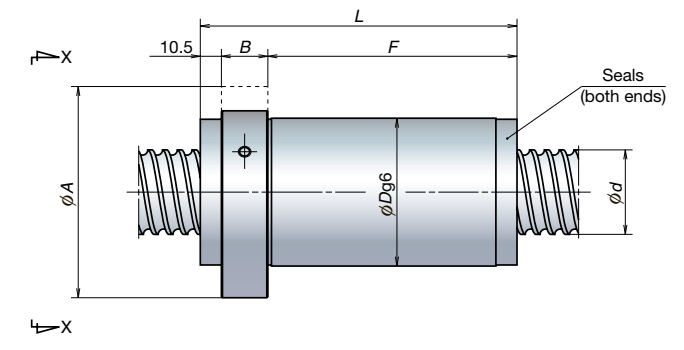
Type II Flange



Type III Flange



Type IV Flange



Model No.	Screw shaft diameter $d$ (mm)	Lead $\ell$ (mm)	Effective turns of balls	Basic load rating		Axial rigidity (N/ $\mu$ m)	Ball nut dimensions (mm)																		
				Dynamic $C_a$ (N)	Static $C_{oa}$ (N)		D	A	L	B	F	HxV	TYPE	W	X	T									
BSS1005-3E	10	5	3	2 930	4 790	126	23	43	29	11	18	26x21	I	33	M4	14									
BSS1010-2E		10	2	1 970	3 010	77			32		21														
BSS1205-3E	12	5	3	3 200	5 860	146	24	44	30	11	19	27x21.5	I	34	M4	14.5									
BSS1210-3E		10	3	3 200	5 860	142			43		32														
BSS1220-2E		20	2	2 150	3 610	83			50		39														
BSS1230-2E		30	2	2 150	3 610	75			70		59														
BSS1505-3E	15	5	3	5 460	10 200	183	28	51	30	11	19	31x25	I	39	M5	18									
BSS1510-3E		10	3	5 460	10 200	181			43		32														
BSS1520-2E		20	2	5 070	8 730	127			51		40														
BSS1530-2E		30	2	5 070	8 730	116			71		60														
BSS2005-3E	20	5	3	8 790	18 500	268	32	55	31	13	18	33x27	I	43	M5	20									
BSS2010-3E		10	3	8 790	18 500	268			45		32														
BSS2020-2E		20	2	5 900	11 700	167			54		41														
BSS2030-2E		30	2	5 900	11 700	159			74		61														
BSS2040-2E		40	2	5 900	11 700	147			92		79														
BSS2060-2E		60	2	5 900	11 700	128			129		116														
BSS2505-3E		25	5	3	9 760	23 600			325		40						62	32	12	20	48x30.5	II	51	M6	23.5
BSS2510-4E			10	4	12 800	32 300			437									56		44					
BSS2520-2E	20		2	6 560	14 600	203	54	42																	
BSS2525-2E	25		2	6 560	14 600	197	63	51																	
BSS2530-2E	30		2	6 560	14 600	194	74	62																	
BSS2550-2E	50		2	6 560	14 600	177	114	102																	

Note: Rigidity values in this table are theoretical values derived from elastic displacement between screw grooves and balls when axial load is applied to a ball nut for which preload is set at 3% of the basic dynamic load rating ( $C_a$ ).  
The shape and dimension of ball screws with shaft diameters less than  $\phi 25$  are the same as NSK ball screws held in standard stock as the Compact FA Series.

Model No.	Screw shaft diameter $d$ (mm)	Lead $\ell$ (mm)	Effective turns of balls	Basic load rating		Axial rigidity (N/ $\mu$ m)	Ball nut dimensions (mm)									
				Dynamic $C_a$ (N)	Static $C_{oa}$ (N)		D	A	L	B	F	G	TYPE	W	X	
BSS3205-5E	32	5	5	17 500	52 900	672	56	86	60	18	12	37.5	34	III	71	M8
BSS3210-6E		10	6	43 300	111 000	865			104		75.5					
BSS3212-5E		12	5	36 700	90 800	716			103		74.5					
BSS3216-5E		16	5	36 700	90 800	716			122		93.5					
BSS3220-5E		20	5	36 700	90 800	708			141		112.5					
BSS3232-2E		32	2	15 300	32 400	261			94		65.5					
BSS3264-2E	64	2	15 300	32 400	232	153	124.5									
BSS3605-5E	36	5	5	18 400	59 500	740	65	95	60	22	12	37.5	36	IV	80	M8
BSS3610-6E		10	6	55 200	142 000	970			109		76.5					
BSS3612-6E		12	6	55 200	142 000	967			120		87.5					
BSS3616-6E		16	6	55 200	142 000	961			143		110.5					
BSS3620-6E	20	6	55 200	142 000	959	166	133.5									
BSS4010-6E	40	10	6	58 200	158 000	1 060	70	100	109	22	76.5	38.5	IV	85	M8	
BSS4012-6E		12	6	58 200	158 000	1 050			120		87.5					
BSS4016-6E		16	6	58 200	158 000	1 050			143		110.5					
BSS4020-6E		20	6	58 200	158 000	1 050			166		133.5					
BSS4025-4E		25	4	40 100	103 000	686			145		112.5					
BSS4030-3E		30	3	30 600	74 000	505			134		101.5					
BSS4040-2E		40	2	20 600	46 600	319			110		77.5					
BSS4080-2E		80	2	20 600	46 600	286			184		151.5					
BSS4510-6E	45	10	6	60 700	178 000	1 160	75	110	109	22	76.5	43	IV	93	M10	
BSS4512-6E		12	6	60 700	178 000	1 160			120		87.5					
BSS4516-6E		16	6	60 700	178 000	1 160			143		110.5					
BSS4520-6E		20	6	60 700	178 000	1 150			166		133.5					
BSS4525-5E		25	5	51 400	146 000	954			170		137.5					
BSS4530-4E		30	4	41 800	116 000	752			164		131.5					
BSS5010-6E	50	10	6	64 600	198 000	1 270	82	118	109	22	76.5	46	IV	100	M10	
BSS5012-6E		12	6	64 600	198 000	1 270			120		87.5					
BSS5016-6E		16	6	64 600	198 000	1 270			143		110.5					
BSS5020-6E		20	6	64 600	198 000	1 260			166		133.5					
BSS5025-5E		25	5	54 700	164 000	1 040			170		137.5					
BSS5030-5E		30	5	54 700	164 000	1 040			194		161.5					
BSS5050-2E		50	2	22 800	58 300	383			130		97.5					
BSS50100-2E		100	2	22 800	58 300	342			224		191.5					

Note: Rigidity values in this table are theoretical values derived from elastic displacement between screw grooves and balls when axial load is applied to a ball nut for which preload is set at 3% of the basic dynamic load rating ( $C_a$ ).

## Worldwide Sales Offices

<b>NSK Ltd. – Headquarters, Tokyo, Japan</b> www.nsk.com ASIA BUSINESS STRATEGIC DIVISION-HEADQUARTERS tel: 03-3779-7145 INDUSTRIAL MACHINERY BEARINGS DIVISION-HEADQUARTERS tel: 03-3779-7227 AUTOMOTIVE DIVISION-HEADQUARTERS tel: 03-3779-7189 NEEDLE ROLLER BEARINGS STRATEGIC DIVISION-HEADQUARTERS tel: 03-3779-2563 PRECISION MACHINERY & PARTS DIVISION-HEADQUARTERS tel: 03-3779-7219	<b>Korea:</b> NSK Korea Co., Ltd. Seoul Changwon Plant <b>Malaysia:</b> NSK Bearings (Malaysia) Sdn. Bhd. Kuala Lumpur tel: 03-7722-3373 NSK Micro Precision (M) Sdn. Bhd. Malaysia Plant tel: 03-8961-6288 <b>New Zealand:</b> NSK New Zealand Ltd. Auckland Auckland <b>Philippines:</b> NSK Representative Office Manila tel: 02-759-6246 <b>Singapore:</b> NSK International (Singapore) Pte Ltd. Singapore tel: 65-6278-1711 NSK Singapore (Pte) Ltd. www.nsk-singapore.com.sg tel: 65-6278-1711 <b>Taiwan:</b> Taiwan NSK Precision Co., Ltd. Taipei tel: 02-2509-3305 <b>Thailand:</b> NSK Bearings (Thailand) Co., Ltd. Bangkok tel: 02-6412-150 NSK Bearings Manufacturing (Thailand) Co., Ltd. tel: 038-454010-454016 Chonburi SIAM NSK Steering Systems Co., Ltd. Chachoengsao tel: 038-522-343-350 NSK Asia Pacific Technology Center (Thailand) Co., Ltd. tel: 038-454631-454633 <b>Vietnam:</b> NSK Representative Office Hanoi tel: 04-935-1269	<b>Netherlands:</b> NSK European Distribution Centre B.V. Tilburg tel: 013-4647647 <b>Poland:</b> NSK Europe Ltd. Warsaw Liaison Office Warsaw Liaison Office tel: 022-645-1525, 1526 NSK Iskra S.A. Kielce tel: 041-367-0505 NSK European Technology Center, Kielce tel: 041-366-5812 NSK Steering Systems Europe (Polska) Sp.zo.o Walbrzych tel: 074-664-4101 <b>Spain:</b> NSK Spain S.A. Barcelona tel: 093-289-27-63 <b>Turkey:</b> NSK Bearings Middle East Trading Co., Ltd. Istanbul tel: 0216-442-7106 <b>United Kingdom:</b> NSK Bearings Europe Ltd. Peterlee Plant tel: 0191-586-6111 NSK European Technology Centre Newark tel: 01636-605123 NSK UK Ltd. Newark tel: 01636-605123 NSK Precision UK Ltd. Newark tel: 01636-605123 NSK Steering Systems Europe Ltd. Coventry tel: 024-76-588588
<b>Africa</b> <b>South Africa:</b> NSK South Africa (Pty) Ltd. Johannesburg tel: 011-458-3600 <b>Asia and Oceania</b> <b>Australia:</b> NSK Australia Pty. Ltd. www.nskaustralia.com.au Melbourne tel: 03-9764-8302 <b>China:</b> NSK Hong Kong Ltd. Hong Kong tel: 2739-9933 Kunshan NSK Co., Ltd. Kunshan Plant tel: 0512-5771-5654 Changshu NSK Needle Bearing Co., Ltd. tel: 0512-5283-2938 Jiangsu Plant Guizhou HS NSK Bearings Co., Ltd. tel: 0853-3521505 Anshun Plant NSK Steering Systems Dongguan Co., Ltd. tel: 0769-262-0960 Dongguan Plant Zhangjiagang NSK Precision Machinery Co., Ltd. tel: 0512-5867-6496 Jiangsu Plant Timken-NSK Bearings (Suzhou) Co., Ltd. tel: 0512-6665-5666 Jiangsu Plant NSK China Technology Center Jiangsu tel: 0512-5771-5654 NSK (Shanghai) Trading Co., Ltd. Shanghai tel: 021-6235-0198 NSK Representative Offices Beijing tel: 010-6590-8161 Guangzhou tel: 020-3786-4833 Anshun tel: 0853-3522522 Chengdu tel: 028-8661-4200 Shenzhen tel: 0755-25904886 Changchun tel: 0431-8988682 NSK (China) Investment Co., Ltd. Shanghai tel: 021-6235-0198 <b>India:</b> Rane NSK Steering Systems Ltd. Chennai tel: 044-274-66002 NSK Ltd. India Blanch Office Chennai tel: 044-2446-6862 <b>Indonesia:</b> PT. NSK Bearings Manufacturing Indonesia Jakarta tel: 021-898-0155 PT. NSK Indonesia Jakarta tel: 021-252-3458	<b>Europe</b> <b>NSK Europe Ltd. (European Headquarters)</b> Maidenhead, U.K. www.eu.nsk.com tel: 01628-509800 <b>France:</b> NSK France S.A.S Paris tel: 01-30-57-39-39 <b>Germany:</b> NSK Deutschland GmbH Düsseldorf tel: 02102-481-0 NSK Precision Europe GmbH Düsseldorf tel: 02102-481-0 NSK Steering Systems Europe Ltd. Stuttgart tel: 0771-79082-277 Neueweg Fertigung GmbH Munderkingen tel: 07393-540 <b>Italy:</b> NSK Italia S.p.A. Milano tel: 02-995-19-1 Industria Cuscinetti S.p.A. Torino Plant tel: 0119824811	<b>North and South America</b> <b>NSK Americas, Inc. (American Headquarters)</b> Ann Arbor tel: 734-913-7500 <b>Argentina:</b> NSK Argentina SRL Buenos Aires tel: 11-4704-5100 <b>Brazil:</b> NSK Brasil Ltda. São Paulo www.br.nsk.com tel: 011-3269-4723 <b>Canada:</b> NSK Canada Inc. Toronto www.ca.nsk.com tel: 905-890-0740 <b>Mexico:</b> NSK Rodamientos Mexicana, S.A. de C.V. Mexico City www.mx.nsk.com tel: 55-5390-4312 <b>United States of America:</b> NSK Corporation Ann Arbor www.us.nsk.com tel: 734-913-7500 NSK American Technology Center Ann Arbor tel: 734-913-7500 NSK Precision America, Inc. www.npa.nsk.com tel: 317-738-5038 Franklin NSK Steering Systems America, Inc. www.nssa.nsk.com tel: 802-442-5448 Bennington, Vermont NSK Latin America, Inc. www.la.nsk.com tel: 305-477-0605 Miami

NSK Ltd. has a basic policy not to export any products or technology designated as controlled items by export-related laws. When exporting the products in this brochure, the laws of the exporting country must be observed. Specifications are subject to change without notice and without any obligation on the part of the manufacturer. Every care has been taken to ensure the accuracy of the data contained in this brochure, but no liability can be accepted for any loss or damage suffered through errors or omissions. We will gratefully acknowledge any additions or corrections.

For more information about NSK products, please contact: \_\_\_\_\_