

Table of Contents Pillow Blocks

Introduction
Ball Bearings
Cylindrical Roller Bearings
Spherical Roller Bearings
Tapered Roller Bearings
Thrust Bearings
Split Pillow Blocks
Super Precision Bearings
Linear Motion
Rolling Mill Bearings
Engineering Section

INTRODUCTION	
About NSK Pillow Block Housings	155
NOMENCLATURE/INTERCHANGE	
Pillow Block Nomenclature	156
APPLICATIONS	
Pillow block applications	157
PILLOW BLOCK TABLES	
SAF 000 Series	158
SAF 200 Series	160
SAF 300 Series	162
SAF 500 Series	164
SAF 600 Series	166
SDAF 000 Series	168
SDAF 200 Series	170
SDAF 300 Series	172
SDAF 500 Series	174
SDAF 600 Series	176
Inch Adapter Sleeves	178

Introduction

ABOUT NSK PILLOW BLOCK HOUSING

- SAF Pillow Blocks
- SAFS Pillow Blocks
- SDAF Pillow Blocks

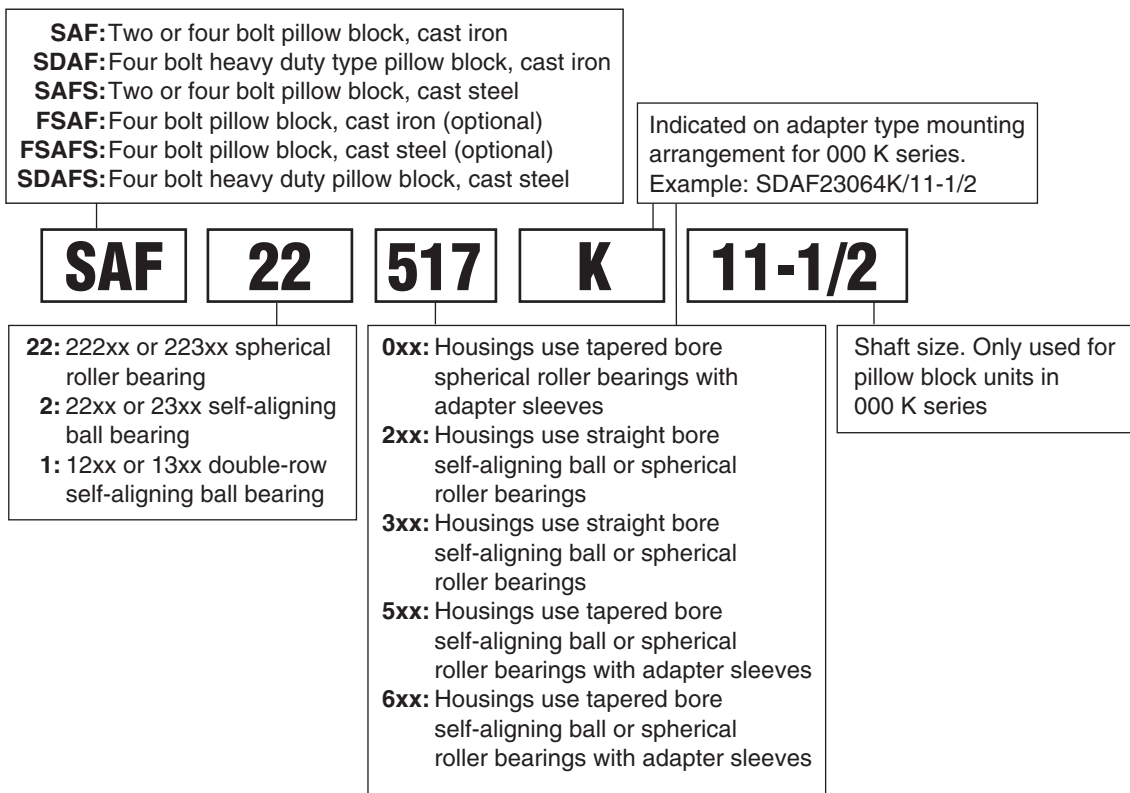
SAF Pillow Blocks are made of cast iron and accommodate self-aligning ball bearings or spherical roller bearings. SAF housings offer a choice of two or four bolt base mounting. LER triple ring seals are supplied as standard; but taconite seals and end covers are optional. SAF housings can be grease or oil lubricated.

SAFS Pillow Blocks are cast steel versions of the SAF block described above. The cast steel material offers greater strength and shock resistance for heavy-duty applications. SAFS housings offer a choice of two or four bolt base mounting. LER triple ring seals are supplied as standard; but taconite seals and end covers are optional.

SAFS housings have the same basic mounting dimensions as SAF housings but differ in some dimensions. SAFS blocks can be grease or oil lubricated.

SDAF Pillow Blocks are designed for applications where heavy thrust loads and shock require a housing of exceptionally sturdy construction. The four bolt cap and four bolt base of the heavy-duty SDAF are more than adequate to resist shock and heavy loading in any direction. The caps of these housings are supplied with tapped holes for lifting eyes. Triple ring seals are standard; but optional taconite seals and end covers are available. SDAF housings can be grease or oil lubricated.

Nomenclature — Pillow Blocks



Please refer to the bearing tables for exact part number options.

- Introduction
- Ball Bearings
- Cylindrical Roller Bearings
- Spherical Roller Bearings
- Tapered Roller Bearings
- Thrust Bearings
- Split Pillow Blocks
- Super Precision Bearings
- Linear Motion
- Rolling Mill Bearings
- Engineering Section

Pillow Block Applications

ABOUT NSK PILLOW BLOCKS

NSK Pillow Blocks are designed for exceptional performance in a wide range of applications. The pillow blocks are manufactured in a wide variety of sizes out of heavy-duty cast iron. They are also available in ductile and cast steel as an option. NSK pillow blocks are tremendous at keeping water and contaminants away from the bearing while keeping lubrication inside the housing. The housing comes standard with a triple-ring labyrinth seal; but for applications where contamination is a greater concern, taconite seals are available.

NSK Pillow Blocks are completely interchangeable with other manufacturers units.

- General Industry:
 - Conveyors
 - Roller Tables
 - Fans and Blowers
- Steel Mills:
 - Runout Tables
 - Strip Processing Lines
- Processing Industry:
 - Crushers
 - Hammer Mills
 - Ball and Rod Mills
 - Decanters
 - Kilns
- Paper Making Equipment:
 - Dryer Cans
 - Jack Ladders
 - Chip Conveyers
 - Pumps
 - Pulpers
 - Breast Rolls
 - Press Rolls

Pillow Block

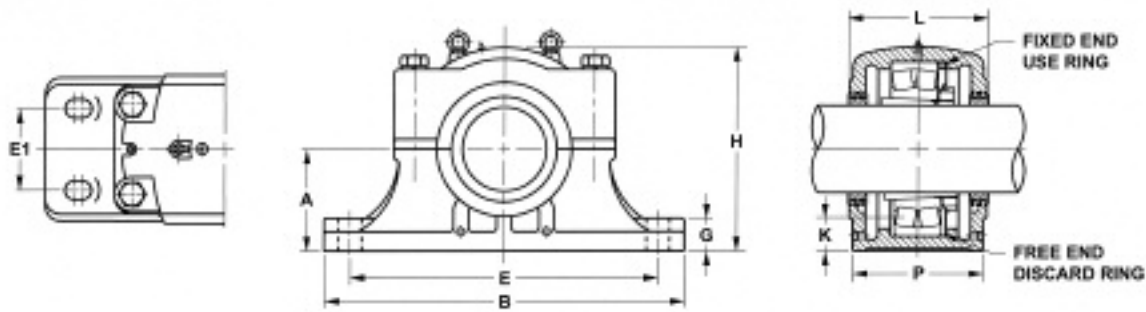
SAF 000K Series

Housing No.	A	B	P	G	E		E1	H	K Static Oil Level	L	Bolts (No. Req'd)	Wt.
	In.	In.	In.	In.	Max In.	Min In.	In.	In.	In.	In.	In.	lbs.*
SAF 024K/4-3/16	4-1/2	15-1/4	4-3/8	1-3/4	13-1/8	11-5/8	2-3/8	8-3/4	1-3/4	6	(4)--3/4	44
SAF 026K/4-7/16	4-15/16	16-1/2	4-3/4	2	14-1/2	12-5/8	2-3/4	9-5/8	1-7/8	6-1/2	(4)--3/4	54
SAF 028K/4-15/16	5-1/4	16-1/2	4-3/4	2-1/8	14-1/2	13-1/4	2-3/4	10-1/4	1-15/16	7-3/8	(4)--3/4	66
SAF 030K/5-3/16	6	18-3/8	5-1/8	2-3/8	16	14-5/8	3-1/4	11-9/16	2-7/16	8	(4)--7/8	96
SAF 032K/5-7/16	6	18-3/8	5-1/8	2-3/8	16	14-5/8	3-1/4	11-9/16	2-7/16	8	(4)--7/8	97
SAF 034K/5-15/16	6	20-1/8	5-7/8	2-3/8	17-1/8	16	3-3/8	11-3/4	2-1/8	7-5/8	(4)--1	120
SAF 036K/6-7/16	6-11/16	22	6-1/4	2-5/8	19-1/4	17-3/8	3-3/4	13-1/2	2-3/16	8-3/4	(4)--1	170
SAF 038K/6-15/16	6-11/16	22	6-1/4	2-5/8	19-1/4	17-3/8	3-3/4	13-1/2	2-3/16	8-3/4	(4)--1	162
SAF 040K/7-3/16	7-1/16	24-3/4	6-3/4	2-3/4	21-5/8	19-3/8	4-1/4	14-3/8	2-5/16	9-5/8	(4)--1	192
SAF 044K/7-15/16	7-7/8	28	7-1/2	3-1/8	24-3/8	21-5/8	4-1/2	15-7/8	2-5/8	10-5/8	(4)--1-1/4	300
SAF 048K/8-7/16	8-1/4	29-1/2	8	3-3/8	25	22-1/2	5	16-1/2	2-7/32	11-1/4	(4)--1-1/4	270
SAF 048K/8-1/2	8-1/4	29-1/2	8	3-3/8	25	22-1/2	5	16-1/2	2-7/32	11-1/4	(4)--1-1/4	270
SAF 048K/8-15/16	8-1/4	29-1/2	8	3-3/8	25	22-1/2	5	16-1/2	2-7/32	11-1/4	(4)--1-1/4	270
SAF 048K/9	8-1/4	29-1/2	8	3-3/8	25	22-1/2	5	16-1/2	2-7/32	11-1/4	(4)--1-1/4	270
SAF 052K/9-7/16	9-1/2	32-3/4	8-3/4	3-3/4	27-7/8	24-3/4	5-1/4	18-5/8	2-3/4	12	(4)--1-1/2	445
SAF 052K/9-1/2	9-1/2	32-3/4	8-3/4	3-3/4	27-7/8	24-3/4	5-1/4	18-5/8	2-3/4	12	(4)--1-1/2	445
SAF 056K/9-15/16	9-7/8	34-1/4	9	4	29-1/2	26-1/4	5-1/2	20-3/16	2-7/8	12-1/4	(4)--1-1/2	500
SAF 056K/10	9-7/8	34-1/4	9	4	29-1/2	26-1/4	5-1/2	20-3/16	2-7/8	12-1/4	(4)--1-1/2	500
SAF 056K/10-7/16	9-7/8	34-1/4	9	4	29-1/2	26-1/4	5-1/2	20-3/16	2-7/8	12-1/4	(4)--1-1/2	500
SAF 056K/10-1/2	9-7/8	34-1/4	9	4	29-1/2	26-1/4	5-1/2	20-3/16	2-7/8	12-1/4	(4)--1-1/2	500

*Weights are approximate

Application Data

Spherical Roller Bearings – page 78



Shaft Diameter S-1 in.	Complete Unit Number	Housing Only ^(a)	Bearing Number	Adapter Locknut and Lockwasher or Lockplate	Labrynth Seals (2 required)	Fixing Ring ^(b) (1 required)	End ^(c) Cover
4-3/16	SAF 23024K/4-3/16	SAF 024K/4-3/16	23024 K	SNW 3024 X 4-3/16	LER 113	FR180X10	EPR 14
4-7/16	SAF 23026K/4-7/16	SAF 026K/4-7/16	23026 K	SNW 3026 X 4-7/16	LER 117	FR200X10	EPR 15
4-15/16	SAF 23028K/4-15/16	SAF 028K/4-15/16	23028 K	SNW 3028 X 4-15/16	LER 122	SR-0-20	EPR 27
5-3/16	SAF 23030K/5-3/16	SAF 030K/5-3/16	23030 K	SNW 3030 X 5-3/16	LER 125	SR-0-21	EPR 16
5-7/16	SAF 23032K/5-7/16	SAF 032K/5-7/16	23032 K	SNW 3032 X 5-7/16	LER 130	FR240X10	EPR 16
5-15/16	SAF 23034K/5-15/16	SAF 034K/5-15/16	23034 K	SNW 3034 X 5-15/16	LER 140	FR260X10	EPR 18
6-7/16	SAF 23036K/6-7/16	SAF 036K/6-7/16	23036 K	SNW 3036 X 6-7/16	LER 148	FR280X10	EPR 19
6-15/16	SAF 23038K/6-15/16	SAF 038K/6-15/16	23038 K	SNW 3038 X 6-15/16	LER 155	FR290X10	EPR 20
7-3/16	SAF 23040K/7-3/16	SAF 040K/7-3/16	23040 K	SNW 3040 X 7-3/16	LER 159	FR310X10	EPR 21
7-15/16	SAF 23044K/7-15/16	SAF 044K/7-15/16	23044 K	SNW 3044 X 7-15/16	LER 167	FR340X10	EPR 23
8-7/16	SAF 23048K/8-7/16	SAF 048K/8-7/16	23048 K	SNP 3048 X 8-7/16	LER 550	A 8897	---
8-1/2	SAF 23048K/8-1/2	SAF 048K/8-1/2	23048 K	SNP 3048 X 8-1/2	LER 551	A 8897	---
8-15/16	SAF 23048K/8-15/16	SAF 048K/8-15/16	23048 K	SNP 3048 X 8-15/16	LER 552	A 8897	---
9	SAF 23048K/9	SAF 048K/9	23048 K	SNP 3048 X 9	LER 513	A 8897	---
9-7/16	SAF 23052K/9-7/16	SAF 052K/9-7/16	23052 K	SNP 3052 X 9-7/16	LER 553	A 8898	---
9-1/2	SAF 23052K/9-1/2	SAF 052K/9-1/2	23052 K	SNP 3052 X 9-1/2	LER 178	A 8898	---
9-15/16	SAF 23056K/9-15/16	SAF 056K/9-15/16	23056 K	SNP 3056 X 9-15/16	ER 751	A 8819	---
10	SAF 23056K/10	SAF 056K/10	23056 K	SNP 3056 X 10	ER 705	A 8819	---
10-7/16	SAF 23056K/10-7/16	SAF 056K/10-7/16	23056 K	SNP 3056 X 10-7/16	ER 745	A 8819	---
10-1/2	SAF 23056K/10-1/2	SAF 056K/10-1/2	23056 K	SNP 3056 X 10-1/2	ER 710	A 8819	---

Note: Housings available in cast iron (SAF), Ductile (SAFD) or cast steel (SAFS).
Taconite (TER) and LOR seals with O-rings are also available

- (a) "Housing Only" includes - cap, base, cap bolts, labyrinth seals and fixing rings
- (b) Fixing Ring is used for fixed block only; do not use for float mounting
- (c) End Cover is optional

Pillow Block

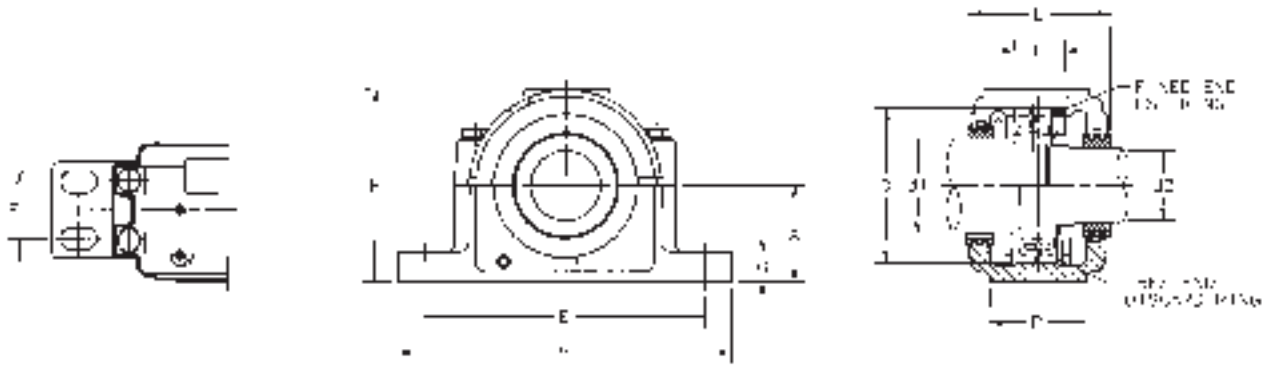
SAF 200 Series

Housing No.	A	B	P	G	E		E1	H	L	Bolts (No. Req'd)	Wt.	D	F	d1	d2
	In.	In.	In.	In.	Max In.	Min In.	In.	In.	In.	In.	lbs.*	mm	mm	In.	In.
SAF 216	3-1/2	13	3-1/2	1-1/4	11	9-5/8		6-15/16	5-3/8	(2)-3/4	22.9	140	43	3-5/8	3
FSAF 216	3-1/2	13	3-1/2	1-1/4	11	9-5/8	2-1/8	6-15/16	5-3/8	(4)-5/8	22.9	140	43	3-5/8	3
SAF 217	3-3/4	13	3-1/2	1-1/4	11	9-7/8		7-3/8	5-3/8	(2)-3/4	28.6	150	46	3-15/16	3-3/16
FSAF 217	3-3/4	13	3-1/2	1-1/4	11	9-7/8	2-1/8	7-3/8	5-3/8	(4)-5/8	28.6	150	46	3-15/16	3-3/16
SAF 218	4	13-3/4	3-7/8	1-5/16	11-5/8	10-3/8		7-3/4	5-3/4	(2)-3/4	34.5	160	50	4-1/8	3-3/8
FSAF 218	4	13-3/4	3-7/8	1-5/16	11-5/8	10-3/8	2-1/8	7-3/4	5-3/4	(4)-5/8	34.5	160	50	4-1/8	3-3/8
SAF 220	4-1/2	15-1/4	4-3/8	1-3/4	13-1/8	11-5/8		8-3/4	6	(2)-7/8	50.7	180	56	4-1/2	3-13/16
FSAF 220	4-1/2	15-1/4	4-3/8	1-3/4	13-1/8	11-5/8	2-3/8	8-3/4	6	(4)-3/4	50.7	180	56	4-1/2	3-13/16
SAF 222	4-15/16	16-1/2	4-3/4	2	14-1/2	12-5/8	2-3/4	9-5/8	6-1/2	(4)-3/4	64.8	200	63	4-7/8	4-3/16
SAF 224	5-1/4	16-1/2	4-3/4	2-1/8	14-1/2	13-1/4	2-3/4	10-1/4	7-3/8	(4)-3/4	68.3	215	68	5-5/16	4-9/16
SAF 226	6	18-3/8	5-1/8	2-3/8	16	14-5/8	3-1/4	11-1/2	8	(4)-7/8	103.1	230	74	5-7/8	4-15/16
SAF 228	6	20-1/8	5-7/8	2-3/8	17-1/8	16	3-3/8	11-3/4	7-5/8	(4)-1	113.1	250	78	6-1/4	5-5/16
SAF 230	6-5/16	21-1/4	6-1/4	2-1/2	18-1/4	17	3-3/4	12-1/2	8-3/8	(4)-1	146.7	270	83	6-5/8	5-3/4
SAF 232	6-11/16	22	6-1/4	2-5/8	19-1/4	17-3/8	3-3/4	13-5/16	8-3/4	(4)-1	169.7	290	90	7	6-1/16
SAF 234	7-1/16	24-3/4	6-3/4	2-3/4	21-5/8	19-3/8	4-1/4	14-3/16	9-5/8	(4)-1	179.3	310	96	7-7/16	6-7/16
SAF 236	7-1/2	26-3/4	7-1/8	3	23-5/8	20-7/8	4-5/8	14-7/8	10	(4)-1	212.1	320	96	7-13/16	6-7/8
SAF 238	7-7/8	28	7-1/2	3-1/8	24-3/8	21-5/8	4-1/2	15-11/16	10-3/4	(4)-1 1/4	284.8	340	102	8-3/8	7-1/4
SAF 240	8-1/4	29-1/2	8	3-3/8	25	22-1/2	5	16-1/2	11-1/4	(4)-1 1/4	342.3	360	108	8-3/4	7-5/8
SAF 244	9-1/2	32-3/4	8-3/4	3-3/4	27-7/8	24-3/4	5-1/4	18-5/8	12	(4)-1 1/2	425.5	400	118	9-9/16	8-5/16

*Weights are approximate

Application Data

Spherical Roller Bearings – page 70



Shaft		Complete Unit Number	Housing Only ^(a)	Bearing Number	Locknut	Lockwasher	Labrynth Seals		Fixing Ring ^(b)		End Cover ^(c)
D1	D2						D1	D2	Size	Qty.	
3-5/8	3	SAF 1216	SAF 216	1216	AN 16	W 16	LER 82	LER 54	FR140X8.5	2	EPR 09
		SAF 2216	FSAF 216	2216					FR140X10	1	
		SAF 22216		22216					FR140X10	1	
3-15/16	3-3/16	SAF 1217	SAF 217	1217	AN 17	W 17	LER 89	LER 63	FR150X9	2	EPR 09
		SAF 2217	FSAF 217	2217					FR150X10	1	
		SAF 22217		22217					FR150X10	1	
4-1/8	3-3/8	SAF 1218	SAF 218	1218	AN 18	W 18	LER 112	LER 191	FR 160X10	2	EPR 11
		SAF 2218	FSAF 218	2218					FR 160X10	1	
		SAF 22218		22218					FR 160X10	1	
4-1/2	3-13/16	SAF 1220	SAF 220	1220	AN 20	W 20	LER 118	LER 106	FR180X11	2	EPR 12
		SAF 2220	FSAF 220	2220					FR180X10	1	
		SAF 22220		22220					FR180X10	1	
4-7/8	4-3/16	SAF 1222	SAF 222	1222	AN 22	W 22	LER 121	LER 113	FR200X12.5	2	EPR 14
		SAF 2222		2222					FR200X10	1	
		SAF 22222		22222					FR200X10	1	
5-5/16	4-9/16	SAF 22224	SAF 224	22224	AN 24	W 24	LER 127	LER 119	FR215X10	1	EPR 15
5-7/8	4-15/16	SAF 22226	SAF 226	22226	AN 26	W 26	LER 136	LER 122	FR230X10	1	EPR 27
6-1/4	5-15/16	SAF 22228	SAF 228	22228	AN 28	W 28	LER 144	LER 127	FR250X10	1	EPR 16
6-5/8	5-3/4	SAF 22230	SAF 230	22230	AN 30	W 30	LER 151	LER 134	FR270X10	1	EPR 17
7	6-1/16	SAF 22232	SAF 232	22232	AN 32	W 32	LER 156	LER 142	FR290X10	1	EPR 18
7-7/16	6-7/16	SAF 22234	SAF 234	22234	AN 34	W 34	LER 161	LER 148	FR310X10	1	EPR 19
7-13/16	6-7/8	SAF 22236	SAF 236	22236	AN 36	W 36	LER 165	LER 154	FR320X10	1	EPR 20
8-3/8	7-1/4	SAF 22238	SAF 238	22238	AN 38	W 38	LER 171	LER 160	FR340X10	1	EPR 21
8-3/4	7-5/8	SAF 22240	SAF 240	22240	AN 40	W 40	LER 175	LER 164	FR360X10	1	EPR 22
9-9/16	8-5/16	SAF 22244	SAF 244	22244	AN 44	W 44	LER 179	LER 170	FR400X10	1	EPR 24

Note: Housings available in cast iron (SAF), Ductile (SAFD) or cast steel (SAFS).
Taconite (TER) and LOR seals with O-rings are also available

- (a) "Housing Only" includes - cap, base, cap bolts, labyrinth seals and fixing rings
- (b) Fixing Ring is used for fixed block only; do not use for float mounting
- (c) End Cover is optional

Introduction

Ball Bearings

Cylindrical Roller Bearings

Spherical Roller Bearings

Tapered Roller Bearings

Thrust Bearings

Split Pillow Blocks

Super Precision Bearings

Linear Motion

Rolling Mill Bearings

Engineering Section

Pillow Block

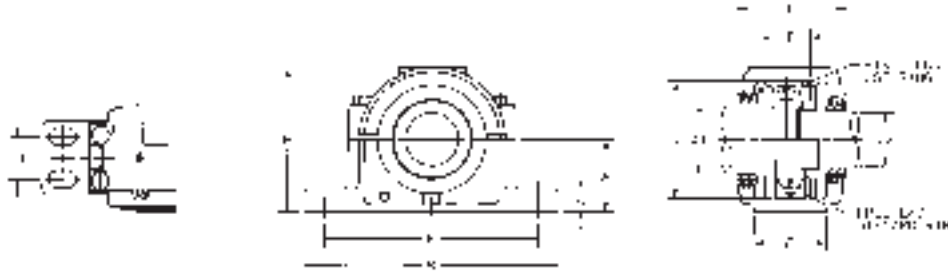
SAF 300 Series

Housing No.	A	B	P	G	E		E1	H	L	Bolts (No. Req'd)	Wt.	D	F	d1	d2
	In.	In.	In.	In.	Max In.	Min In.	In.	In.	In.	In.	lbs.*	mm	mm	In.	In.
SAF 308	2-1/2	8-1/4	2-3/8	1	7	6-1/2		4-13/16	4	(2)-1/2	11.2	90	42.8	1-15/16	1-7/16
SAF 309	2-3/4	9-5/8	2-3/4	1	7-7/8	7-3/8		5-5-16	4-1/4	(2)-5/8	14.3	100	46	2-1/8	1-11/16
SAF 310	3	10-5/8	2-3/4	1-1/8	9	7-3/4		5-13/16	4-5/8	(2)-5/8	17.8	110	51	2-3/8	1-7/8
SAF 311	3-1/4	11	3-1/8	1-3/16	9-1/2	8-1/8		6-3/16	5	(2)-5/8	20.2	120	53	2-9/16	2-1/16
FSAF 311	3-1/4	11	3-1/8	1-3/16	9-1/2	8-1/8	2	6-3/16	5	(4)-1/2	20.2	120	53	2-9/16	2-1/16
SAF 313	3-1/2	13	3-1/2	1-1/4	11	9-5/8		6-15/16	5-3/8	(2)-3/4	28.6	140	58	3-1/16	2-7/16
FSAF 313	3-1/2	13	3-1/2	1-1/4	11	9-5/8	2-1/8	6-15/16	5-3/8	(4)-5/8	28.6	140	58	3-1/16	2-7/16
SAF 314	3-3/4	13	3-1/2	1-1/4	11	9-7/8		7-3/8	5-3/8	(2)-3/4	32.3	150	63	3-1/4	2-5/8
FSAF 314	3-3/4	13	3-1/2	1-1/4	11	9-7/8	2-1/8	7-3/8	5-3/8	(4)-5/8	32.3	150	63	3-1/4	2-5/8
SAF 315	4	13-3/4	3-7/8	1-5/16	11-5/8	10-3/8		7-13/16	6-1/4	(2)-3/4	39.6	160	65	3-7/16	2-13/16
FSAF 315	4	13-3/4	3-7/8	1-5/16	11-5/8	10-3/8	2-1/8	7-13/16	6-1/4	(4)-5/8	39.6	160	65	3-7/16	2-13/16
SAF 316	4-1/4	14-1/4	3-7/8	1-5/16	12-5/8	10-5/8		8-1/4	6-1/2	(2)-3/4	49.8	170	68	3-5/8	3
FSAF 316	4-1/4	14-1/4	3-7/8	1-5/16	12-5/8	10-5/8	2-1/8	8-1/4	6-1/2	(4)-5/8	49.8	170	68	3-5/8	3
SAF 317	4-1/2	15-1/4	4-3/8	1-3/4	13-1/8	11-5/8		8-3/4	6-3/4	(2)-7/8	53.7	180	70	3-15/16	3-3/16
FSAF 317	4-1/2	15-1/4	4-3/8	1-3/4	13-1/8	11-5/8	2-3/8	8-3/4	6-3/4	(4)-3/4	53.7	180	70	3-15/16	3-3/16
SAF 318	4-3/4	15-1/2	4-3/8	2	13-1/2	12	2-1/4	9-3/16	6-7/8	(4)-3/4	59	190	74	4-1/8	3-3/8
SAF 320	5-1/4	16-1/2	4-3/4	2-1/8	14-1/2	13-1/4	2-3/4	10-1/4	7-3/8	(4)-3/4	81.3	215	83	4-1/2	3-13/16
SAF 322	6	18-3/8	5-1/8	2-3/8	16	14-5/8	3-1/4	11-1/2	8	(4)-7/8	96.5	240	90	4-7/8	4-3/16
SAF 324	6-5/16	21-1/4	6-1/4	2-1/2	18-1/4	17	3-3/4	12-1/2	8-3/8	(4)-1	142.1	260	96	5-5/16	4-9/16
SAF 326	6-11/16	22	6-1/4	2-5/8	19-1/4	17-3/8	3-3/4	13-5/16	8-3/4	(4)-1	176.3	280	103	5-7/8	4-15/16
SAF 328	7-1/16	24-3/4	6-3/4	2-3/4	21-5/8	19-3/8	4-1/4	14-3/16	9-5/8	(4)-1	207.8	300	112	6-1/4	5-5/16
SAF 330	7-1/2	26-3/4	7-1/8	3	23-5/8	20-7/8	4-5/8	14-7/8	9-3/4	(4)-1	249.1	320	118	6-5/8	5-3/4
SAF 332	7-7/8	28	7-1/2	3-1/8	24-3/8	21-5/8	4-1/2	15-11/16	10-3/4	(4)-1 1/4	289.6	340	124	7	6-1/16
SAF 334	8-1/4	29-1/2	8	3-3/8	25	22-1/2	5	16-1/2	11-1/4	(4)-1 1/4	345.3	360	130	7-7/16	6-7/16
SAF 336	8-7/8	31-1/4	8-1/4	3-1/2	26-5/8	24	5-1/4	17-3/4	11-3/8	(4)-1 1/4	389.2	380	136	7-13/16	6-7/8
SAF 338	9-1/2	32-3/4	8-3/4	3-3/4	27-7/8	24-3/4	5-1/4	18-5/8	12	(4)-1 1/2	436.5	400	142	8-3/8	7-1/4
SAF 340	9-7/8	34-1/4	9	4	29-1/2	26-1/4	5-1/2	20	12-1/16	(4)-1 1/2	478.6	420	148	8-3/4	7-5/8

*Weights are approximate

Application Data

Spherical Roller Bearings – page 74



Shaft		Complete Unit Number	Housing Only ^(a)	Bearing Number	Locknut	Lockwasher	Labrynth Seals		Fixing Ring ^(b)		End Cover ^(c)
D1	D2						D1	D2	Size	Qty.	
1-15/16	1-7/16	SAF 1308	SAF 308	1308	N 08	W 08	LER 24	LER 17	FR90X10	2	EPR 03
		SAF 2308		2308					FR90X10	1	
		SAF 21308		21308					FR90X10.2	2	
		SAF 22308		22308					FR90X10	1	
2-1/8	1-11/16	SAF 1309	SAF 309	1309	N 09	W 09	LER 28	LER 20	FR100X10.5	2	EPR 04
		SAF 2309		2309					FR100X10	1	
		SAF 21309		21309					FR100X10.5	2	
		SAF 22309		22309					FR100X10	1	
2-3/8	1-7/8	SAF 1310	SAF 310	1310	N 10	W 10	LER 35	LER 23	FR110X11.5	2	EPR 05
		SAF 2310		2310					FR110X10	1	
		SAF 21310		21310					FR110X11.5	2	
		SAF 22310		22310					FR110X10	1	
2-9/16	2-1/16	SAF 1311	SAF 311	1311	N 11	W 11	LER 40	LER 27	FR120X12	2	EPR 06
		SAF 2311		2311					FR120X10	1	
		SAF 21311		21311					FR120X12	2	
		SAF 22311		22311					FR120X10	1	
3-1/16	2-7/16	SAF 1313	SAF 313	1313	N 13	W 13	LER 55	LER 37	FR140X12.5	2	EPR 07
		SAF 2313		2313					FR140X10	1	
		SAF 21313		21313					FR140X12.5	2	
		SAF 22313		22313					FR140X10	1	
3-1/4	2-5/8	SAF 1314	SAF 314	1314	N 14	W 14	TS314X3-1/4	TS314X2-5/8	FR150X12.5	2	---
		SAF 2314		2314					FR150X10	1	
		SAF 21314		21314					FR150X12.5	2	
		SAF 22314		22314					FR150X10	1	
3-7/16	2-13/16	SAF 1315	SAF 315	1315	N 15	W 15	LER 79	LER 46	FR160X14	2	EPR 08
		SAF 2315		2315					FR160X10	1	
		SAF 21315		21315					FR160X14	2	
		SAF 22315		22315					FR160X10	1	
3-5/8	3	SAF 1316	SAF 316	1316	AN 16	W 16	LER 84	LER 60	FR170X14.5	2	EPR 10
		SAF 2316		2316					FR170X10	1	
		SAF 21316		21316					FR170X14.5	2	
		SAF 22316		22316					FR170X10	1	
3-15/16	3-3/16	SAF 1317	SAF 317	1317	AN 17	W 17	LER 109	LER 188	FR180X14.5	2	EPR 11
		SAF 2317		2317					FR180X10	1	
		SAF 21317		21317					FR180X14.5	2	
		SAF 22317		22317					FR180X10	1	
4-1/8	3-3/8	SAF 1318	SAF 318	1318	AN 18	W 18	LER 112	LER 191	FR190X15.5	2	EPR 11
		SAF 2318		2318					FR190X10	1	
		SAF 21318		21318					FR190X15.5	2	
		SAF 22318		22318					FR190X10	1	
4-1/2	3-13/16	SAF 1320	SAF 320	1320	AN 20	W 20	LER 118	LER 106	FR215X18	2	EPR 12
		SAF 2320		2320					FR215X10	1	
		SAF 21320		21320					FR215X18	2	
		SAF 22320		22320					FR215X10	1	
4-7/8	4-3/16	SAF 1322	SAF 322	1322	AN 22	W 22	LER 121	LER 113	FR240X20	2	EPR 14
		SAF 2322		2322					FR240X20	2	
		SAF 21322		21322					FR240X10	1	
		SAF 22322		22322					FR240X10	1	
5-5/16	4-9/16	SAF 22324	SAF 324	22324	AN 24	W 24	LER 127	LER 119	FR260X10	1	EPR 15
5-7/8	4-15/16	SAF 22326	SAF 326	22326	AN 26	W 26	LER 136	LER 122	FR280X10	1	EPR 27
6-1/4	5-15/16	SAF 22328	SAF 328	22328	AN 28	W 28	LER 144	LER 127	FR300X10	1	EPR 16
6-5/8	5-3/4	SAF 22330	SAF 330	22330	AN 30	W 30	LER 151	LER 134	FR320X10	1	EPR 17
7	6-1/16	SAF 22332	SAF 332	22332	AN 32	W 32	LER 156	LER 142	FR340X10	1	EPR 18
7-7/16	6-7/16	SAF 22334	SAF 334	22334	AN 34	W 34	LER 161	LER 148	FR360X10	1	EPR 19
7-13/16	6-7/8	SAF 22336	SAF 336	22336	AN 36	W 36	LER 165	LER 154	FR380X10	1	---
8-3/8	7-1/4	SAF 22338	SAF 338	22338	AN 38	W 38	LER 171	LER 160	FR400X10	1	EPR 21
8-3/4	7-5/8	SAF 22340	SAF 340	22340	AN 40	W 40	LER 175	LER 164	FR420X10	1	---

Note: Housings available in cast iron (SAF), Ductile (SAFD) or cast steel (SAFS).

Taconite (TER) and LOR seals with O-rings are also available

(a) "Housing Only" includes - cap, base, cap bolts, labyrinth seals and fixing rings

(b) Fixing Ring is used for fixed block only; do not use for float mounting

(c) End Cover is optional

Introduction

Ball Bearings

Cylindrical Roller Bearings

Spherical Roller Bearings

Tapered Roller Bearings

Thrust Bearings

Split Pillow Blocks

Super Precision Bearings

Linear Motion

Rolling Mill Bearings

Engineering Section

Pillow Block

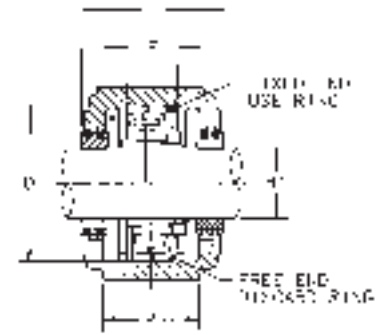
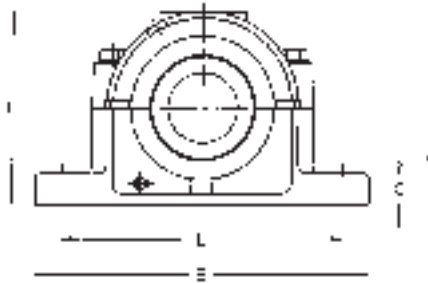
SAF 500 Series

Housing No.	A	B	P	G	E		E1	H	L	X	Bolts (No. Req'd)	Wt.	D	F	d1
	In.	In.	In.	In.	Max In.	Min In.	In.	In.	In.	In.	In.	lbs.*	mm	mm	In.
SAF 507	2	7-1/2	2	7/8	6-1/8	5-5/8		3-7/8	3-1/4	1	(2)-1/2	7.2	80	8	1-3/16
SAF 509	2-1/4	8-1/4	2-3/8	13/16	7	6-1/4		4-3/8	3-5/8	.114	(2)-1/2	9.3	85	29	1-7/16
SAF 510	2-1/2	8-1/4	2-3/8	15/16	7	6-1/2		4-3/4	3-5/8	.133	(2)-1/2	10.2	90	30	1-11/16
SAF 511	2-3/4	9-5/8	2-3/4	15/16	7-7/8	7-3/8		5-1/4	3-7/8	.114	(2)-5/8	12.5	3100	31	1-15/16
SAF 513	3	11	3-1/8	1	9-1/2	8-1/8		5-15/16	4-1/2	.157	(2)-5/8	18.3	120	39	2-3/16
FSAF 513	3	11	3-1/8	1	9-1/2	8-1/8	2	5-15/16	4-1/2	.157	(4)-1/2	18.3	120	39	2-3/16
SAF 515	3-1/4	11-1/4	3-1/8	1-1/8	9-5/8	8-5/8		6-3/8	4-3/4	.118	(2)-5/8	18.3	130	37	2-7/16
FSAF 515	3-1/4	11-1/4	3-1/8	1-1/8	9-5/8	8-5/8	1-7/8	6-3/8	4-3/4	.118	(4)-1/2	18.3	130	37	2-7/16
SAF 516	3-1/2	13	3-1/2	1-3/16	11	9-5/8		6-7/8	4-7/8	.187	(2)-3/4	26.9	140	43	2-11/16
FSAF 516	3-1/2	13	3-1/2	1-3/16	11	9-5/8	2-1/8	6-7/8	4-7/8	.187	(4)-5/8	26.9	140	43	2-11/16
SAF 517	3-3/4	13	3-1/2	1-1/4	11	9-7/8		7-5/16	5	.187	(2)-3/4	29.8	150	46	2-15/16
FSAF 517	3-3/4	13	3-1/2	1-1/4	11	9-7/8	2-1/8	7-5/16	5	.187	(4)-5/8	29.8	150	46	2-15/16
SAF 518	4	13-3/4	3-7/8	1-5/16	11-5/8	10-3/8		7-3/4	5-3/4	.187	(2)-3/4	36.6	160	50	3-3/16
FSAF 518	4	13-3/4	3-7/8	1-5/16	11-5/8	10-3/8	2-1/8	7-3/4	5-3/4	.187	(4)-5/8	36.6	160	50	3-3/16
SAF 520	4-1/2	15-1/4	4-3/8	1-3/4	13-1/8	11-5/8		8-3/4	6-1/8	.187	(2)-7/8	50.2	180	56	3-7/16
FSAF 520	4-1/2	15-1/4	4-3/8	1-3/4	13-1/8	11-5/8	2-3/8	8-3/4	6-1/8	.187	(4)-3/4	50.2	180	56	3-7/16
SAF 522	4-15/16	16-1/2	4-3/4	2	14-1/2	12-5/8	2-3/4	9-5/8	6-1/2	.187	(4)-3/4	60.1	200	63	3-15/16
SAF 524	5-1/4	16-1/2	4-3/4	2-1/8	14-1/2	13-1/4	2-3/4	10-1/4	7-3/8	.187	(4)-3/4	71.2	215	68	4-3/16
SAF 526	6	18-3/4	5-1/8	2-3/8	16	14-5/8	3-1/4	11-1/2	8	.187	(4)-4/8	94.7	230	74	4-7/16
SAF 528	6	20-1/8	5-7/8	2-3/8	17-1/8	16	3-3/8	11-3/4	7-5/8	.187	(4)-1	110.2	250	78	4-15/16
SAF 530	6-5/16	21-1/4	6-1/4	2-1/2	18-1/4	17	3-3/4	12-1/2	8-3/8	.187	(4)-1	137.9	270	83	5-3/16
SAF 532	6-11/16	22	6-1/4	2-5/8	19-1/4	17-3/8	3-3/4	13-5/16	8-3/4	.187	(4)-1	157.6	290	90	5-7/16
SAF 534	7-1/16	24-3/4	6-3/4	2-3/4	21-5/8	19-3/8	4-1/4	14-3/16	9-5/8	.187	(4)-1	184.6	310	96	5-15/16
SAF 536	7-1/2	26-3/4	7-1/8	3	23-5/8	20-7/8	4-5/8	14-7/16	10	.187	(4)-1	217.1	320	96	6-7/16
SAF 538	7-7/8	28	7-1/2	3-1/8	24-3/8	21-5/8	4-1/2	15-11/16	10-3/4	.187	(4)-1 1/4	285	340	102	6-15/16
SAF 540	8-1/4	29-1/2	8	3-3/8	25	22-1/2	5	16-1/2	11-1/4	.187	(4)-1 1/4	330	360	108	7-3/16
SAF 544	9-1/2	32-3/4	8-3/4	3-3/4	27-7/8	24-3/4	5-1/4	18-5/8	12	.187	(4)-1 1/2	391.3	400	111	7-15/16

*Weights are approximate

Application Data

Spherical Roller Bearings – page 70



Shaft Size	Complete Unit Number	Housing Only ^(a)	Bearing Number	Adapters		Labrynth Seals		Fixing Ring ^(b)		End Cover ^(c)
				SNW Type	H Type	LER	Tactonite	Size	Qty.	
1-3/16	SAF 1507	SAF 507	1207K	SNW 07X1-3/16	HA 207X1-3/16	LER 13	---	FR72X8	2	---
	SAF 2507		2207K	SNW 07X1-3/16	HA 307X1-3/16			FR72X10	1	
1-7/16	SAF 1509	SAF 509	1209K	SNW 09X1-7/16	HA 209X1-7/16	LER 17	TER 17	FR85X5	2	EPR 03
	SAF 2509		2209K	SNW 09X1-7/16	HA 309X1-7/16			FR85X6	1	
1-11/16	SAF 1510	SAF 510	1210K	SNW 10X1-11/16	HA 210X1-11/16	LER 20	TER 20	FR90X5	2	EPR 04
	SAF 2510		2210K	SNW 10X1-11/16	HA 310X1-11/16			FR90X7	1	
1-15/16	SAF 1511	SAF 511	1211K	SNW 11X1-15/16	HA 211X1-15/16	LER 24	TER 24	FR100X5	2	EPR 05
	SAF 2511		2211K	SNW 11X1-15/16	HA 311X1-15/16			FR100X6	1	
2-3/16	SAF 1513	SAF 513	1213K	SNW 13X2-3/16	HA 213X2-3/16	LER 29	TER 29	FR120X8	2	EPR 06
	SAF 2513		FSAF 513	2213K	SNW 13X2-3/16			HA 313X2-3/16	FR120X8	
2-7/16	SAF 1515	SAF 515	1215K	SNW 15X2-7/16	HA 215X2-7/16	LER 37	TER 37	FR130X6	2	EPR 07
	SAF 2515		FSAF 515	2215K	SNW 15X2-7/16			HA 315X2-7/16	FR130X6	
2-11/16	SAF 1516	SAF 516	1216K	SNW 16X2-11/16	HA 216X2-11/16	LER 44	TER 44	FR140X8.5	2	EPR 08
	SAF 2516		FSAF 516	2216K	SNW 16X2-11/16			HA 316X2-11/16	FR140X10	
2-15/16	SAF 1517	SAF 517	1217K	SNW 17X2-15/16	HA 217X2-15/16	LER 53	TER 53	FR150X9	2	EPR 09
	SAF 2517		FSAF 517	2217K	SNW 17X2-15/16			HA 317X2-15/16	FR150X10	
3-3/16	SAF 1518	SAF 518	1218K	SNW 18X3-3/16	HA 218X3-3/16	LER 188	TER 188	FR160X10	2	EPR 11
	SAF 2518		FSAF 518	2218K	SNW 18X3-3/16			HA 318X3-3/16	FR160X10	
3-7/16	SAF 1520	SAF 520	1220K	SNW 20X3-7/16	HA 220X3-7/16	LER 102	TER 102	FR180X11	2	EPR 12
	SAF 2520		FSAF 520	2220K	SNW 20X3-7/16			HA 320X3-7/16	FR180X10	
3-15/16	SAF 1522	SAF 522	1222K	SNW 22X3-15/16	HA 222X3-15/16	LER 109	TER 109	FR200X12.5	2	EPR 13
	SAF 2522		2222K	SNW 22X3-15/16	HA 322X3-15/16			FR200X10	1	
4-3/16	SAF 22524	SAF 524	22224K	SNW 24X4-3/16	HA 3124X4-3/16	LER 113	TER 113	FR215X10	1	EPR 14
4-7/16	SAF 22526	SAF 526	22226K	SNW 26X4-7/16	HA 3126X4-7/16	LER 117	TER 117	FR230X10	1	EPR 15
4-15/16	SAF 22528	SAF 528	22228K	SNW 28X4-15/16	HA 3128X4-15/16	LER 122	TER 122	FR250X10	1	EPR 27
5-3/16	SAF 22530	SAF 530	22230K	SNW 30X5-3/16	HA 3130X5-3/16	LER 125	TER 125	FR270X10	1	EPR 16
5-7/16	SAF 22532	SAF 532	22232K	SNW 32X5-7/16	HA 3132X5-7/16	LER 130	TER 130	FR290X10	1	EPR 16
5-15/16	SAF 22534	SAF 534	22234K	SNW 34X5-15/16	HA 3134X5-15/16	LER 140	TER 140	FR310X10	1	EPR 18
6-7/16	SAF 22536	SAF 536	22236K	SNW 36X6-7/16	HA 3136X6-7/16	LER 148	TER 148	FR320X10	1	EPR 19
6-15/16	SAF 22538	SAF 538	22238K	SNW 38X6-15/16	HA 3138X6-15/16	LER 155	TER 155	FR340X10	1	EPR 20
7-3/16	SAF 22540	SAF 540	22240K	SNW 40X7-3/16	HA 3140X7-3/16	LER 159	TER 159	FR360X10	1	EPR 20
7-15/16	SAF 22544	SAF 544	22244K	SNW 44X7-15/16	HA 3144X7-15/16	LER 167	TER 167	FR400X10	1	EPR 20

Note: Housings available in cast iron (SAF), Ductile (SAFD) or cast steel (SAFS).

LOR seals with O-rings are also available

(a) "Housing Only" includes - cap, base, cap bolts, labyrinth seals and fixing rings

(b) Fixing Ring is used for fixed block only; do not use for float mounting

(c) End Cover is optional

Introduction

Ball Bearings

Cylindrical Roller Bearings

Spherical Roller Bearings

Tapered Roller Bearings

Thrust Bearings

Split Pillow Blocks

Super Precision Bearings

Linear Motion

Rolling Mill Bearings

Engineering Section

Pillow Block

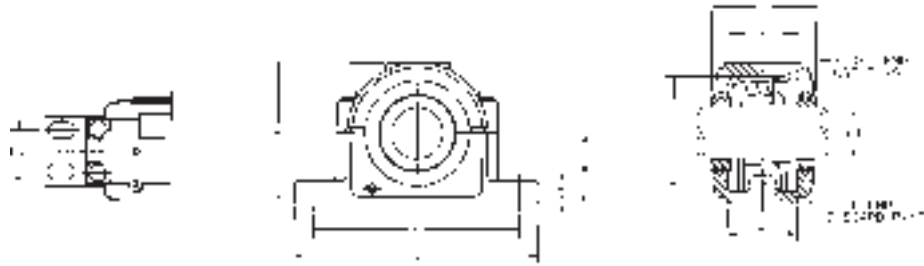
SAF 600 Series

Housing No.	A	B	P	G	E		E1	H	L	Bolts (No. Req'd)	Wt.	D	F	d1
	In.	In.	In.	In.	Max In.	Min In.	In.	In.	In.	In.	lbs.*	mm	mm	In.
SAF 609	2-3/4	9-5/8	2-3/4	1	7-7/8	7-3/8		5-5/16	4-1/4	(2)-5/8	12.1	100	46	1-7/16
SAF 610	3	10-5/8	2-3/4	1-1/8	9	7-3/4		5-13/16	4-5/8	(2)-5/8	16.8	110	51	1-11/16
SAF 611	3-1/4	11	3-1/3	1-3/16	9-1/2	8-1/8		6-3/16	4-7/8	(2)-5/8	20.2	120	53	1-15/16
FSAF 611	3-1/4	11	3-1/3	1-3/16	9-1/2	8-1/8	2	6-3/16	4-7/8	(4)-1/2	20.2	120	53	1-15/16
SAF 613	3-1/2	13	3-1/2	1-1/4	11	9-5/8		6-15/16	5-3/8	(2)-3/4	28.7	140	58	2-3/16
FSAF 613	3-1/2	13	3-1/2	1-1/4	11	9-5/8	2-1/8	6-15/16	5-3/8	(4)-5/8	28.7	140	58	2-3/16
SAF 615	4	13-3/4	3-7/8	1-5/16	11-5/8	10-3/8		7-3/4	6-1/4	(2)-3/4	36.9	160	65	2-7/16
FSAF 615	4	13-3/4	3-7/8	1-5/16	11-5/8	10-3/8	2-1/8	7-3/4	6-1/4	(4)-5/8	36.9	160	65	2-7/16
SAF 616	4-1/4	14-1/4	3-7/8	1-5/16	12-5/8	10-5/8		8-1/4	6-1/2	(2)-3/4	47.6	170	68	2-11/16
FSAF 616	4-1/4	14-1/4	3-7/8	1-5/16	12-5/8	10-5/8	2-1/8	8-1/4	6-1/2	(4)-5/8	47.6	170	68	2-11/16
SAF 617	4-1/2	15-1/4	4-3/8	1-3/4	13-1/8	11-5/8		8-3/4	6-3/4	(2)-7/8	57.4	180	70	2-15/16
FSAF 617	4-1/2	15-1/4	4-3/8	1-3/4	13-1/8	11-5/8	2-3/8	8-3/4	6-3/4	(4)-3/4	57.4	180	70	2-15/16
SAF 618	4-3/4	15-1/2	4-3/8	2	13-1/2	12	2-1/4	9-3/16	6-7/8	(4)-3/4	62.8	190	74	3-3/16
SAF 620	5-1/4	16-1/2	4-3/4	2-1/8	14-1/2	13-1/4	2-3/4	10-1/4	7-3/8	(4)-3/4	77.1	215	83	3-7/16
SAF 622	6	18-3/8	5-1/8	2-3/8	16	14-5/8	3	11-1/2	8	(4)-7/8	107.4	240	90	3-15/16
SAF 624	6-5/16	21-1/4	6-1/4	2-1/2	18-1/4	17	3-3/4	12-1/2	8-3/8	(4)-1	145.9	260	96	4-3/16
SAF 626	6-11/16	22	6-1/4	2-5/8	19-1/4	17-3/8	3-3/4	13-5-16	8-3/4	(4)-1	164.7	280	103	4-7/16
SAF 628	7-1/16	24-3/4	6-3/4	2-3/4	21-5/8	19-3/8	4-1/4	14-3/16	9-5/8	(4)-1	192.9	300	112	4-15/16
SAF 630	7-1/2	26-3/4	7-1/8	3	23-5/8	20-7/8	4-5/8	14-7/8	9-3/4	(4)-1	259.5	320	116	5-3/16
SAF 632	7-7/8	28	7-1/2	3-1/8	24-3/8	21-5/8	4-1/2	15-11/16	10-3/4	(4)-1 1/4	268.9	340	124	5-7/16
SAF 634	8-1/4	29-1/2	8	3-3/8	25	22-1/2	5	16-1/2	11-1/4	(4)-1 1/4	306.4	360	130	5-15/16
SAF 636	8-7/8	31-1/4	8-1/4	3-1/2	26-5/8	24	5-1/4	17-3/4	11-3/8	(4)-1 1/4	374.8	380	136	6-7/16
SAF 638	9-1/2	32-3/4	8-3/4	3-3/4	27-7/8	24-3/4	5-1/4	18-5/8	12	(4)-1 1/2	441	400	142	6-15/16
SAF 640	9-7/8	34-1/4	9	4	29-1/2	26-1/4	5-1/2	20	12-1/16	(4)-1 1/2	489.9	420	148	7-3/16

*Weights are approximate

Application Data

Spherical Roller Bearings – page 74



Shaft Size	Complete Unit Number	Housing Only ^(a)	Bearing Number	Adapters		Labrynth Seals		Fixing Ring ^(b)		End Cover ^(c)
				SNW Type	H Type	LER	Tactonite	Size	Qty.	
1-7/16	SAF 1609	SAF 609	1309K	SNW 09X1-7/16	HA 309X1-7/16	LER 17	TER 17	FR100X10.5	2	EPR 03
	SAF 2609		2309K	SNW 09X1-7/16	HA 2309X1-7/16			FR100X10	1	
	SAF 21609		21309K	SNW 09X1-7/16	HA 309X1-7/16			FR100X10.5	2	
1-11/16	SAF 22609	SAF 610	22309K	SNW 109X1-7/16	HA 2309X1-7/16	LER 20	TER 20	FR100X10	1	EPR 04
	SAF 1610		1310K	SNW 10X1-11/16	HA 310X1-11/16			FR110X11.5	2	
	SAF 2610		2310K	SNW 10X1-11/16	HA 2310X1-11/16			FR110X10	1	
	SAF 21610		21310K	SNW 10X1-11/16	HA 310X1-11/16			FR110X11.5	2	
1-15/16	SAF 22610	SAF 611 FSAF 611	22310K	SNW 110X1-11/16	HA 2310X1-11/16	LER 24	TER 24	FR110X10	1	EPR 05
	SAF 1611		1311K	SNW 11X1-15/16	HA 311X1-15/16			FR120X12	2	
	SAF 2611		2311K	SNW 11X1-15/16	HA 2311X1-15/16			FR120X10	1	
	SAF 21611		21311K	SNW 11X1-15/16	HA 311X1-15/16			FR120X12	2	
2-3/16	SAF 22611	SAF 613 FSAF 613	22311K	SNW 111X1-15/16	HA 2311X1-15/16	LER 32	---	FR120X10	1	EPR 07
	SAF 1613		1313K	SNW 13X2-3/16	HA 313X2-3/16			FR140X12.5	2	
	SAF 2613		2313K	SNW 13X2-3/16	HA 2313X2-3/16			FR140X10	1	
	SAF 21613		21313K	SNW 13X2-3/16	HA 313X2-3/16			FR140X12.5	2	
2-7/16	SAF 22613	SAF 615 FSAF 615	22313K	SNW 113X2-3/16	HA 2313X2-3/16	LER 37	TER 37	FR140X10	1	EPR 07
	SAF 1615		1315K	SNW 15X2-7/16	HA 315X2-7/16			FR160X14	2	
	SAF 2615		2315K	SNW 15X2-7/16	HA 2315X2-7/16			FR160X10	1	
	SAF 21615		21315K	SNW 15X2-7/16	HA 315X2-7/16			FR160X14	2	
2-11/16	SAF 22615	SAF 616 FSAF 616	22315K	SNW 115X2-7/16	HA 2315X2-7/16	LER 44	TER 44	FR160X10	1	EPR 08
	SAF 1616		1316K	SNW 16X2-11/16	HA 316X2-11/16			FR170X14.5	2	
	SAF 2616		2316K	SNW 16X2-11/16	HA 2316X2-11/16			FR170X10	1	
	SAF 21616		21316K	SNW 16X2-11/16	HA 316X2-11/16			FR170X14.5	2	
2-15/16	SAF 22616	SAF 617 FSAF 617	22316K	SNW 116X2-11/16	HA 2316X2-11/16	LER 184	---	FR170X10	1	EPR 10
	SAF 1617		1317K	SNW 17X2-15/16	HA 317X2-15/16			FR180X14.5	2	
	SAF 2617		2317K	SNW 17X2-15/16	HA 2317X2-15/16			FR180X10	1	
	SAF 21617		21317K	SNW 17X2-15/16	HA 317X2-15/16			FR180X14.5	2	
3-3/16	SAF 22617	SAF 618	22317K	SNW 117X2-15/16	HA 2317X2-15/16	LER 188	TER 188	FR180X10	1	EPR 11
	SAF 1618		1318K	SNW 18X3-3/16	HA 318X3-3/16			FR190X15.5	2	
	SAF 2618		2318K	SNW 18X3-3/16	HA 2318X3-3/16			FR190X10	1	
	SAF 21618		21318K	SNW 18X3-3/16	HA 318X3-3/16			FR190X15.5	2	
3-7/16	SAF 22618	SAF 620	22318K	SNW 118X3-3/16	HA 2318X3-3/16	LER 102	TER 102	FR190X10	1	EPR 12
	SAF 1620		1320K	SNW 20X3-7/16	HA 320X3-7/16			FR215X18	2	
	SAF 2620		2320K	SNW 20X3-7/16	HA 2320X3-7/16			FR215X10	1	
	SAF 21620		21320K	SNW 20X3-7/16	HA 320X3-7/16			FR215X18	2	
3-15/16	SAF 22620	SAF 622	22320K	SNW 120X3-7/16	HA 2320X3-7/16	LER 109	TER 109	FR215X10	1	EPR 13
	SAF 1622		1322K	SNW 22X3-15/16	HA 322X3-15/16			FR240X20	2	
	SAF 21622		21322K	SNW 22X3-15/16	HA 322X3-15/16			FR240X20	2	
	SAF 22622		22322K	SNW 122X3-15/16	HA 2322X3-15/16			FR240X10	1	
4-3/16	SAF 22624	SAF 624	22324K	SNW 124X4-3/16	HA 2324X4-3/16	LER 113	TER 113	FR260X10	1	EPR 14
4-7/16	SAF 22626	SAF 626	22326K	SNW 126X4-7/16	HA 2326X4-7/16	LER 117	TER 117	FR280X10	1	EPR 15
4-15/16	SAF 22628	SAF 628	22328K	SNW 128X4-15/16	HA 2328X4-15/16	LER 122	TER 122	FR300X10	1	EPR 27
5-3/16	SAF22630	SAF 630	22330K	SNW 130X5-3/16	HA 2330X5-3/16	LER 125	TER 125	FR320X10	1	EPR 16
5-7/16	SAF 22632	SAF 632	22332K	SNW 132X5-7/16	HA 2332X5-7/16	LER 130	TER 130	FR340X10	1	EPR 16
5-15/16	SAF 22634	SAF 634	22334K	SNW 134X5-15/16	HA 2334X5-15/16	LER 140	TER 140	FR360X10	1	EPR 18
6-7/16	SAF 22636	SAF 636	22336K	SNW 136X6-7/16	HA 2336X6-7/16	LER 148	TER 148	FR380X10	1	---
6-15/16	SAF 22638	SAF 638	22338K	SNW 138X6-15/16	HA 2338X6-15/16	LER 155	TER 155	FR400X10	1	EPR 20
7-3/16	SAF 22640	SAF 640	22340K	SNW 140X7-3/16	HA 2340X7-3/16	LER 159	---	FR420X10	1	---

Note: Housings available in cast iron (SAF), Ductile (SAFD) or cast steel (SAFS).

LOR seals with O-rings are also available

(a) "Housing Only" includes - cap, base, cap bolts, labyrinth seals and fixing rings

(b) Fixing Ring is used for fixed block only; do not use for float mounting

(c) End Cover is optional

Introduction

Ball Bearings

Cylindrical Roller Bearings

Spherical Roller Bearings

Tapered Roller Bearings

Thrust Bearings

Split Pillow Blocks

Super Precision Bearings

Linear Motion

Rolling Mill Bearings

Engineering Section

Pillow Block

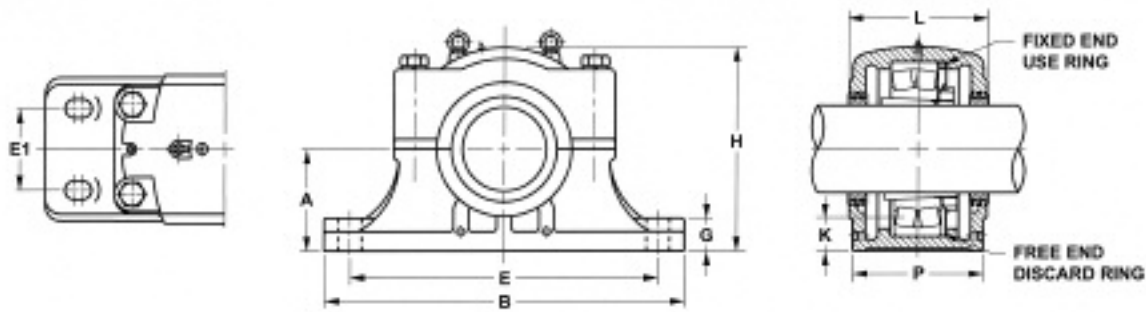
SDAF 000K Series

Housing No.	A	B	P	G	E		E1	H	K Static Oil Level	L	Bolts (No. Req'd)	Wt.
	In.	In.	In.	In.	Max In.	Min In.	In.	In.	In.	In.	In	lbs.*
SDAF 060K/10-15/16	12	38-1/4	14-3/4	3-3/8	33-1/2	32-3/4	9	23-7/16	4-3/8	14-1/2	(4)--1-5/8	875
SDAF 060K/11	12	38-1/4	14-3/4	3-3/8	33-1/2	32-3/4	9	23-7/16	4-3/8	14-1/2	(4)--1-5/8	875
SDAF 064K/11-7/16	12	38-1/4	14-3/4	3-3/8	33-1/2	32-3/4	9	23-7/16	4	15-1/2	(4)--1-5/8	878
SDAF 064K/11-1/2	12	38-1/4	14-3/4	3-3/8	33-1/2	32-3/4	9	23-7/16	4	15-1/2	(4)--1-5/8	878
SDAF 064K/11-15/16	12	38-1/4	14-3/4	3-3/8	33-1/2	32-3/4	9	23-7/16	4	15-1/2	(4)--1-5/8	878
SDAF 064K/12	12	38-1/4	14-3/4	3-3/8	33-1/2	32-3/4	9	23-7/16	4	15-1/2	(4)--1-5/8	878
SDAF 068K/12-7/16	12	39	15-1/4	4-3/16	33-1/2	32	10	24	3-3/8	15-3/4	(4)--1-7/8	1100
SDAF 068K/12-1/2	12	39	15-1/4	4-3/16	33-1/2	32	10	24	3-3/8	15-3/4	(4)--1-7/8	1100
SDAF 072K/12-15/16	12-13/16	41-3/4	15-3/4	4-1/2	36-1/2	35	10-1/2	25-3/4	3-23/32	16-1/4	(4)--1-7/8	1170
SDAF 072K/13	12-13/16	41-3/4	15-3/4	4-1/2	36-1/2	35	10-1/2	25-3/4	3-23/32	16-1/4	(4)--1-7/8	1170
SDAF 072K/13-7/16	12-13/16	41-3/4	15-3/4	4-1/2	36-1/2	35	10-1/2	25-3/4	3-23/32	16-1/4	(4)--1-7/8	1170
SDAF 072K/13-1/2	12-13/16	41-3/4	15-3/4	4-1/2	36-1/2	35	10-1/2	25-3/4	3-23/32	16-1/4	(4)--1-7/8	1170
SDAF 076K/13-15/16	12-13/16	41-3/4	15-3/4	4-1/2	36-1/2	35	10-1/2	25-3/4	3-3/8	16-1/4	(4)--1-7/8	1146
SDAF 076K/14	12-13/16	41-3/4	15-3/4	4-1/2	36-1/2	35	10-1/2	25-3/4	3-3/8	16-1/4	(4)--1-7/8	1146

*Weights are approximate

Application Data

Spherical Roller Bearings – page 78



Shaft Diameter S-1 in	Complete Unit Number	Housing Only ^(a)	Bearing Number	Adapter Locknut and Lockwasher or Lockplate	Labyrinth Seal Ring (2 required)	Fixing Ring ^(b) (1 required)
10-15/16 11	SDAF 23060K/10-15/16 SDAF 23060K/11	SDAF 060K/10-15/16 SDAF 060K/11	23060 K 23060 K	SNP3060 X 10-15/16 SNP3060 X 11	ER 858 ER 825	A 8967 A 8967
11-7/16 11-1/2 11-15/16 12	SDAF 23064K/11-7/16 SDAF 23064K/11-1/2 SDAF 23064K/11-15/16 SDAF 23064K/12	SDAF 064K/11-7/16 SDAF 064K/11-1/2 SDAF 064K/11-15/16 SDAF 064K/12	23064 K 23064 K 23064 K 23064 K	SNP3064 X 11-7/16 SNP3064 X 11-1/2 SNP3064 X 11-15/16 SNP3064 X 12	ER 861 ER 832 ER 859 ER 818	A 8968 A 8968 A 8968 A 8968
12-7/16 12-1/2	SDAF 23068K/12-7/16 SDAF 23068K/12-1/2	SDAF 068K/12-7/16 SDAF 068K/12-1/2	23068 K 23068 K	SNP3068 X 12-7/16 SNP3068 X 12-1/2	ER 865 ER 866	A 8969 A 8969
12-15/16 13 13-7/16 13-1/2	SDAF 23072K/12-15/16 SDAF 23072K/13 SDAF 23072K/13-7/16 SDAF 23072K/13-1/2	SDAF 072K/12-15/16 SDAF 072K/13 SDAF 072K/13-7/16 SDAF 072K/13-1/2	23072 K 23072 K 23072 K 23072 K	SNP3072 X 12-15/16 SNP3072 X 13 SNP3072 X 13-7/16 SNP3072 X 13-1/2	ER 869 ER 846 ER 872 ER 823	A 8970 A 8970 A 8970 A 8970
13-15/16 14	SDAF 23076K/13-15/16 SDAF 23076K/14	SDAF 076K/13-15/16 SDAF 076K/14	23076 K 23076 K	SNP3076 X 13-15/16 SNP3076 X 14	ER 875 ER 876	A 8971 A 8971

Note: Housings available in cast iron (SDAF), Ductile (SDAFD) or cast steel (SDAFS).

Taconite (TER) and LOR seals with O-rings are also available

(a) "Housing Only" includes - cap, base, cap bolts, labyrinth seals and fixing rings

(b) Fixing Ring is used for fixed block only; do not use for float mounting

Pillow Block

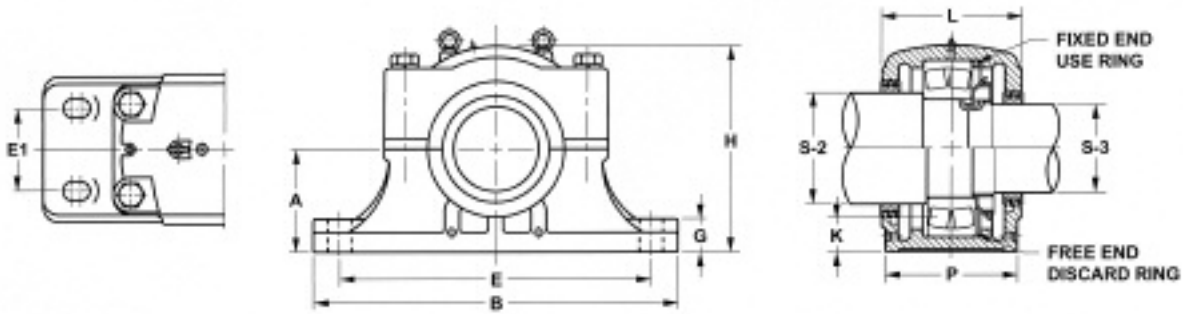
SDAF 200 Series

Housing No.	A	B	P	G	E		E1	H	K Static Oil Level	L	Bolts (No. Req'd)	Wt.
	In.	In.	In.	In.	Max In.	Min In.	In.	In.	In.	In.	In	lbs.*
SDAF 220	4-1/2	15-1/4	6	1-7/8	13-1/8	11-5/8	3-3/8	8-15/16	1-3/4	6-3/4	(4)--3/4	60
SDAF 222	4-15/16	16-1/2	6-3/4	2-1/8	14-1/2	12-5/8	4	9-7/8	1-7/8	7-1/4	(4)--7/8	90
SDAF 224	5-1/4	16-1/2	6-7/8	2-1/4	14-1/2	13-1/4	4-1/8	10-1/2	1-15/16	7-3/8	(4)--7/8	100
SDAF 226	6	18-3/8	7-1/2	2-3/8	16	14-5/8	4-1/2	11-7/8	2-7/16	8	(4)--1	140
SDAF 228	6	20-1/8	7-1/2	2-3/8	17-1/8	16	4-1/2	12-1/16	2-1/8	7-15/16	(4)--1	147
SDAF 230	6-5/16	21-1/4	7-7/8	2-1/2	18-1/4	17	4-3/4	12-13/16	2-3/16	8-3/8	(4)--1-1/8	157
SDAF 232	6-11/16	22	8-1/4	2-1/2	19-1/4	17-3/8	5	13-11/16	2-3/16	8-3/4	(4)--1-1/8	183
SDAF 234	7-1/16	24-3/4	9	2-1/2	21-5/8	19-3/8	5-1/2	14-1/4	2-5/16	9-5/8	(4)--1-1/4	212
SDAF 236	7-1/2	26-3/4	9-3/8	2-3/4	23-5/8	20-7/8	5-7/8	15-3/16	2-9/16	10	(4)--1-1/4	247
SDAF 238	7-7/8	27-5/8	10	3	23-1/2	21-1/2	6-1/4	16-1/4	2-5/8	10-5/8	(4)--1-3/8	335
SDAF 240	8-1/4	28-3/4	10-1/2	3-1/4	25	23	6-3/4	17-1/8	2-11/16	11-1/8	(4)--1-3/8	343
SDAF 244	9-1/2	32	11-1/4	3-1/2	27-7/8	25-5/8	7-1/4	19-1/4	3-3/8	11-7/8	(4)--1-1/2	515

*Weights are approximate

Application Data

Spherical Roller Bearings – page 70



Shaft Diameter		Complete Unit Number	Housing Only ^(a)	Bearing Number	Locknut	Lockwasher	Labyrinth Seal Ring		Fixing Ring ^(b) (1 required)	End Cover ^(c)
S-2 in.	S-3 in.						S-2 Shaft (1 required)	S-3 Shaft (1 required)		
4-1/2	3-13/16	SDAF 22220	SDAF 220	22220	AN 20	W 20	LER 205	LER 87	FR180X10	EPR 12
4-7/8	4-3/16	SDAF 22222	SDAF 222	22222	AN 22	W 22	LER 121	LER 113	FR200X10	EPR 14
5-5/16	4-9/16	SDAF 22224	SDAF 224	22224	AN 24	W 24	LER 127	LER 119	FR215X10	EPR 15
5-7/8	4-15/16	SDAF 22226	SDAF 226	22226	AN 26	W 26	LER 136	LER 122	FR230X10	EPR 27
6-1/4	5-5/16	SDAF 22228	SDAF 228	22228	AN 28	W 28	LER 144	LER 127	FR250X10	---
6-5/8	5-3/4	SDAF 22230	SDAF 230	22230	AN 30	W 30	LER 151	LER 134	FR270X10	EPR 17
7	6-1/16	SDAF 22232	SDAF 232	22232	AN 32	W 32	LER 156	LER 142	FR290X10	EPR 18
7-7/16	6-7/16	SDAF 22234	SDAF 234	22234	AN 34	W 34	LER 161	LER 148	FR310X10	EPR 19
7-13/16	6-7/8	SDAF 22236	SDAF 236	22236	AN 36	W 36	LER 165	LER 154	FR320X10	EPR 20
8-3/8	7-1/4	SDAF 22238	SDAF 238	22238	AN 38	W 38	LER 240	LER 229	FR340X10	EPR 22
8-3/4	7-5/8	SDAF 22240	SDAF 240	22240	AN 40	W 40	LER 244	LER 233	FR360X10	EPR 23
9-9/16	8-5/16	SDAF 22244	SDAF 244	22244	N 44	W 44	LER 248	LER 239	FR400X10	EPR 25

Note: Housings available in cast iron (SDAF), Ductile (SDAFD) or cast steel (SDAFS).

Taconite (TER) and LOR seals with O-rings are also available

(a) "Housing Only" includes - cap, base, cap bolts, labyrinth seals and fixing rings

(b) Fixing Ring is used for fixed block only; do not use for float mounting

(c) End Cover is optional

Pillow Block

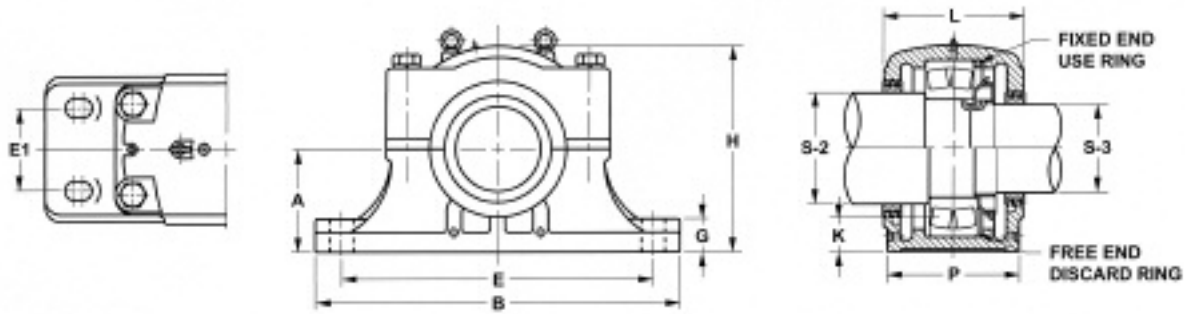
SDAF 300 Series

Housing No.	A	B	P	G	E		E1	H	K Static Oil Level	L	Bolts (No. Req'd)	Wt.
	In.	In.	In.	In.	Max In.	Min In.	In.	In.	In.	In.	In	lbs.*
SDAF 316	4-1/4	14-1/4	5-1/2	1-3/4	12-5/8	10-5/8	3-1/4	8-1/4	1-3/4	6-3/8	(4)--5/8	51
SDAF 317	4-1/2	15-1/4	6	1-7/8	13-1/8	11-5/8	3-3/8	8-15/16	1-13/16	6-3/4	(4)--3/4	63
SDAF 318	4-3/4	15-1/2	6-1/8	2	13-1/2	12	3-5/8	9-7/16	2	6-7/8	(4)--3/4	72
SDAF 320	5-1/4	16-1/2	6-7/8	2-1/4	14-1/2	13-1/4	4-1/8	10-1/2	2-1/8	7-3/8	(4)--7/8	92
SDAF 322	6	18-3/8	7-1/2	2-3/8	16	14-5/8	4-1/2	11-7/8	2-1/2	8	(4)--1	145
SDAF 324	6-5/16	21-1/4	7-7/8	2-1/2	18-1/4	17	4-3/4	12-13/16	2-9/16	8-3/8	(4)--1-1/8	170
SDAF 326	6-11/16	22	8-1/4	2-1/2	19-1/4	17-3/8	5	13-11/16	2-5/8	8-3/4	(4)--1-1/8	190
SDAF 328	7-1/16	24-3/4	9	2-1/2	21-5/8	19-3/8	5-1/2	14-1/4	2-11/16	9-3/8	(4)--1-1/4	228
SDAF 330	7-1/2	26-3/4	9-3/8	2-3/4	23-5/8	20-7/8	5-7/8	15-3/16	2-7/8	9-3/4	(4)--1-1/4	300
SDAF 332	7-7/8	27-5/8	10	3	23-1/2	21-1/2	6-1/4	16-1/4	2-15/16	10-5/8	(4)--1-3/8	350
SDAF 334	8-1/4	28-3/4	10-1/2	3-1/4	25	23	6-3/4	17-1/8	3-1/16	11-1/8	(4)--1-3/8	390
SDAF 336	8-7/8	30-1/2	10-3/4	3-1/4	26-3/8	24-1/8	6-7/8	17-15/16	3-3/8	11-3/8	(4)--1-1/2	400
SDAF 338	9-1/2	32	11-1/4	3-1/2	27-7/8	25-5/8	7-1/4	19-1/4	3-11/16	11-7/8	(4)--1-1/2	520
SDAF 340	9-7/8	33-1/2	11-3/4	3-1/2	29-1/4	26-5/8	7-5/8	19-15/16	3-3/4	12-3/8	(4)--1-5/8	560

*Weights are approximate

Application Data

Spherical Roller Bearings – page 74



Shaft Diameter		Complete Unit Number	Housing Only ^(a)	Bearing Number	Locknut	Lockwasher	Labyrinth Seal Ring		Fixing Ring ^(b) (1 required)	End Cover ^(c)
S-2 in.	S-3 in.						S-2 Shaft (1 required)	S-3 Shaft (1 required)		
3-5/8	3	SDAF 22316	SDAF 316	22316	AN 16	W 16	LER 84	LER 60	FR170X10	EPR 10
3-15/16	3-3/16	SDAF 22317	SDAF 317	22317	AN 17	W 17	LER 93	LER 69	FR180X10	EPR 11
4-1/8	3-3/8	SDAF 22318	SDAF 318	22318	AN 18	W 18	LER 96	LER 72	FR190X10	EPR 11
4-1/2	3-13/16	SDAF 22320	SDAF 320	22320	AN 20	W 20	LER 205	LER 87	FR218X10	EPR 12
4-7/8	4-3/16	SDAF 22322	SDAF 322	22322	AN 22	W 22	LER 121	LER 113	FR240X10	EPR 14
5-5/16	4-9/16	SDAF 22324	SDAF 324	22324	AN 24	W 24	LER 127	LER 119	FR260X10	EPR 15
5-7/8	4-15/16	SDAF 22326	SDAF 326	22326	AN 26	W 26	LER 136	LER 122	FR280X10	EPR 27
6-1/4	5-5/16	SDAF 22328	SDAF 328	22328	AN 28	W 28	LER 144	LER 127	FR300X10	EPR 16
6-5/8	5-3/4	SDAF 22330	SDAF 330	22330	AN 30	W 30	LER 151	LER 134	FR320X10	EPR 17
7	6-1/16	SDAF 22332	SDAF 332	22332	AN 32	W 32	LER 225	LER 217	FR340X10	EPR 19
7-7/16	6-7/16	SDAF 22334	SDAF 334	22334	AN 34	W 34	LER 230	LER 220	FR360X10	EPR 26
7-16/16	6-7/8	SDAF 22336	SDAF 336	22336	AN 36	W 36	LER 234	LER 223	FR380X10	EPR 21
8-3/8	7-1/4	SDAF 22338	SDAF 338	22338	AN 38	W 38	LER 240	LER 229	FR400X10	EPR 22
8-3/4	7-5/8	SDAF 22340	SDAF 340	22340	AN 40	W 40	LER 244	LER 233	FR420X10	EPR 23

Note: Housings available in cast iron (SDAF), Ductile (SDAFD) or cast steel (SDAFS).

Taconite (TER) and LOR seals with O-rings are also available

(a) "Housing Only" includes - cap, base, cap bolts, labyrinth seals and fixing rings

(b) Fixing Ring is used for fixed block only; do not use for float mounting

(c) End Cover is optional

Pillow Block

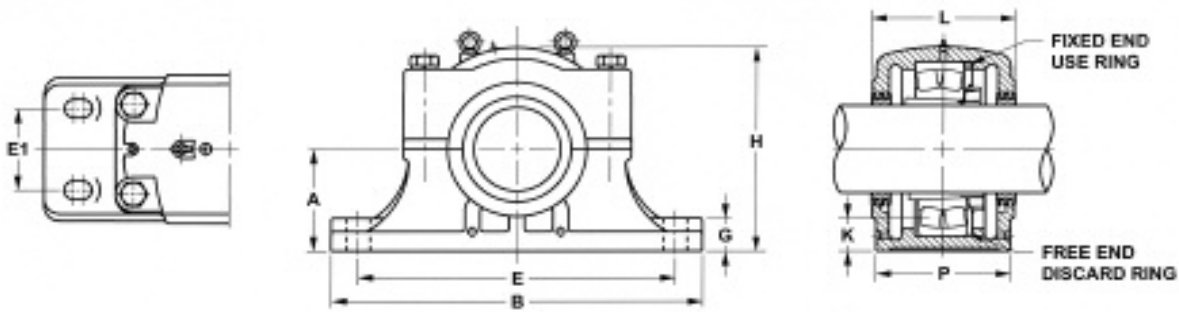
SDAF 500 Series

Housing No.	A	B	P	G	E		E1	H	K Static Oil Level	L	Bolts (No. Req'd)	Wt.
	In.	In.	In.	In.	Max In.	Min In.	In.	In.	In.	In.	In	lbs.*
SDAF 520	4-1/2	15-1/4	6	1-7/8	13-1/8	11-5/8	3-3/8	8-15/16	1-3/4	6-3/4	(4)--3/4	64
SDAF 522	4-15/16	16-1/2	6-3/4	2-1/8	14-1/2	12-5/8	4	9-7/8	1-7/8	7-1/4	(4)--7/8	84
SDAF 524	5-1/4	16-1/2	6-7/8	2-1/4	14-1/2	13-1/4	4-1/8	10-1/2	1-15/16	7-3/8	(4)--7/8	97
SDAF 526	6	18-3/8	7-1/2	2-3/8	16	14-5/8	4-1/2	11-7/8	2-7/16	8	(4)--1	130
SDAF 528	6	20-1/8	7-1/2	2-3/8	17-1/8	16	4-1/2	12-1/16	2-1/8	7-15/16	(4)--1-1/8	146
SDAF 530	6-5/16	21-1/4	7-7/8	2-1/2	18-1/4	17	4-3/4	12-13/16	2-3/16	8-3/8	(4)--1-1/8	158
SDAF 532	6-11/16	22	8-1/4	2-1/2	19-1/4	17-3/8	5	13-11/16	2-3/16	8-3/4	(4)--1-1/8	187
SDAF 534	7-1/16	24-3/4	9	2-1/2	21-5/8	19-3/8	5-1/2	14-1/4	2-5/16	9-5/8	(4)--1-1/4	212
SDAF 536	7-1/2	26-3/4	9-3/8	2-3/4	23-5/8	20-7/8	5-7/8	15-3/16	2-9/16	10	(4)--1-1/4	292
SDAF 538	7-7/8	27-5/8	10	3	23-1/2	21-1/2	6-1/4	16-1/4	2-5/8	10-5/8	(4)--1-3/8	338
SDAF 540	8-1/4	28-3/4	10-1/2	3-1/4	25	23	6-3/4	17-1/8	2-11/16	11-1/8	(4)--1-3/8	340
SDAF 544	9-1/2	32	11-1/4	3-1/2	27-7/8	25-5/8	7-1/4	19-1/4	3-3/8	11-7/8	(4)--1-1/2	510

*Weights are approximate

Application Data

Spherical Roller Bearings – page 70



Shaft Diameter S-1 in.	Complete Unit Number	Housing Only ^(a)	Bearing Number	Adapter Locknut and Lockwasher	Labyrinth Seal Ring (2 required)	Fixing Ring ^(b) (1 required)	End Cover ^(c)
3-7/16	SDAF 22520	SDAF 520	22220 K	SNW20 X 3-7/16	LER 75	FR180X10	EPR11
3-15/16	SDAF 22522	SDAF 522	22222 K	SNW22 X 3-15/16	LER 93	FR200X10	EPR13
4-3/16	SDAF 22524	SDAF 524	22224 K	SNW24 X 4-3/16	LER 113	FR218X10	EPR14
4-7/16	SDAF 22526	SDAF 526	22226 K	SNW26 X 4-7/16	LER 117	FR230X10	EPR15
4-15/16	SDAF 22528	SDAF 528	22228 K	SNW28 X 4-15/16	LER 122	FR250X10	---
5-3/16	SDAF 22530	SDAF 530	22230 K	SNW30 X 5-3/16	LER 125	FR270X10	EPR16
5-7/16	SDAF 22532	SDAF 532	22232 K	SNW32 X 5-7/16	LER 130	FR290X10	EPR16
5-15/16	SDAF 22534	SDAF 534	22234 K	SNW34 X 5-15/16	LER 140	FR310X10	EPR18
6-7/16	SDAF 22536	SDAF 536	22236 K	SNW36 X 6-7/16	LER 148	FR320X10	EPR19
6-15/16	SDAF 22538	SDAF 538	22238 K	SNW38 X 6-15/16	LER 224	FR340X10	EPR21
7-3/16	SDAF 22540	SDAF 540	22240 K	SNW40 X 7-3/16	LER 228	FR360X10	EPR22
7-15/16	SDAF 22544	SDAF 544	22244 K	SNW44 X 7-15/16	LER 236	FR400X10	EPR24

Note: Housings available in cast iron (SDAF), Ductile (SDAFD) or cast steel (SDAFS).

Taconite (TER) and LOR seals with O-rings are also available

(a) "Housing Only" includes - cap, base, cap bolts, labyrinth seals and fixing rings

(b) Fixing Ring is used for fixed block only; do not use for float mounting

(c) End Cover is optional

Pillow Block

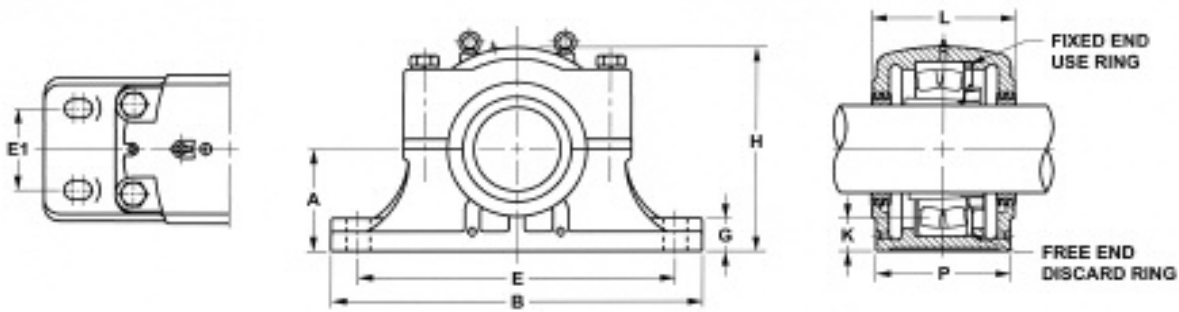
SDAF 600 Series

Housing No.	A	B	P	G	E		E1	H	K Static Oil Level	L	Bolts (No. Req'd)	Wt.
	In.	In.	In.	In.	Max In.	Min In.	In.	In.	In.	In.	In	lbs.*
SDAF 616	4-1/4	14-1/4	5-1/2	1-3/4	12-5/8	10-5/8	3-1/4	8-1/4	1-3/4	6-3/8	(4)--5/8	49
SDAF 617	4-1/2	15-1/4	6	1-7/8	13-1/8	11-5/8	3-3/8	8-15/16	1-13/16	6-3/4	(4)--3/4	64
SDAF 618	4-3/4	15-1/2	6-1/8	2	13-1/2	12	3-5/8	9-7/16	2	6-7/8	(4)--3/4	72
SDAF 620	5-1/4	16-1/2	6-7/8	2-1/4	14-1/2	13-1/4	4-1/8	10-1/2	2-1/8	7-3/8	(4)--7/8	110
SDAF 622	6	18-3/8	7-1/2	2-3/8	16	14-5/8	4-1/2	11-7/8	2-1/2	8	(4)--1	145
SDAF 624	6-5/16	21-1/4	7-7/8	2-1/2	18-1/4	17	4-3/4	12-13/16	2-9/16	8-3/8	(4)--1-1/8	170
SDAF 626	6-11/16	22	8-1/4	2-1/2	19-1/4	17-3/8	5	13-11/16	2-5/8	8-3/4	(4)--1-1/8	193
SDAF 628	7-1/16	24-3/4	9	2-1/2	21-5/8	19-3/8	5-1/2	14-1/4	2-11/16	9-3/8	(4)--1-1/4	228
SDAF 630	7-1/2	26-3/4	9-3/8	2-3/4	23-5/8	20-7/8	5-7/8	15-3/16	2-7/8	9-3/4	(4)--1-1/4	294
SDAF 632	7-7/8	27-5/8	10	3	23-1/2	21-1/2	6-1/4	16-1/4	2-15/16	10-5/8	(4)--1-3/8	350
SDAF 634	8-1/4	28-3/4	10-1/2	3-1/4	25	23	6-3/4	17-1/8	3-1/16	11-1/8	(4)--1-3/8	390
SDAF 636	8-7/8	30-1/2	10-3/4	3-1/4	26-3/8	24-1/8	6-7/8	17-15/16	3-3/8	11-3/8	(4)--1-1/2	404
SDAF 638	9-1/2	32	11-1/4	3-1/2	27-7/8	25-5/8	7-1/4	19-1/4	3-11/16	11-7/8	(4)--1-1/2	486
SDAF 640	9-7/8	33-1/2	11-3/4	3-1/2	29-1/4	26-5/8	7-5/8	19-15/16	3-3/4	12-3/8	(4)--1-5/8	560

*Weights are approximate

Application Data

Spherical Roller Bearings – page 74



Shaft Diameter S-1 in	Complete Unit Number	Housing Only ^(a)	Bearing Number	Adapter Locknut and Lockwasher	Labyrinth Seal Ring (2 required)	Fixing Ring ^(b) (1 required)	End Cover ^(c)
2-11/16	SDAF 22616	SDAF 616	22316 K	SNW116 X 2-11/16	LER 44	FR170X10	EPR 08
2-15/16	SDAF 22617	SDAF 617	22317 K	SNW117 X 2-15/16	LER 59	FR180X10	EPR 10
3-3/16	SDAF 22618	SDAF 618	22318 K	SNW118 X 3-3/16	LER 69	FR190X10	EPR 11
3-7/16	SDAF 22620	SDAF 620	22320 K	SNW120 X 3-7/16	LER 75	FR218X10	EPR 11
3-15/16	SDAF 22622	SDAF 622	22322 K	SNW122 X 3-15/16	LER 93	FR240X10	EPR 13
4-3/16	SDAF 22624	SDAF 624	22324 K	SNW124 X 4-3/16	LER 113	FR260X10	EPR 14
4-7/16	SDAF 22626	SDAF 626	22326 K	SNW126 X 4-7/16	LER 117	FR280X10	EPR 15
4-15/16	SDAF 22628	SDAF 628	22328 K	SNW128 X 4-15/16	LER 122	FR300X10	EPR 27
5-3/16	SDAF 22630	SDAF 630	22330 K	SNW130 X 5-3/16	LER 125	FR320X10	EPR 16
5-7/16	SDAF 22632	SDAF 632	22332 K	SNW132 X 5-7/16	LER 211	FR340X10	EPR 17
5-15/16	SDAF 22634	SDAF 634	22334 K	SNW134 X 5-15/16	LER 215	FR360X10	EPR 19
6-7/16	SDAF 22636	SDAF 636	22336 K	SNW136 X 6-7/16	LER 220	SR-0-36	EPR 26
6-15/16	SDAF 22638	SDAF 638	22338 K	SNW138 X 6-15/16	LER 224	FR400X10	EPR 21
7-3/16	SDAF 22640	SDAF 640	22340 K	SNW140 X 7-3/16	LER 228	FR420X10	EPR 22

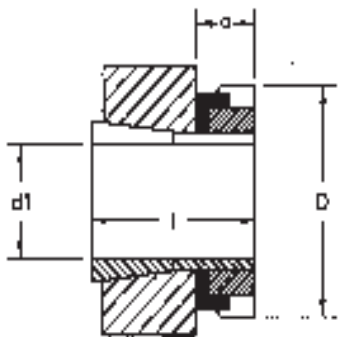
Note: Housings available in cast iron (SDAF), Ductile (SDAFD) or cast steel (SDAFS).

Taconite (TER) and LOR seals with O-rings are also available

(a) "Housing Only" includes - cap, base, cap bolts, labyrinth seals and fixing rings

(b) Fixing Ring is used for fixed block only; do not use for float mounting

(c) End Cover is optional



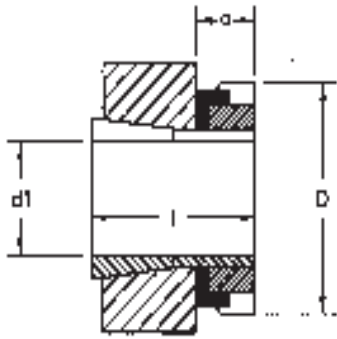
Inch Adapter Sleeves

With Nut and Washer

For 222 Series Bearings

(also used with 12, 13, and 22 Series)

Part No. (Bore)	Weight Lbs.	Dimension in Inches				Lock Nut	Lock Washer
		d1	l	D	c		
SNW 05 X 3/4	0.2	3/4	1.27	1.6	0.46	N 05	W 05
SNW 05 X 11/16	0.3	11/16	1.27	1.6	0.46	N 05	W 05
SNW 06 X 15/16	0.2	15/16	1.35	1.8	0.46	N 06	W 06
SNW 06 X 1	0.2	1	1.35	1.8	0.46	N 06	W 06
SNW 07 X 1-1/16	0.4	1-1/16	1.46	2.1	0.48	N 07	W 07
SNW 07 X 1-1/4	0.3	1-1/4	1.46	2.1	0.48	N 07	W 07
SNW 07 X 1-1/8	0.3	1-1/8	1.46	2.1	0.48	N 07	W 07
SNW 07 X 1-3/16	0.3	1-3/16	1.46	2.1	0.48	N 07	W 07
SNW 08 X 1-1/4	0.4	1-1/4	1.50	2.3	0.50	N 08	W 08
SNW 08 X 1-3/8	0.4	1-3/8	1.50	2.3	0.50	N 08	W 08
SNW 08 X 1-5/16	0.4	1-5/16	1.50	2.3	0.50	N 08	W 08
SNW 09 X 1-3/8	0.6	1-3/8	1.58	2.5	0.50	N 09	W 09
SNW 09 X 1-1/2	0.6	1-1/2	1.58	2.5	0.50	N 09	W 09
SNW 09 X 1-7/16	0.6	1-7/16	1.58	2.5	0.50	N 09	W 09
SNW 10 X 1-11/16	0.7	1-11/16	1.77	2.7	0.56	N 10	W 10
SNW 10 X 1-3/4	0.7	1-3/4	1.77	2.7	0.56	N 10	W 10
SNW 10 X 1-5/8	0.7	1-5/8	1.77	2.7	0.56	N 10	W 10
SNW 11 X 1-13/16	0.8	1-13/16	1.85	3.0	0.56	N 11	W 11
SNW 11 X 1-3/4	0.8	1-3/4	1.85	3.0	0.56	N 11	W 11
SNW 11 X 1-7/8	0.8	1-7/8	1.85	3.0	0.56	N 11	W 11
SNW 11 X 1-15/16	0.9	1-15/16	1.85	3.0	0.56	N 11	W 11
SNW 11 X 2	0.9	2	1.85	3.0	0.56	N 11	W 11
SNW 13 X 2	1.0	2	2.10	3.4	0.63	N 13	W 13
SNW 13 X 2-1/4	1.4	2-1/4	2.10	3.4	0.63	N 13	W 13
SNW 13 X 2-3/16	1.4	2-3/16	2.10	3.4	0.63	N 13	W 13
SNW 13 X 2-5/16	1.3	2-5/16	2.10	3.4	0.63	N 13	W 13
SNW 15 X 2-1/2	2.3	2-1/2	2.30	3.9	0.67	AN 15	W 15
SNW 15 X 2-3/8	2.4	2-3/8	2.30	3.9	0.67	AN 15	W 15
SNW 15 X 2-5/8	2.2	2-5/8	2.30	3.9	0.67	AN 15	W 15
SNW 15 X 2-7/16	2.2	2-7/16	2.30	3.9	0.67	AN 15	W 15
SNW 16 X 2-11/16	2.4	2-11/16	2.38	4.2	0.67	AN 16	W 16
SNW 16 X 2-3/4	2.4	2-3/4	2.38	4.2	0.67	AN 16	W 16
SNW 17 X 2-15/16	2.9	2-15/16	2.49	4.4	0.70	AN 17	W 17
SNW 17 X 3	2.9	3	2.49	4.4	0.70	AN 17	W 17
SNW 18 X 3-1/4	4.0	3-1/4	2.49	4.7	0.78	AN 18	W 18
SNW 18 X 3	4.0	3	2.65	4.7	0.78	AN 18	W 18
SNW 20 X 3-1/2	4.0	3-1/2	2.87	5.2	0.84	AN 20	W 20
SNW 20 X 3-7/16	4.0	3-7/16	2.87	5.2	0.84	AN 20	W 20
SNW 22 X 3-11/16	4.9	3-11/16	3.21	5.7	0.91	AN 22	W 22
SNW 22 X 3-15/16	4.8	3-15/16	3.21	5.7	0.91	AN 22	W 22
SNW 22 X 4	4.8	4	3.21	5.7	0.91	AN 22	W 22
SNW 24 X 4-1/4	6.2	4-1/4	3.47	6.1	0.94	AN 24	W 22
SNW 24 X 4-3/16	6.2	4-3/16	3.47	6.1	0.94	AN 24	W 24
SNW 26 X 4-7/16	9.7	4-7/16	3.76	6.8	1.00	AN 26	W 26
SNW 26 X 4-1/2	9.7	4-1/2	3.76	6.8	1.00	AN 26	W 26
SNW 28 X 4-15/16	10.5	4-15/16	3.98	7.1	1.06	AN 28	W 28
SNW 28 X 4-7/8	10.5	4-7/8	3.98	7.1	1.06	AN 28	W 28
SNW 28 X 5	10.5	5	3.98	7.1	1.06	AN 28	W 28
SNW 30 X 5-1/4	16.0	5-1/4	4.24	7.7	1.13	AN 30	W 30
SNW 30 X 5-3/16	16.0	5-3/16	4.24	7.7	1.13	AN 30	W 30
SNW 32 X 5-1/2	16.0	5-1/2	4.58	8.1	1.19	AN 32	W 32
SNW 32 X 5-7/16	16.0	5-7/16	4.58	8.1	1.19	AN 32	W 32
SNW 32 X 5-3/4	16.0	5-3/4	4.58	8.1	1.19	AN 32	W 32
SNW 34 X 5-15/16	19.5	5-15/16	4.85	8.7	1.22	AN 34	W 34
SNW 34 X 6	19.5	6	4.85	8.7	1.22	AN 34	W 34
SNW 36 X 6-7/16	20.5	6-7/16	5.04	9.1	1.25	AN 36	W 36
SNW 36 X 6-1/2	20.5	6-1/2	5.04	9.1	1.25	AN 36	W 36
SNW 38 X 6-15/16	23.5	6-15/16	5.26	9.5	1.28	AN 38	W 38
SNW 38 X 7	23.5	7	5.26	9.5	1.28	AN 38	W 38
SNW 40 X 7-3/16	30.5	7-3/16	5.48	9.8	1.34	AN 40	W 40
SNW 40 X 7-3/8	30.5	7-3/8	5.48	9.8	1.34	AN 40	W 40
SNW 44 X 7-1/2	32.5	7-1/2	5.90	11.0	1.41	N 44	W 44
SNW 44 X 7-7/8	32.5	7-7/8	5.90	11.0	1.41	N 44	W 44
SNW 44 X 7-15/16	32.5	7-15/16	5.90	11.0	1.41	N 44	W 44
SNW 44 X 8	32.5	8	5.90	11.0	1.41	N 44	W 44

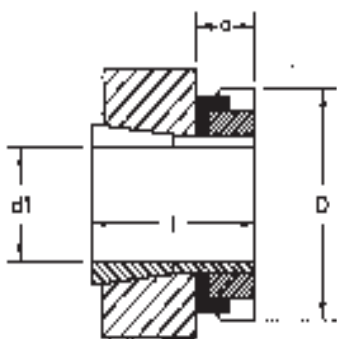


Inch Adapter Sleeves

With Nut and Washer

For 223 and 232 Series Bearings

Part No. (Bore)	Weight Lbs.	Dimension in Inches				Lock Nut	Lock Washer
		d1	l	D	c		
SNW 109 X 1-7/16	0.7	1-7/16	2.13	2.53	0.50	N 09	W 09
SNW 109 X 1-1/2	0.7	1-1/2	2.13	2.53	0.50	N 09	W 09
SNW 110 X 1-11/16	0.9	1-11/16	2.39	2.69	0.56	N 10	W 10
SNW 110 X 1-3/4	0.9	1-3/4	2.39	2.69	0.56	N 10	W 10
SNW 111 X 1-7/8	0.9	1-7/8	2.52	2.97	0.56	N 11	W 11
SNW 111 X 1-15/16	0.9	1-15/16	2.52	2.97	0.56	N 11	W 11
SNW 111 X 2	0.9	2	2.52	2.97	0.56	N 11	W 11
SNW 113 X 2-1/4	1.8	2-1/4	2.77	3.38	0.63	N 13	W 13
SNW 113 X 2-3/16	1.8	2-3/16	2.77	3.38	0.63	N 13	W 13
SNW 115 X 2-3/8	3.0	2-3/8	3.08	3.88	0.70	AN 15	W 15
SNW 115 X 2-7/16	3.0	2-7/16	3.08	3.88	0.70	AN 15	W 15
SNW 115 X 2-1/2	3.0	2-1/2	3.08	3.88	0.70	AN 15	W 15
SNW 116 X 2-11/16	3.2	2-11/16	3.20	4.16	0.67	AN 16	W 16
SNW 116 X 2-3/4	3.2	2-3/4	3.20	4.16	0.67	AN 16	W 16
SNW 117 X 2-15/16	3.4	2-15/16	3.31	4.41	0.70	AN 17	W 17
SNW 117 X 3	3.4	3	3.31	4.41	0.70	AN 17	W 17
SNW 118 X 3-3/16	4.0	3-3/16	3.55	4.66	0.78	AN 18	W 18
SNW 118 X 3-1/4	4.0	3-1/4	3.55	4.66	0.78	AN 18	W 18
SNW 120 X 3-7/16	6.3	3-7/16	3.97	5.19	0.84	AN 20	W 20
SNW 120 X 3-1/2	6.3	3-1/2	3.97	5.19	0.84	AN 20	W 20
SNW 122 X 3-11/16	6.5	3-11/16	4.35	5.72	0.91	AN 22	W 22
SNW 122 X 3-15/16	6.5	3-15/16	4.35	5.72	0.91	AN 22	W 22
SNW 122 X 4	6.5	4	4.35	5.72	0.91	AN 22	W 22
SNW 124 X 4-3/16	7.8	4-3/16	4.65	6.13	0.94	AN 24	W 24
SNW 124 X 4-1/4	7.8	4-1/4	4.65	6.13	0.94	AN 24	W 24
SNW 126 X 4-7/16	12.5	4-7/16	4.98	6.75	1.00	AN 26	W 26
SNW 126 X 4-1/2	12.5	4-1/2	4.98	6.75	1.00	AN 26	W 26
SNW 128 X 4-15/16	13.0	4-15/16	5.32	7.09	1.06	AN 28	W 28
SNW 128 X 5	13.0	5	5.32	7.09	1.06	AN 28	W 28
SNW 130 X 5-3/16	18.0	5-3/16	5.62	7.69	1.13	AN 30	W 30
SNW 130 X 5-1/4	18.0	5-1/4	5.62	7.69	1.13	AN 30	W 30
SNW 132 X 5-7/16	18.0	5-7/16	5.92	8.06	1.19	AN 32	W 32
SNW 134 X 5-15/16	21.0	5-15/16	6.19	8.66	1.22	AN 34	W 34
SNW 134 X 6	21.0	6	6.19	8.66	1.22	AN 34	W 34
SNW 136 X 6-7/16	20.5	6-7/16	6.46	9.06	1.25	AN 36	W 36
SNW 136 X 6-1/2	20.5	6-1/2	6.46	9.06	1.25	AN 36	W 36
SNW 138 X 6-15/16	28.0	6-15/16	6.76	9.47	1.28	AN 38	W 38
SNW 138 X 7	28.0	7	6.76	9.47	1.28	AN 38	W 38
SNW 140 X 7-3/16	35.5	7-3/16	7.10	9.84	1.34	AN 40	W 40
SNW 144 X 7-15/16	46.5	7-15/16	7.29	11.00	1.41	N 44	W 44
SNW 144 X 8	46.5	8	7.29	11.00	1.41	N 44	W 44



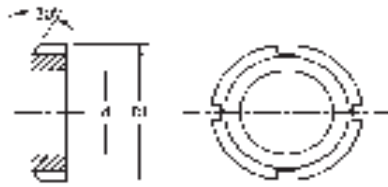
Inch Adapter Sleeves

With Nut and Washer

For 230 Series Bearings

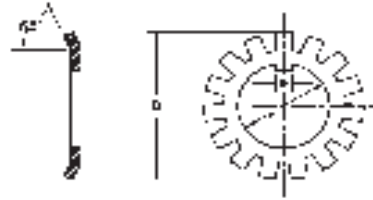
Part No. (Bore)	Weight Lbs.	Dimension in Inches				Lock Nut	Lock Washer
		d_1	l	D	c		
SNW 3024 X 4-3/16	6.2	4-3/16	2.95	5.69	0.94	AN 24	W 24
SNW 3026 X 4-7/16	7.5	4-7/16	3.24	6.13	1.00	AN 26	W 26
SNW 3026 X 4-1/2	7.5	4-1/2	3.24	6.13	1.00	AN 26	W 26
SNW 3028 X 4-15/16	8.5	4-15/16	3.34	6.50	1.06	AN 28	W 28
SNW 3028 X 5	8.5	5	3.34	6.50	1.06	AN 28	W 28
SNW 3030 X 5-3/16	9.8	5-3/16	3.49	7.13	1.13	AN 30	W 30
SNW 3030 X 5-1/4	9.8	5-1/4	3.49	7.13	1.13	AN 30	W 30
SNW 3032 X 5-7/16	12.0	5-7/16	3.71	7.50	1.19	AN 32	W 32
SNW 3034 X 5-15/16	13.5	5-15/16	4.02	7.88	1.22	AN 34	W 34
SNW 3034 X 6	13.5	6	4.02	7.88	1.22	AN 34	W 34
SNW 3036 X 6-7/16	15.0	6-7/16	4.34	8.25	1.25	AN 36	W 36
SNW 3036 X 6-1/2	15.0	6-1/2	4.34	8.25	1.25	AN 36	W 36
SNW 3038 X 6-15/16	17.0	6-15/16	4.41	8.69	1.28	AN 38	W 38
SNW 3038 X 7	17.0	7	4.41	8.69	1.28	AN 38	W 38
SNW 3040 X 7-3/16	19.5	7-3/16	4.75	9.44	1.34	AN 40	W 40
SNW 3044 X 7-15/16	24.5	7-15/16	5.13	10.25	1.38	N 44	W 44
SNW 3044 X 8	24.5	8	5.13	10.25	1.38	N 44	W 44
SNP 3048 X 8-7/16	31.0	8-7/16	5.43	11.44	1.70	N 048	P 48
SNP 3048 X 8-1/2	31.0	8-1/2	5.43	11.44	1.70	N 048	P 48
SNP 3048 X 8-15/16	32.0	8-15/16	5.43	11.44	1.70	N 048	P 48
SNP 3048 X 9	32.0	9	5.43	11.44	1.70	N 048	P 48
SNP 3052 X 9-7/16	41.0	9-7/16	6.02	12.19	1.77	N 052	P 52
SNP 3052 X 9-1/2	40.0	9-1/2	6.02	12.19	1.77	N 052	P 52
SNP 3056 X 9-15/16	47.0	9-15/16	6.19	13.00	1.86	N 056	P 56
SNP 3056 X 10	46.0	10	6.19	13.00	1.86	N 056	P 56
SNP 3056 X 10-7/16	45.0	10-7/16	6.19	13.00	1.86	N 056	P 56
SNP 3056 X 10-1/2	45.0	10-1/2	6.19	13.00	1.86	N 056	P 56
SNP 3060 X 10-15/16	59.0	10-15/16	6.73	14.19	1.97	N 060	P 60
SNP 3060 X 11	59.0	11	6.73	14.19	1.97	N 060	P 60
SNP 3064 X 11-1/2	66.0	11-1/2	6.95	15.00	2.06	N 064	P 64
SNP 3064 X 12	66.0	12	6.95	15.00	2.06	N 064	P 64
SNP 3068 X 12-7/16	78.0	12-7/16	7.54	15.75	2.19	N 068	P 68
SNP 3068 X 12-1/2	78.0	12-1/2	7.54	15.75	2.19	N 068	P 68
SNP 3072 X 13-7/16	86.0	13-7/16	7.58	16.50	2.19	N 072	P 72
SNP 3076 X 13-15/16	95.0	13-15/16	7.74	17.75	2.41	N 076	P 76
SNP 3076 X 14	95.0	14	7.74	17.75	2.41	N 076	P 76
SNP 3080 X 15	100.0	15	8.41	18.50	2.56	N 080	P 80
SNP 3084 X 15-3/4	105.0	15-3/4	8.50	19.31	2.56	N 084	P 84
SNP 3088 X 16	143.0	16	8.98	20.47	2.36	N 088	P 88
SNP 3088 X 16-1/2	143.0	16-1/2	8.98	20.47	2.36	N 088	P 88
SNP 3092 X 17	153.0	17	9.21	21.26	2.36	N 092	P 92
SNP 3096 X 18	161.0	18	9.33	22.05	2.36	N 096	P 96
SNP 3500 X 18-1/2	180.0	18-1/2	9.72	22.83	2.68	N 500	P 500

Inch Lock Nuts



Part No.	Thread per inch	d in.	D1 in.
N 00	32	0.39	0.76
N 01	32	0.47	0.88
N 02	32	0.59	1.01
N 03	32	0.66	1.13
N 04	32	0.78	1.38
N 05	32	0.97	1.57
N 06	18	1.17	1.76
N 07	18	1.38	2.07
N 08	18	1.56	2.26
N 09	18	1.77	2.54
N 10	18	1.97	2.69
N 11	18	2.16	2.97
N 12	18	2.36	3.16
N 13	18	2.55	3.38
N 14	18	2.75	3.63
AN 15	12	2.93	3.88
AN 16	12	3.14	4.16
AN 17	12	3.34	4.41
AN 18	12	3.53	4.66
AN 19	12	3.73	4.94
AN 20	12	3.92	5.19
AN 21	12	4.12	5.44
AN 22	12	4.33	5.72
AN 24	12	4.72	6.13
AN 26	12	5.11	6.76
AN 28	12	5.50	7.10
AN 30	12	5.89	7.69
AN 32	8	6.28	8.07
AN 34	8	6.66	8.66
AN 36	8	7.07	9.07
AN 38	8	7.47	9.47
AN 40	8	7.85	9.85
N 44	8	8.63	11.01

Inch Lock Washers



Part No.	d in.	D1 in.	e in.
W 00	0.41	0.88	0.12
W 01	0.48	1.02	0.12
W 02	0.60	1.16	0.12
W 03	0.68	1.33	0.12
W 04	0.80	1.53	0.18
W 05	0.99	1.72	0.18
W 06	1.19	1.92	0.18
W 07	1.40	2.25	0.18
W 08	1.58	2.47	0.29
W 09	1.79	2.73	0.29
W 10	1.99	2.92	0.29
W 11	2.18	3.11	0.29
W 12	2.40	3.34	0.29
W 13	2.59	3.58	0.29
W 14	2.79	3.83	0.29
W 15	2.97	4.11	0.29
W 16	3.18	4.38	0.35
W 17	3.40	4.63	0.35
W 18	3.58	4.94	0.35
W 19	3.80	5.22	0.35
W 20	3.99	5.50	0.35
W 21	4.19	5.70	0.35
W 22	4.40	6.06	0.35
W 24	4.80	6.47	0.35
W 26	5.19	7.03	0.44
W 28	5.58	7.44	0.59
W 30	5.98	8.06	0.59
W 32	6.39	8.44	0.59
W 34	6.76	9.06	0.72
W 36	7.17	9.44	0.72
W 38	7.58	9.88	0.72
W 40	7.98	10.31	0.84
W 44	8.70	11.44	0.94