

## Accessories program

### Clamps and spacers

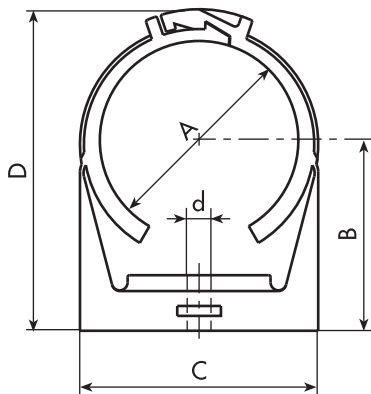
#### 1. Introduction

The two clamps and the spacer from the range of simatec accessories have the following features:

- Simple assembly.
- The clamps can be opened and closed without tools.
- The Perma clamp adapter can be used to attach the simalube lubricator to existing installations for Perma lubricators.

#### 2. Technical data

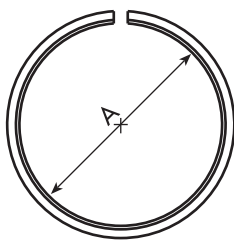
##### 2.1 Clamps



Material: Polyamide PA 12  
 Colour: grey  
 Temperature resistance: -40 to +80 °C  
 Dimensions: see table  
 Packing unit: 1 piece

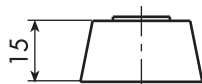
Dimensions:

Article No.	A	B [mm]	C	D	d	N	Weight [g]
2010	50,5–55,5	44,3	58,6	78,7	4,6	500 N	24
2013	27,8–31,2	28,8	33,4	48,9	4,6	320 N	10
2015	21,8–24,8	25,5	27,8	43,5	4,6	215 N	09

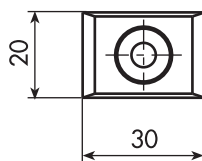


##### 2.2 Perma clamp adapter

Material: plastic/rubber  
 Colour: grey/black  
 Diameter A: 51 mm  
 Weight: 21 g  
 Packing unit: 1 piece



##### 2.3 Spacer



Material: Polyamide PA 12  
 Colour: grey  
 Length: 30 mm  
 Width: 20 mm  
 Height: 15 mm (A)  
 Weight: 3 g  
 Temperature resistance: -40 to +80 °C  
 Packing unit: 1 piece

## Accessories program

### Clamps and spacers

#### 3. Installation and start-up

- 3.1 Fasten clamps with screw or insert Perma clamp adapter into existing pipe clamp.
- 3.2 Wedge simalube lubricator with the clamp, snap it on either in the first or second position as required.
- 3.3 If the dispenser is equipped with a round brush Art. No. 2034, it can also be fastened on the round brush. This is fastened using clamp Art. No. 2013.
- 3.4 If the system (dispenser and round brush) is exposed to severe vibrations, it is also necessary to fasten the dispenser using a clamp. In this case the spacer Art. No. 2014 should be placed under the clamp Art. No. 2013 (on the round brush).

#### 4. Note

- It is recommended to use clamps from the range of simatec accessories.
- If other clamps are used, the lubricator may get deformed, which can have negative effects on proper functioning.