



## Worldwide Sales Offices

**NSK Ltd. - Headquarters, Tokyo, Japan** [www.nsk.com](http://www.nsk.com)  
Americas & Europe Department tel: 03-3779-7120  
Asia Marketing & Sales Department tel: 03-3779-7121

**Africa**  
**South Africa:**  
NSK South Africa (Pty) Ltd.  
Johannesburg tel: (011) 458 3600

**Asia and Oceania**  
**Australia:** [www.nskaustralia.com.au](http://www.nskaustralia.com.au)  
NSK Australia Pty. Ltd.  
Melbourne tel: (03) 9764-8302

**China:**  
NSK Hong Kong Ltd.  
Hong Kong tel: 2739-9933  
Kunshan NSK Co., Ltd.  
Kunshan tel: 0520-7305654  
Guizhou HS NSK Bearings Co., Ltd.  
Anshun tel: 0853-3521505  
NSK (Shanghai) Trading Co., Ltd.  
Shanghai tel: 021-62099051  
NSK representative office  
Beijing tel: 010-6590-8161  
NSK representative office  
Shanghai tel: 21-6209-9051  
NSK representative office  
Guangzhou tel: 020-8732-0583  
NSK representative office  
Anshun tel: 0853-3522522

**India:**  
Rane NASTECH Ltd.  
Chennai tel: 04114-65313, 65314, 65365, 66002  
NSK representative office  
Chennai tel: 044-4334732

**Indonesia:**  
PT. NSK Bearings Manufacturing Indonesia  
Jakarta tel: 021-898-0155

**Korea:**  
NSK Korea Co., Ltd.  
Seoul tel: 02-3287-0300  
NSK Korea Co., Ltd., Changwon Plant  
Changwon tel: 0551-287-6001

**Malaysia:**  
NSK Bearings (Malaysia) Sdn. Bhd.  
Kuala Lumpur tel: 03-7958-4396  
NSK Micro Precision (M) Sdn. Bhd.  
Kuala Lumpur tel: 03-961-6288

**New Zealand:** [www.nsk-rnp.co.nz](http://www.nsk-rnp.co.nz)  
NSK New Zealand Ltd.  
Auckland tel: (09) 276-4992

**Philippines:**  
NSK representative office  
Manila tel: 02-759-6246

**Singapore:**  
NSK International (Singapore) Pte Ltd.  
Singapore tel: (65) 273 0357  
NSK Singapore (Pte) Ltd.  
Singapore tel: (65) 278 1711

**Taiwan:**  
Taiwan NSK Precision Co., Ltd.  
Taipei tel: 02-2591-0656

**Thailand:**  
NSK Bearings (Thailand) Co., Ltd.  
Bangkok tel: 02-6412150-58  
NSK Safety Technology (Thailand) Co., Ltd.  
Chonburi tel: (038) 214-317-8  
Siam NASTECH Co., Ltd.  
Chachoengsao tel: (038) 522-343-350

**Europe**  
**NSK Europe Ltd.**  
**(European Headquarters)** [www.eu.nsk.com](http://www.eu.nsk.com)  
Maidenhead, England tel: 0162-850-9800

**France:**  
NSK France S.A.  
Paris tel: 01 30 57 39 39

**Germany:**  
NSK Deutschland GmbH  
Düsseldorf tel: 02102-481-0  
NSK Steering Systems Europe Ltd.  
Stuttgart tel: 0771-79082-277

Neuweg Fertigung GmbH  
Munderkingen tel: 07393-540

**Italy:**  
NSK Italia S.P.A.  
Milano tel: 02-995-191

**Poland:**  
NSK Europe Ltd. Warsaw Liaison Office  
Warsaw tel: 48-22-645-1525, 1526

NSK Iskra S.A.  
Kielce tel: 48-41-366-6111

**Spain:**  
NSK Spain S.A.  
Barcelona tel: 93-575-4041

**Turkey:**  
NSK Bearings Middle East Trading Co., Ltd.  
Istanbul tel: 90-216-442-7106

**United Kingdom:**  
NSK Bearings Europe Ltd.  
Peterlee, England tel: 0191-586-6111  
NSK UK Ltd.  
Newark, England tel: 0163-660-5123  
NSK Steering Systems Europe Ltd.  
Coventry, England tel: 024-76-588588

**North and South America**  
**NSK Americas, Inc. (American Headquarters)**  
Ann Arbor, Michigan, U.S.A. tel: 734-913-7500

**Argentina:**  
NSK Argentina SRL  
Buenos Aires tel: 011-4762-6556

**Brazil:** [www.br.nsk.com](http://www.br.nsk.com)  
NSK Brasil Ltda.  
São Paulo tel: 011-3269-4700

**Canada:** [www.ca.nsk.com](http://www.ca.nsk.com)  
NSK Canada Inc.  
Toronto tel: 905-890-0740

**Mexico:**  
NSK Rodamientos Mexicana, S.A. de C.V.  
Mexico City tel: 5-301-2741

**United States of America:** [www.us.nsk.com](http://www.us.nsk.com)  
NSK Corporation  
Ann Arbor, Michigan tel: 734-913-7500

Sales Offices:  
Ann Arbor, Michigan tel: 734-913-7500  
Santa Fe Springs, California tel: 562-968-1000

NSK American Technical Center  
Ann Arbor, Michigan tel: 734-913-7500

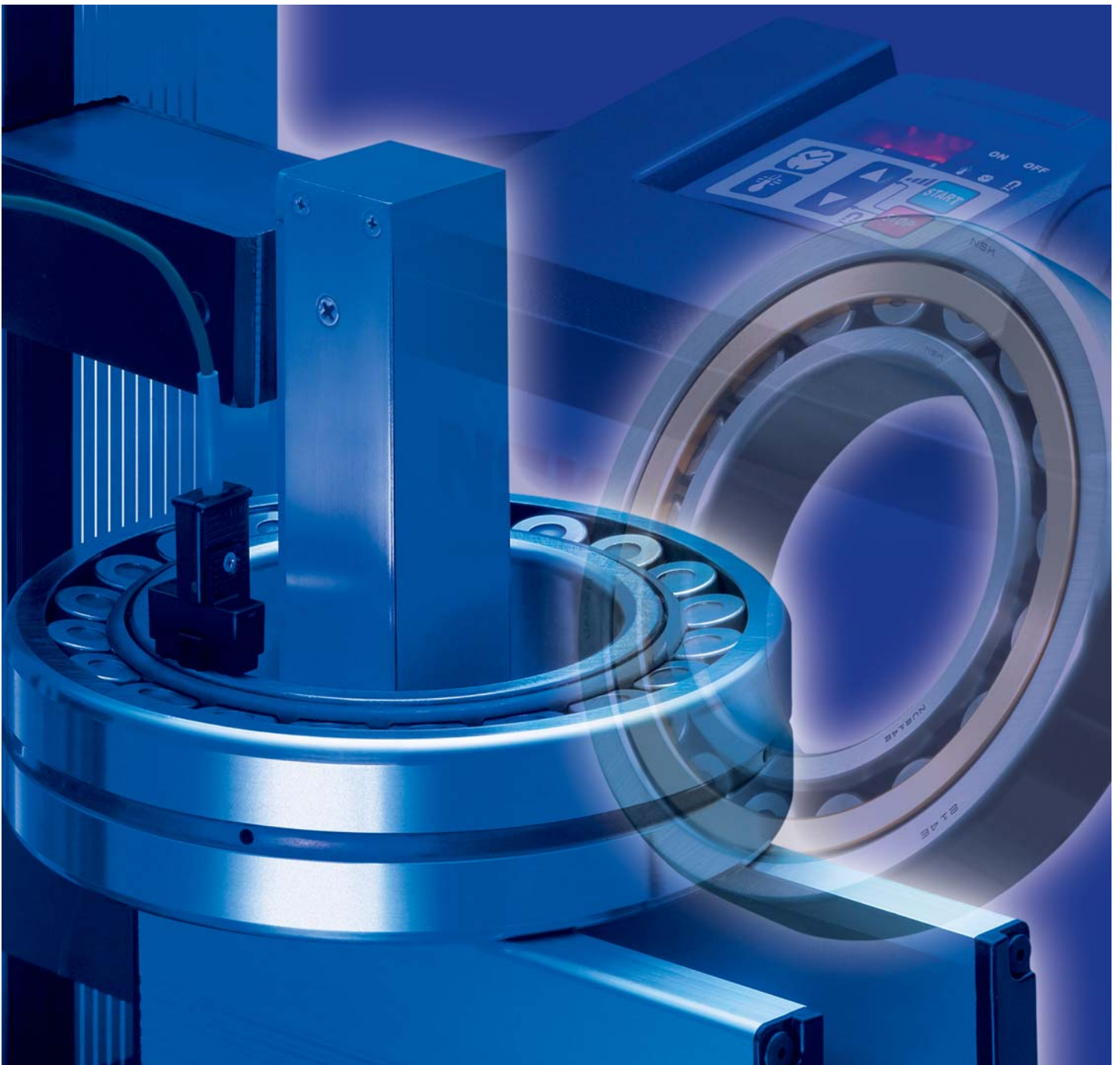
NSK Precision America, Inc.  
Franklin, Indiana tel: 317-738-5038  
San Jose, California tel: 408-944-9400

[www.npa.nsk.com](http://www.npa.nsk.com)

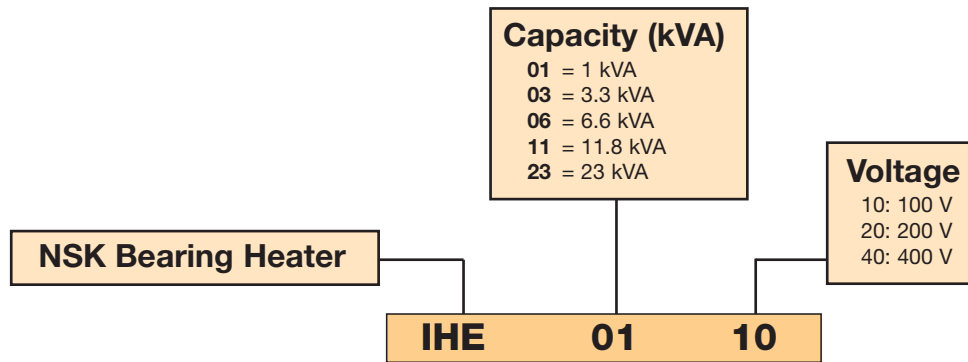
NKS Steering Systems America  
Bennington, Vermont tel: 802-442-5448  
NSK Latin America Inc. [www.la.nsk.com](http://www.la.nsk.com)  
Miami, Florida tel: (305) 477-0605

NSK Ltd. has a basic policy not to export any products or technology designated as controlled items by export-related laws. When exporting the products in this brochure, the laws of the exporting country must be observed. Specifications are subject to change without notice and without any obligation on the part of the manufacturer. Every care has been taken to ensure the accuracy of the data contained in this brochure, but no liability can be accepted for any loss or damage suffered through errors or omissions. We will gratefully acknowledge any additions or corrections.

# Induction Bearing Heaters



# NSK Bearing Heaters



Induction heater usage is a safe and preferred method of heating a bearing in comparison to using a flame or oil bath. Bearing heaters produce strong alternating magnetic fields that induce eddy currents in the metals. The currents cause rapid and efficient heating of the component. The low voltage output eliminates any hazards caused by shocks or sparks.

Bearing heaters from NSK offer a fast, safe and efficient way to mount straight bore bearings on to shafts. They provide uniform inner ring heating that helps to reduce bearing mounting time and cost. Automatic temperature and demagnetizing control features, a light, compact design and the versatility to heat many different bearing sizes make NSK bearing heaters a must-have for maintenance professionals.



# Bearing Heater Standard Specifications

Part Number		IHE0110	IHE0120	IHE0320	IHE0340	IHE0620	IHE0640	IHE1120	IHE1140	IHE2320	IHE2340
Heating Capacity		1kVA		3.3kVA		6.6kVA		11.8kVA		23kVA	
Applicable Bearing Size	Minimal Bore Diameter (mm $\phi$ )	20		35		35		50		50	
	Maximum Outside Diameter (mm $\phi$ )	200		300		350		600		800	
	Thickness (mm)	70		110		200		300		400	
	Weight (kg)	12		40		80		300		600	
Heated Bearing Type	Can Heat Pre-greased Bearing	Yes									
	Can Heat Sealed Bearing	Yes									
Power Supply Characteristics	Phase	Single		Three		Three		Three		Three	
	Voltage (V)	100-120V   200-240V		200-240V   380-480V		200-240V   380-480V		200-240V   380-480V		200-240V   380-480V	
	Frequency	50/60Hz		50/60Hz		50/60Hz		50/60Hz		50/60Hz	
	Input Current (A)	7.2A	4.0A	5.3A	2.7A	8.1A	4.0A	13.2A	6.6A	27.0A	13.5A
Dimensions of Body	H (mm)	347		510		660		1230		1435	
	W (mm)	175		305		385		700		850	
	L (mm)	470		755		975		1250		1600	
	Main Body Weight (kg)	13.6	13.2	43		81		241		335	
	Accessories Weight (kg)	2.4		6.6		12.5		33.7		64.2	
Control Specifications	Temperature Control Mode	Range	36 – 250°C								
		Temp. Sensor Type	K – type								
		Accuracy	1°C								
	Time Control Mode	Range	0 – 100 min								
		Accuracy	1s								
	Power Reduction	By 10%	50 – 100%								
Demagnetization		300 $\mu$ T(3G)									
Heating Core Spec.	Maximum Flux (T)	1.5T									
Operation Spec.	Operation	Operator with LEDs									
	Sequence Operation	Yes									
Temp. Display	Celsius/Fahrenheit Changeover	Yes									

Slide Type Bearing Installation Table							
I-Type Core	N-CI-1815	(bore diameter 20~35)	•				
	N-CI-1825	(bore diameter 35~50)	•				
	N-CI-1835	(bore diameter 50mm above)	•				
	N-CI-2525	(bore diameter 35~50)		•			
	N-CI-2535	(bore diameter 50~70)		•			
	N-CI-2545	(bore diameter 70mm above)		•			
	N-CI-3725	(bore diameter 35~50)			•		
	N-CI-3735	(bore diameter 50~80)			•		
	N-CI-3755	(bore diameter 80mm above)			•		
	N-CI-5235	(bore diameter 50~80)				•	
	N-CI-5255	(bore diameter 80~100)				•	
	N-CI-5270	(bore diameter 100mm above)				•	
	N-CI-6735	(bore diameter 50~80)					•
	N-CI-6755	(bore diameter 80~130)					•
	N-CI-6785	(bore diameter 130mm above)					•
I-Type Core Lift-up Tool	N-CL-578					•	•
Temperature Sensor	N-CTC-300	lead length 300 mm	•				
	N-CTC-500	lead length 500 mm		•	•		
	N-CTC-1000	lead length 1000 mm				•	•

Remarks 1. Bearings should not be heated higher than 120°C (248°F).  
2. Handle the heated product with care.

# Three Advantages

## 1 Even Heating Without Bearing Damage

The use of direct flame or a blowtorch to heat a bearing is hazardous, risky and may cause uneven thermal expansion and/or material alteration.

NSK's induction bearing heater uses the electromagnetic induction principle to heat bearings evenly, allowing them to thermally expand without causing damage to the bearings.

This feature eliminates unnecessary damage, thereby improving work efficiency.

## 2 Quick and Efficient Heating

NSK's induction bearing heater has exciting coils embedded in a core similar to the primary winding in a transformer. AC current flowing through the coils induces a secondary current around the inner ring of the bearing, which generates heat due to the bearing's resistance to electrical currents.

This reduces energy waste and allows for quick heating of the bearing. The induction heating method provides high safety, reliability and work efficiency.

## 3 Clean Heating

The oil bath shrink fit process requires extra time and cost to clean the bearing, even with the use of new oil. NSK's induction bearing heaters heat cleanly and retain the original pre-lubrication, even on grease sealed bearings, without the use of oil.

Oil storage management is not required, thereby improving the working environment.







# Bearing Heater

## Environmentally Friendly with High Functionality

NSK's induction bearing heater provides a proper shrink-fitting process, which extends the life expectancy of a bearing. This process is less hazardous and better for personal health and safety. The force fit methods, using a hammer or a press, have a higher likelihood of causing damage to a bearing. This shortens bearing life expectancy. Traditional and conventional heating methods, such as ovens, oil baths or blowtorches, produce smoke, fumes or oil waste. These are hazardous to human health and impose a burden on the environment. NSK's bearing heater provides a solution to these problems.

# Three Features

## 1 Versatile

NSK's induction bearing heater is designed primarily for the heating of bearings. However, it can heat bushings, gears, pulleys, couplings and other ring-shaped objects.

## 2 Built-in Demagnetization

NSK's induction bearing heater is digitally controlled and demagnetizes a bearing automatically after heating. Manual demagnetization is also possible.

## 3 Temperature and Timer Control

NSK's induction bearing heater has two control modes: Temperature and Time. In Temperature Control Mode, the temperature can be set up to 250°C as standard. The temperature indication can be changed to Fahrenheit or Celsius through the control panel. Temperature retention keeps the bearing at the set temperature until Stop is pressed. In Timer Control Mode, time can be set up to 60 minutes.



### Slide Type Bearing Installation Table

Once a bearing and I-type core are installed in the Slide Type Bearing

Installation Table, one simply has to move the table to the heating position. This device enables easy mounting and dismounting of hot and heavy bearings.

### Temperature Sensor

The small and sensitive temperature sensor continuously monitors the bearing temperature to ensure precise detection of bearing temperature. The sensor works at high temperature rising rates as well as when the sensor is set in a confined area.

### Power Supply Compatibility

NSK's induction bearing heater is compatible with a wide range of voltage and frequency supplies. Stationary types of bearing heaters are connected to a 3-phase AC power supply, while portable types are connected to a single-phase AC power supply.



## Fault Tolerance

When heating a bearing without installing the temperature sensor and in other abnormal incidences, NSK's bearing heater detects the faults and stops heating automatically. This assures safe operation of the bearing heater.

## Operation Panel

The operation panel is common to all types of NSK bearing heaters. The user-friendly panel is operated by use of push-button symbols. Symbols represent individual elemental commands of the bearing heater. The external control signal inputs and outputs are standard and allow the bearing heater to be embedded into your FA system.

## Broad Range of Work Size

NSK's bearing heaters accommodate a broad range of bearing sizes by selecting an I-type core suitable for the inner ring diameter.

## Optimal Heating

NSK's bearing heater senses the electrical properties of the bearing and the I-type core, heating the work using optimal conditions. IDBH series features a convenient Power Reduction function that sets the reduction rate 50-100% by 10% for delicate work requiring slow heating.

