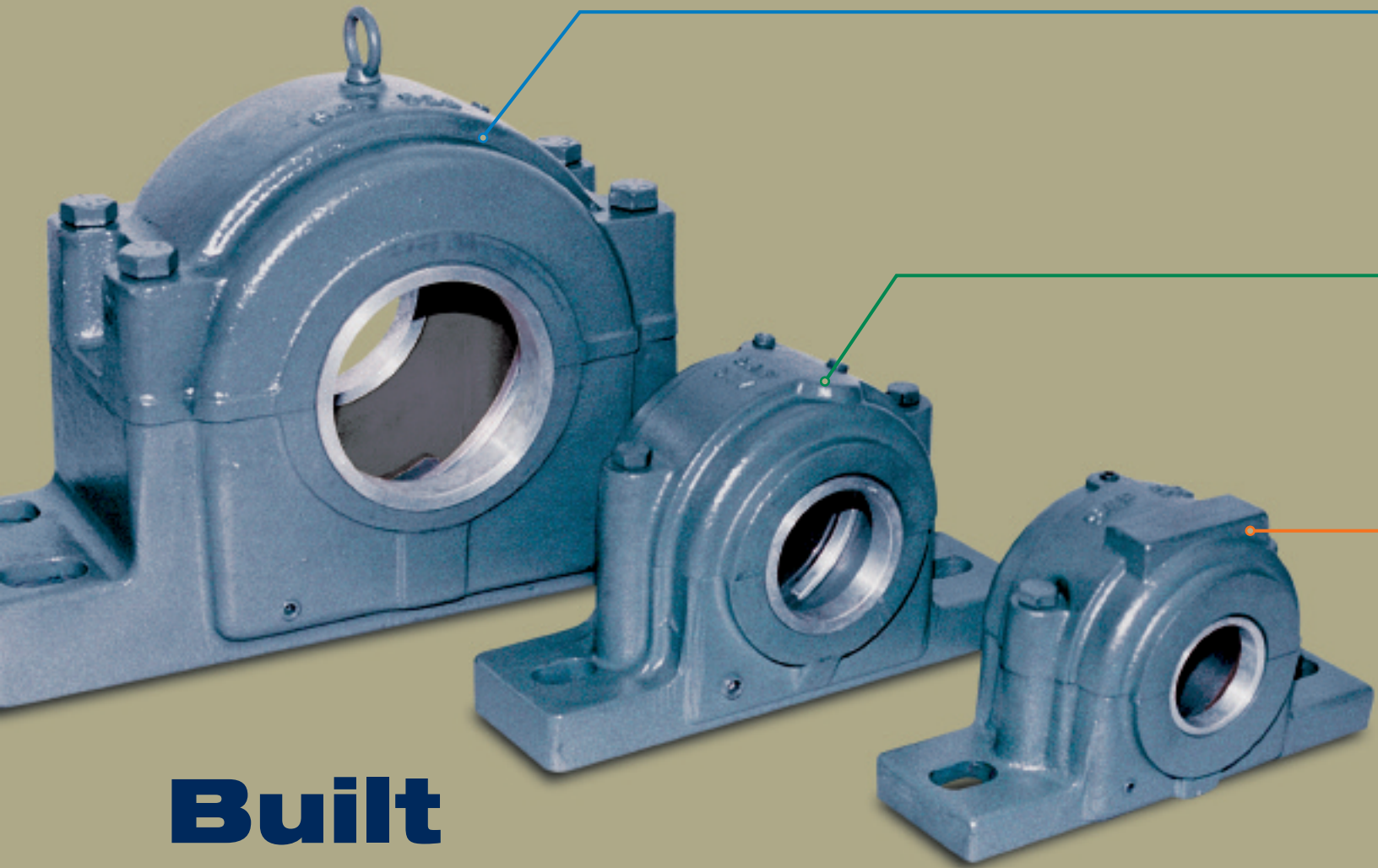


SAF Series

Pillow Blocks



Built

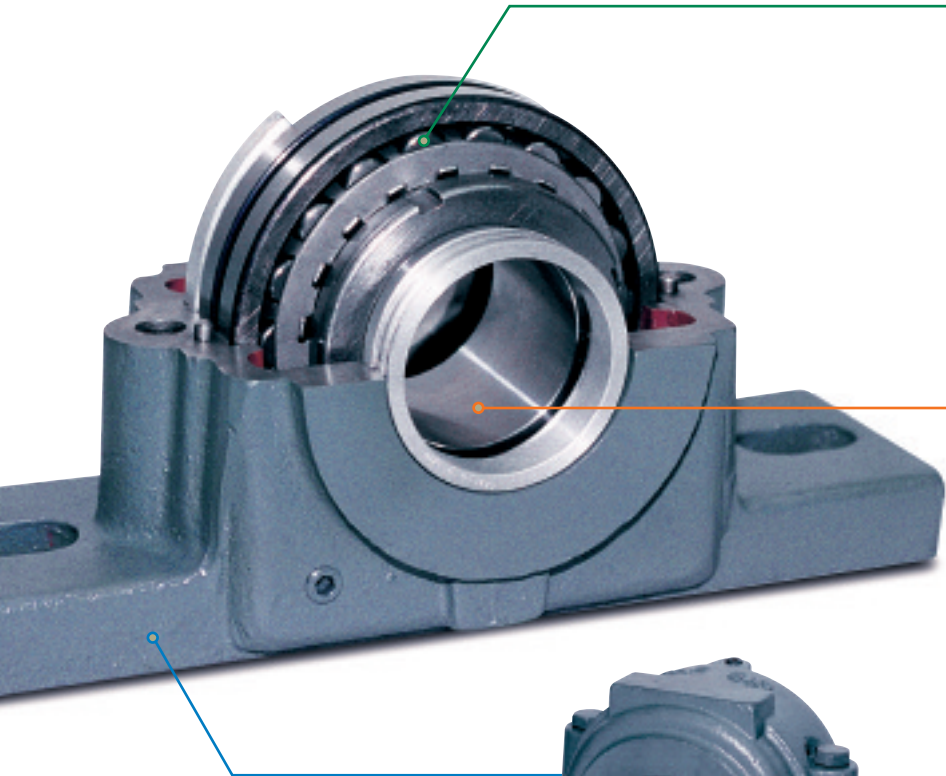
for

Heavy loads

We know what it takes to perform

NSK bearings have a proven history of exceptional performance in a variety of applications. Each one of our motion control products is engineered for longer life and smooth operation in even the most extreme environments. SAF Pillow Blocks are ideal for handling heavy radial loads and providing improved performance in pulp and paper machinery, mining equipment, steel mill equipment, material handling equipment, agricultural equipment, and pumps. The housings are made of cast iron with multiple grease fittings, and available accessories include seals, end covers and fixing rings. In addition, each unit is backed by a team of customer service technicians experienced in providing solutions to your world of motion. Contact your NSK representative today to find out

Their strength is in their design



Bearing

- Spherical Roller Bearings
- Oil Lubrication Holes
- Pressed Steel or Brass Cage



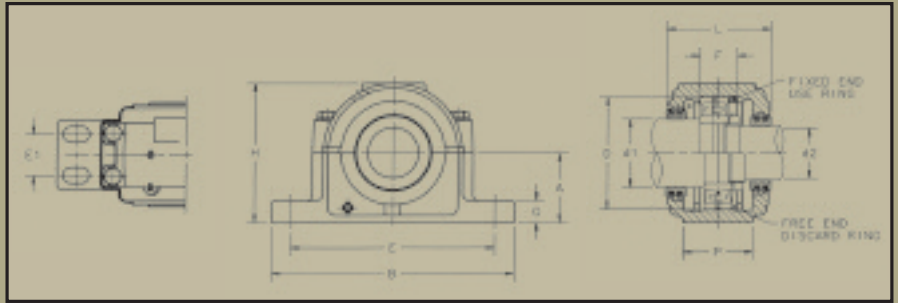
Adapter

- Inch Series
- High Quality Material
- Includes Lockwasher and Nut

Housing

- Cast Iron, Ductile Iron or Cast Steel
- Rigid Design
- Easy Mounting
- Multiple Grease

SERIES SAF 200-300 HOUSING DIAGRAM



SERIES SAF 200 HOUSING DIMENSIONS

Housing No.	A	B	P	G	E		E1	H	L	Bolts (No. Req'd)	Wt. lbs. *	D mm	F mm	d1 in.	d2 in.
	In.	In.	In.	In.	Max In.	Min In.	In.	In.	In.						
SAF 216	3-1/2	13	3-1/2	1-1/4	11	9-5/8	--	6-15/16	5-3/8	(2)-3/4	22.9	140	43	3-5/8	3
FSAF 216	3-1/2	13	3-1/2	1-1/4	11	9-5/8	2-1/8	6-15/16	5-3/8	(4)-5/8	22.9	140	43	3-5/8	3
SAF 217	3-3/4	13	3-1/2	1-1/4	11	9-7/8	--	7-3/8	5-3/8	(2)-3/4	28.6	150	46	3-15/16	3-3/16
FSAF 217	3-3/4	13	3-1/2	1-1/4	11	9-7/8	2-1/8	7-3/8	5-3/8	(4)-5/8	28.6	150	46	3-15/16	3-3/16
SAF 218	4	13-3/4	3-7/8	1-5/16	11-5/8	10-3/8	--	7-3/4	5-3/4	(2)-3/4	34.5	160	50	4-1/8	3-3/8
FSAF 218	4	13-3/4	3-7/8	1-5/16	11-5/8	10-3/8	2-1/8	7-3/4	5-3/4	(4)-5/8	34.5	160	50	4-1/8	3-3/8
SAF 220	4-1/2	15-1/4	4-3/8	1-3/4	13-1/8	11-5/8	--	8-3/4	6	(2)-7/8	50.7	180	56	4-1/2	3-13/16
FSAF 220	4-1/2	15-1/4	4-3/8	1-3/4	13-1/8	11-5/8	2-3/8	8-3/4	6	(4)-3/4	50.7	180	56	4-1/2	3-13/16
SAF 222	4-15/16	16-1/2	4-3/4	2	14-1/2	12-5/8	2-3/4	9-5/8	6-1/2	(4)-3/4	64.8	200	63	4-7/8	4-3/16
SAF 224	5-1/4	16-1/2	4-3/4	2-1/8	14-1/2	13-1/4	2-1/8	10-1/4	7-3/8	(4)-3/4	68.3	215	68	5-5/16	4-9/16
SAF 226	6	18-3/8	5-1/8	2-3/8	16	14-5/8	3-1/4	11-1/2	8	(4)-7/8	103.1	230	74	5-7/8	4-15/16
SAF 228	6	20-1/8	5-7/8	2-3/8	17-1/8	16	3-3/8	11-3/4	7-5/8	(4)-1	113.1	250	78	6-1/4	5-5/16
SAF 230	6-5/16	21-1/4	6-1/4	2-1/2	18-1/4	17	3-3/4	12-1/2	8-3/8	(4)-1	146.7	270	83	6-5/8	5-3/4
SAF 232	6-11/16	22	6-1/4	2-5/8	19-1/4	17-3/8	3-3/4	13-5/16	8-3/4	(4)-1	169.7	290	90	7	6-1/16
SAF 234	7-1/16	24-3/4	6-3/4	2-3/4	21-5/8	19-3/8	4-1/4	14-3/16	9-5/8	(4)-1	179.3	310	96	7-7/16	6-7/16
SAF 236	7-1/2	26-3/4	7-1/8	3	23-5/8	20-7/8	4-5/8	14-7/8	10	(4)-1	212.1	320	96	7-13/16	6-7/8
SAF 238	7-7/8	28	7-1/2	3-1/8	24-3/8	21-5/8	4-1/2	15-11/16	10-3/4	(4)-1 1/4	284.8	340	102	8-3/8	7-1/4
SAF 240	8-1/4	29-1/2	8	3-3/8	25	22-1/2	5	16-1/2	11-1/4	(4)-1 1/4	342.3	360	108	8-3/4	7-5/8
SAF 244	9-1/2	32-3/4	8-3/4	3-3/4	27-7/8	24-3/4	5-1/4	18-5/8	12	(4)-1 1/2	425.5	400	118	9-9/16	8-5/16

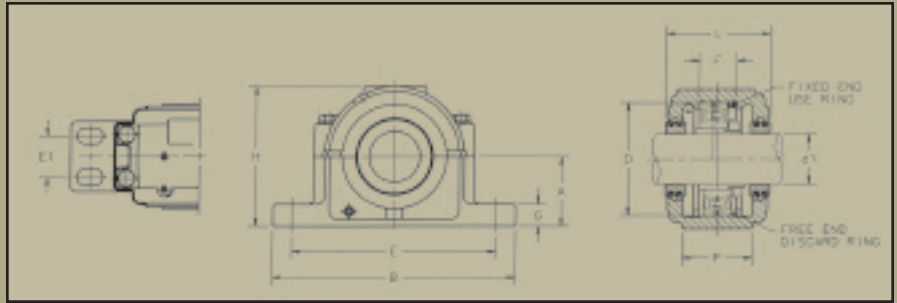
* - weights are approximate

SERIES SAF 300 HOUSING DIMENSIONS

Housing No.	A	B	P	G	E		E1	H	L	Bolts (No. Req'd)	Wt. lbs. *	D mm	F mm	d1 in.	d2 in.
	In.	In.	In.	In.	Max In.	Min In.	In.	In.	In.						
SAF 308	2-1/2	8-1/4	2-3/8	1	7	6-1/2	--	4-13/16	4	(2)-1/2	11.2	90	42.8	1-15/16	1-7/16
SAF 309	2-3/4	9-5/8	2-3/4	1	7-3/8	5-5/16	--	5-5/16	4-1/4	(2)-5/8	14.3	100	46	2-1/8	1-11/16
SAF 310	3	10-5/8	2-3/4	1-1/8	9	7-3/4	--	5-13/16	4-5/8	(2)-5/8	17.8	110	51	2-3/8	1-7/8
SAF 311	3-1/4	11	3-1/8	1-3/16	9-1/2	8-1/8	--	6-3/16	5	(2)-5/8	20.2	120	53	2-9/16	2-1/16
FSAF 311	3-1/4	11	3-1/8	1-3/16	9-1/2	8-1/8	2	6-3/16	5	(4)-1/2	20.2	120	53	2-9/16	2-1/16
SAF 313	3-1/2	13	3-1/2	1-1/4	11	9-5/8	--	6-15/16	5-3/8	(2)-3/4	28.6	140	58	3-1/16	2-7/16
FSAF 313	3-1/2	13	3-1/2	1-1/4	11	9-5/8	2-1/8	6-15/16	5-3/8	(4)-5/8	28.6	140	58	3-1/16	2-7/16
SAF 315	4	13-3/4	3-7/8	1-5/16	11-5/8	10-3/8	--	7-13/16	6-1/4	(2)-3/4	39.6	160	65	3-7/16	2-13/16
FSAF 315	4	13-3/4	3-7/8	1-5/16	11-5/8	10-3/8	2-1/8	7-13/16	6-1/4	(4)-5/8	39.6	160	65	3-7/16	2-13/16
SAF 316	4-1/4	14-1/4	3-7/8	1-5/16	12-5/8	10-5/8	--	8-1/4	6-1/2	(2)-3/4	49.8	170	68	3-5/8	3
FSAF 316	4-1/4	14-1/4	3-7/8	1-5/16	12-5/8	10-5/8	2-1/8	8-1/4	6-1/2	(4)-5/8	49.8	170	68	3-5/8	3
SAF 317	4-1/2	15-1/4	4-3/8	1-3/4	13-1/8	11-5/8	--	8-3/4	6-3/4	(2)-7/8	53.7	180	70	3-15/16	3-3/16
FSAF 317	4-1/2	15-1/4	4-3/8	1-3/4	13-1/8	11-5/8	2-3/8	8-3/4	6-3/4	(4)-3/4	53.7	180	70	3-15/16	3-3/16
SAF 318	4-3/4	15-1/2	4-3/8	2	13-1/2	12	2-1/4	9-3/16	6-7/8	(4)-3/4	59	190	74	4-1/8	3-3/8
SAF 320	5-1/4	16-1/2	4-3/4	2-1/8	14-1/2	13-1/4	2-3/4	10-1/4	7-3/8	(4)-3/4	81.3	215	83	4-1/2	3-13/16
SAF 322	6	18-3/8	5-1/8	2-3/8	16	14-5/8	3-1/4	11-1/2	8	(4)-7/8	96.5	240	90	4-7/8	4-3/16
SAF 324	6-5/16	21-1/4	6-1/4	2-1/2	18-1/4	17	3-3/4	12-1/2	8-3/8	(4)-1	142.1	260	96	5-5/16	4-9/16
SAF 326	6-11/16	22	6-1/4	2-5/8	19-1/4	17-3/8	3-3/4	13-5/16	8-3/4	(4)-1	176.3	280	103	5-7/8	4-15/16
SAF 328	7-1/16	24-3/4	6-3/4	2-3/4	21-5/8	19-3/8	4-1/4	14-3/16	9-5/8	(4)-1	207.8	300	112	6-1/4	5-5/16
SAF 330	7-1/2	26-3/4	7-1/8	3	23-5/8	20-7/8	4-5/8	14-7/8	9-3/4	(4)-1	249.1	320	118	6-5/8	5-3/4
SAF 332	7-7/8	28	7-1/2	3-1/8	24-3/8	21-5/8	4-1/2	15-11/16	10-3/4	(4)-1 1/4	289.6	340	124	7	6-1/16
SAF 334	8-1/4	29-1/2	8	3-3/8	25	22-1/2	5	16-1/2	11-1/4	(4)-1 1/4	345.3	360	130	7-7/16	6-7/16
SAF 336	8-7/8	31-1/4	8-1/4	3-1/2	26-5/8	24	5-1/4	17-3/4	11-3/8	(4)-1 1/4	389.2	380	136	7-13/16	6-7/8
SAF 338	9-1/2	32-3/4	8-3/4	3-3/4	27-7/8	24-3/4	5-1/4	18-5/8	12	(4)-1 1/2	436.5	400	142	8-3/8	7-1/4
SAF 340	9-7/8	34-1/4	9	4	29-1/2	26-1/4	5-1/2	20	12-1/16	(4)-1 1/2	478.6	420	148	8-3/4	7-5/8

* - weights are approximate

SERIES SAF 500-600 HOUSING DIAGRAM



SERIES SAF 500 HOUSING DIMENSIONS

Housing No.	A	B	P	G	E		E1	H	L	Bolts (No. Req'd)	Wt.	D	F	d1
	In.	In.	In.	In.	Max In.	Min In.	In.	In.	In.	In.	lbs. *	mm	mm	In.
SAF 509	2-1/4	8-1/4	2-3/8	13/16	7	6-1/4	--	4-3/8	3-5/8	(2)-1/2	9.3	85	29	1-7/16
SAF 510	2-1/2	8-1/4	2-3/8	15/16	7	6-1/2	--	4-3/4	3-5/8	(2)-1/2	10.2	90	30	1-11/16
SAF 511	2-3/4	9-5/8	2-3/4	15/16	7-7/8	7-3/8	--	5-1/4	3-7/8	(2)-5/8	12.5	100	31	1-15/16
SAF 513	3	11	3-1/8	1	9-1/2	8-1/8	--	5-15/16	4-1/2	(2)-5/8	18.3	120	39	2-3/16
FSAF 513	3	11	3-1/8	1	9-1/2	8-1/8	2	5-15/16	4-1/2	(4)-1/2	18.3	120	39	2-3/16
SAF 515	3-1/4	11-1/4	3-1/8	1-1/8	9-5/8	8-5/8	--	6-3/8	4-3/4	(2)-5/8	18.3	130	37	2-7/16
FSAF 515	3-1/4	11-1/4	3-1/8	1-1/8	9-5/8	8-5/8	1-7/8	6-3/8	4-3/4	(4)-1/2	18.3	130	37	2-7/16
SAF 516	3-1/2	13	3-1/2	1-3/16	11	9-5/8	--	6-7/8	4-7/8	(2)-3/4	26.9	140	43	2-11/16
FSAF 516	3-1/2	13	3-1/2	1-3/16	11	9-5/8	2-1/8	6-7/8	4-7/8	(4)-5/8	26.9	140	43	2-11/16
SAF 517	3-3/4	13	3-1/2	1-1/4	11	9-7/8	--	7-5/16	5	(2)-3/4	29.8	150	46	2-11/16
FSAF 517	3-3/4	13	3-1/2	1-1/4	11	9-7/8	2-1/8	7-5/16	5	(4)-5/8	29.8	150	46	2-15/16
SAF 518	4	13-3/4	3-7/8	1-5/16	11-5/8	10-3/8	--	7-3/4	5-3/4	(2)-3/4	36.6	160	50	3-3/16
FSAF 518	4	13-3/4	3-7/8	1-5/16	11-5/8	10-3/8	2-1/8	7-3/4	5-3/4	(4)-5/8	36.6	160	50	3-3/16
SAF 520	4-1/2	15-1/4	4-3/8	1-3/4	13-1/8	11-5/8	--	8-3/4	6-1/8	(2)-7/8	50.2	180	56	3-7/16
FSAF 520	4-1/2	15-1/4	4-3/8	1-3/4	13-1/8	11-5/8	2-3/8	8-3/4	6-1/8	(4)-3/4	50.2	180	56	3-7/16
SAF 522	4-15/16	16-1/2	4-3/4	2	14-1/2	12-5/8	2-3/4	9-5/8	6-1/2	(4)-3/4	60.1	200	63	3-15/16
SAF 524	5-1/4	16-1/2	4-3/4	2-1/8	14-1/2	13-1/4	2-3/4	10-1/4	7-3/8	(4)-3/4	71.2	215	68	4-3/16
SAF 526	6	18-3/4	5-1/8	2-3/8	16	14-5/8	3-1/4	11-1/2	8	(4)-4/8	94.7	230	74	4-7/16
SAF 528	6	20-1/8	5-7/8	2-3/8	17-1/8	16	3-3/8	11-3/4	7-5/8	(4)-1	110.2	250	78	4-15/16
SAF 530	6-5/16	21-1/4	6-1/4	2-1/2	18-1/4	17	3-3/4	12-1/2	8-3/8	(4)-1	137.9	270	83	5-3/16
SAF 532	6-11/16	22	6-1/4	2-5/8	19-1/4	17-3/8	3-3/4	13-5/16	8-3/4	(4)-1	157.6	290	90	5-7/16
SAF 534	7-1/16	24-3/4	6-3/4	2-3/4	21-5/8	19-3/8	4-1/4	14-3/16	9-5/8	(4)-1	184.6	310	96	5-15/16
SAF 536	7-1/2	26-3/4	7-1/8	3	23-5/8	20-7/8	4-5/8	14-7/16	10	(4)-1	217.1	320	96	6-7/16
SAF 538	7-7/8	28	7-1/2	3-1/8	24-3/8	21-5/8	4-1/2	15-11/16	10-3/4	(4)-1 1/4	285	340	102	6-15/16
SAF 540	8-1/4	29-1/2	8	3-3/8	25	22-1/2	5	16-1/2	11-1/4	(4)-1 1/4	330	360	108	7-3/16
SAF 544	9-1/2	32-3/4	8-3/4	3-3/4	27-7/8	24-3/4	5-1/4	18-5/8	12	(4)-1 1/2	391.3	400	111	7-15/16

* - weights are approximate

SERIES SAF 600 HOUSING DIMENSIONS

Housing No.	A	B	P	G	E		E1	H	L	Bolts (No. Req'd)	Wt.	D	F	d1
	In.	In.	In.	In.	Max In.	Min In.	In.	In.	In.	In.	lbs. *	mm	mm	In.
SAF 609	2-3/4	9-5/8	2-3/4	1	7-7/8	7-3/8	--	5-5/16	4-1/4	(2)-5/8	12.1	100	46	1-7/16
SAF 610	3	10-5/8	2-3/4	1-1/8	9	7-3/4	--	5-13/16	4-5/8	(2)-5/8	16.8	110	51	1-11/16
SAF 611	3-1/4	11	3-1/3	1-3/16	9-1/2	8-1/8	--	6-3/16	4-7/8	(2)-5/8	20.2	120	53	1-15/16
FSAF 611	3-1/4	11	3-1/3	1-3/16	9-1/2	8-1/8	2	6-3/16	4-7/8	(4)-1/2	20.2	120	53	1-15/16
SAF 613	3-1/2	13	3-1/2	1-1/4	11	9-5/8	--	6-15/16	5-3/8	(2)-3/4	28.7	140	58	2-3/16
FSAF 613	3-1/2	13	3-1/2	1-1/4	11	9-5/8	2-1/8	6-15/16	5-3/8	(4)-5/8	28.7	140	58	2-3/16
SAF 615	4	13-3/4	3-7/8	1-5/16	11-5/8	10-3/8	--	7-3/4	6-1/4	(2)-3/4	36.9	160	65	2-7/16
FSAF 615	4	13-3/4	3-7/8	1-5/16	11-5/8	10-3/8	2-1/8	7-3/4	6-1/4	(4)-5/8	36.9	160	65	2-7/16
SAF 616	4-1/4	14-1/4	3-7/8	1-5/16	12-5/8	10-5/8	--	8-1/4	6-1/2	(2)-3/4	47.6	170	68	2-11/16
FSAF 616	4-1/4	14-1/4	3-7/8	1-5/16	12-5/8	10-5/8	2-1/8	8-1/4	6-1/2	(4)-5/8	47.6	170	68	2-11/16
SAF 617	4-1/2	15-1/4	4-3/8	1-3/4	13-1/8	11-5/8	--	8-3/4	6-3/4	(2)-7/8	57.4	180	70	2-15/16
FSAF 617	4-1/2	15-1/4	4-3/8	1-3/4	13-1/8	11-5/8	2-3/8	8-3/4	6-3/4	(4)-3/4	57.4	180	70	2-15/16
SAF 618	4-3/4	15-1/2	4-3/8	2	13-1/2	12	2-1/4	9-3/16	6-7/8	(4)-3/4	62.8	190	74	3-3/16
SAF 620	5-1/4	16-1/2	4-3/4	2-1/8	14-1/2	13-1/4	2-3/4	10-1/4	7-3/8	(4)-3/4	77.1	215	83	3-7/16
SAF 622	6	18-3/8	5-1/8	2-3/8	16	14-5/8	3	11-1/2	8	(4)-7/8	107.4	240	90	3-15/16
SAF 624	6-5/16	21-1/4	6-1/4	2-1/2	18-1/4	17	3-3/4	12-1/2	8-3/8	(4)-1	145.9	260	96	4-3/16
SAF 626	6-11/16	22	6-1/4	2-5/8	19-1/4	17-3/8	3-3/4	13-5-16	8-3/4	(4)-1	164.7	280	103	4-7/16
SAF 628	7-1/16	24-3/4	6-3/4	2-3/4	21-5/8	19-3/8	4-1/4	14-3/16	9-5/8	(4)-1	192.9	300	112	4-15/16
SAF 630	7-1/2	26-3/4	7-1/8	3	23-5/8	20-7/8	4-5/8	14-7/8	9-3/4	(4)-1	259.5	320	116	5-3/16
SAF 632	7-7/8	28	7-1/2	3-1/8	24-3/8	21-5/8	4-1/2	15-11/16	10-3/4	(4)-1 1/4	268.9	340	124	5-7/16
SAF 634	8-1/4	29-1/2	8	3-3/8	25	22-1/2	5	16-1/2	11-1/4	(4)-1 1/4	306.4	360	130	5-15/16
SAF 636	8-7/8	31-1/4	8-1/4	3-1/2	26-5/8	24	5-1/4	17-3/4	11-3/8	(4)-1 1/4	374.8	380	136	6-7/16
SAF 638	9-1/2	32-3/4	8-3/4	3-3/4	27-7/8	24-3/4	5-1/4	18-5/8	12	(4)-1 1/2	441	400	142	6-15/16
SAF 640	9-7/8	34-1/4	9	4	29-1/2	26-1/4	5-1/2	20	12-1/16	(4)-1 1/2	489.9	420	148	7-3/16

* - weights are approximate