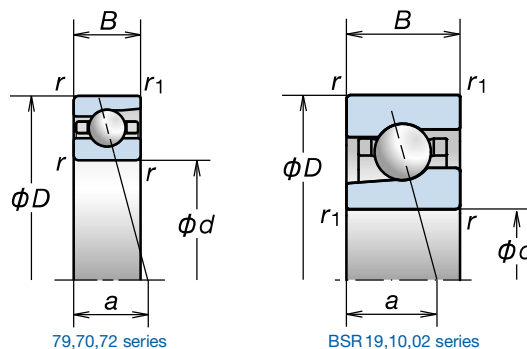


# 1. Angular Contact Ball Bearings

Bore Diameter **5 - 10mm**



Bearing Numbers (1)	Boundary Dimensions (mm)					Basic Load Ratings (2) (kN)		Permissible Axial Load (3) (kN)	Contact angle (Degree)	Factor $f_0$	Effective Load Center (mm) $a$	Limiting Speeds (4) (min <sup>-1</sup> )	
	$d$	$D$	$B$	$r$ (min.)	$r_1$ (min.)	$C_r$ (Dynamic)	$C_{or}$ (Static)					Grease	Oil
725C	5	16	5	0.3	0.15	1.70	0.660	0.545	15	12.6	3.9	110 000	167 000
725A	5	16	5	0.3	0.15	1.61	0.620	0.665	30	—	5.5	72 000	96 000
706C	6	17	6	0.3	0.15	2.15	0.845	0.765	15	12.4	4.5	100 000	153 000
706A	6	17	6	0.3	0.15	2.03	0.795	0.725	30	—	6.3	66 000	87 000
*6BSR10S	6	17	6	0.3	0.15	1.35	0.445	0.525	15	6.6	4.5	140 000	192 000
*6BSR10H	6	17	6	0.3	0.15	(1.35)	(0.445)	0.345	15	6.6	4.5	166 000	244 000
*6BSR10X	6	17	6	0.3	0.15	(1.35)	(0.445)	0.345	15	6.6	4.5	192 000	261 000
726C	6	19	6	0.3	0.15	2.39	1.00	0.835	15	12.8	4.7	92 000	140 000
726A	6	19	6	0.3	0.15	2.24	0.940	0.395	30	—	6.6	60 000	80 000
707C	7	19	6	0.3	0.15	2.39	1.00	0.835	15	12.8	4.7	89 000	135 000
707A	7	19	6	0.3	0.15	2.24	0.940	0.375	30	—	6.6	58 000	77 000
*7BSR10S	7	19	6	0.3	0.15	1.57	0.570	0.675	15	7.1	4.7	124 000	170 000
*7BSR10H	7	19	6	0.3	0.15	(1.57)	(0.570)	0.440	15	7.1	4.7	147 000	216 000
*7BSR10X	7	19	6	0.3	0.15	(1.57)	(0.570)	0.440	15	7.1	4.7	170 000	231 000
708C	8	22	7	0.3	0.15	3.55	1.54	1.30	15	12.7	5.5	77 000	117 000
708A	8	22	7	0.3	0.15	3.35	1.45	1.02	30	—	7.8	50 000	67 000
*8BSR10S	8	22	7	0.3	0.15	2.31	0.835	1.01	15	7.0	5.5	107 000	147 000
*8BSR10H	8	22	7	0.3	0.15	(2.31)	(0.835)	0.660	15	7.0	5.5	127 000	187 000
*8BSR10X	8	22	7	0.3	0.15	(2.31)	(0.835)	0.660	15	7.0	5.5	147 000	200 000
728C	8	24	8	0.3	0.15	3.60	1.58	1.33	15	13.1	6.1	72 000	110 000
728A	8	24	8	0.3	0.15	3.35	1.48	0.610	30	—	8.6	47 000	63 000
7900C	10	22	6	0.3	0.15	3.15	1.52	1.23	15	14.1	5.1	71 900	109 000
7900CSN24	10	22	6	0.3	0.15	(3.15)	(1.52)	1.42	15	14.1	5.1	93 800	143 000
7900A5	10	22	6	0.3	0.15	3.00	1.45	1.44	25	—	6.7	62 500	93 800
7900A5SN24	10	22	6	0.3	0.15	(3.00)	(1.45)	1.71	25	—	6.7	81 300	122 000
*10BSR19S	10	22	6	0.3	0.15	1.78	0.715	0.855	15	7.4	5.1	100 000	138 000
*10BSR19H	10	22	6	0.3	0.15	(1.78)	(0.715)	0.560	15	7.4	5.1	119 000	175 000
*10BSR19X	10	22	6	0.3	0.15	(1.78)	(0.715)	0.560	15	7.4	5.1	138 000	188 000
7000C	10	26	8	0.3	0.15	5.60	2.49	2.16	15	12.6	6.4	63 900	97 300
7000CSN24	10	26	8	0.3	0.15	(5.60)	(2.49)	2.36	15	12.6	6.4	83 400	127 000
7000A5	10	26	8	0.3	0.15	5.40	2.41	2.48	25	—	8.2	55 600	83 400
7000A5SN24	10	26	8	0.3	0.15	(5.40)	(2.41)	2.94	25	—	8.2	72 300	108 000
7000A	10	26	8	0.3	0.15	5.25	2.34	1.91	30	—	9.2	41 700	55 600
*10BSR10S	10	26	8	0.3	0.15	3.00	1.18	1.44	15	7.1	6.4	88 900	123 000
*10BSR10H	10	26	8	0.3	0.15	(3.00)	(1.18)	0.94	15	7.1	6.4	106 000	156 000
*10BSR10X	10	26	8	0.3	0.15	(3.00)	(1.18)	0.94	15	7.1	6.4	123 000	167 000
7200C	10	30	9	0.6	0.3	5.65	2.61	2.16	15	13.2	7.2	57 500	87 500
7200CSN24	10	30	9	0.6	0.3	(5.65)	(2.61)	2.48	15	13.2	7.2	75 000	114 000
7200A5	10	30	9	0.6	0.3	5.45	2.51	2.49	25	—	9.2	50 000	75 000
7200A5SN24	10	30	9	0.6	0.3	(5.45)	(2.51)	2.96	25	—	9.2	65 000	97 500
7200A	10	30	9	0.6	0.3	5.30	2.44	1.92	30	—	10.3	37 500	50 000
*10BSR02S	10	30	9	0.6	0.3	3.85	1.48	1.81	15	6.7	7.2	80 000	110 000
*10BSR02H	10	30	9	0.6	0.3	(3.85)	(1.48)	1.18	15	6.7	7.2	95 000	140 000
*10BSR02X	10	30	9	0.6	0.3	(3.85)	(1.48)	1.18	15	6.7	7.2	110 000	150 000

(1) The bearings denoted by an asterisk (\*) indicates the bearings which sealed bearings are available.

(2) Basic load rating values are reference values for ceramic ball bearings.

(3) For permissible axial load, please refer to Page 199.

(4) For application of limiting speeds, please refer to Page 216.