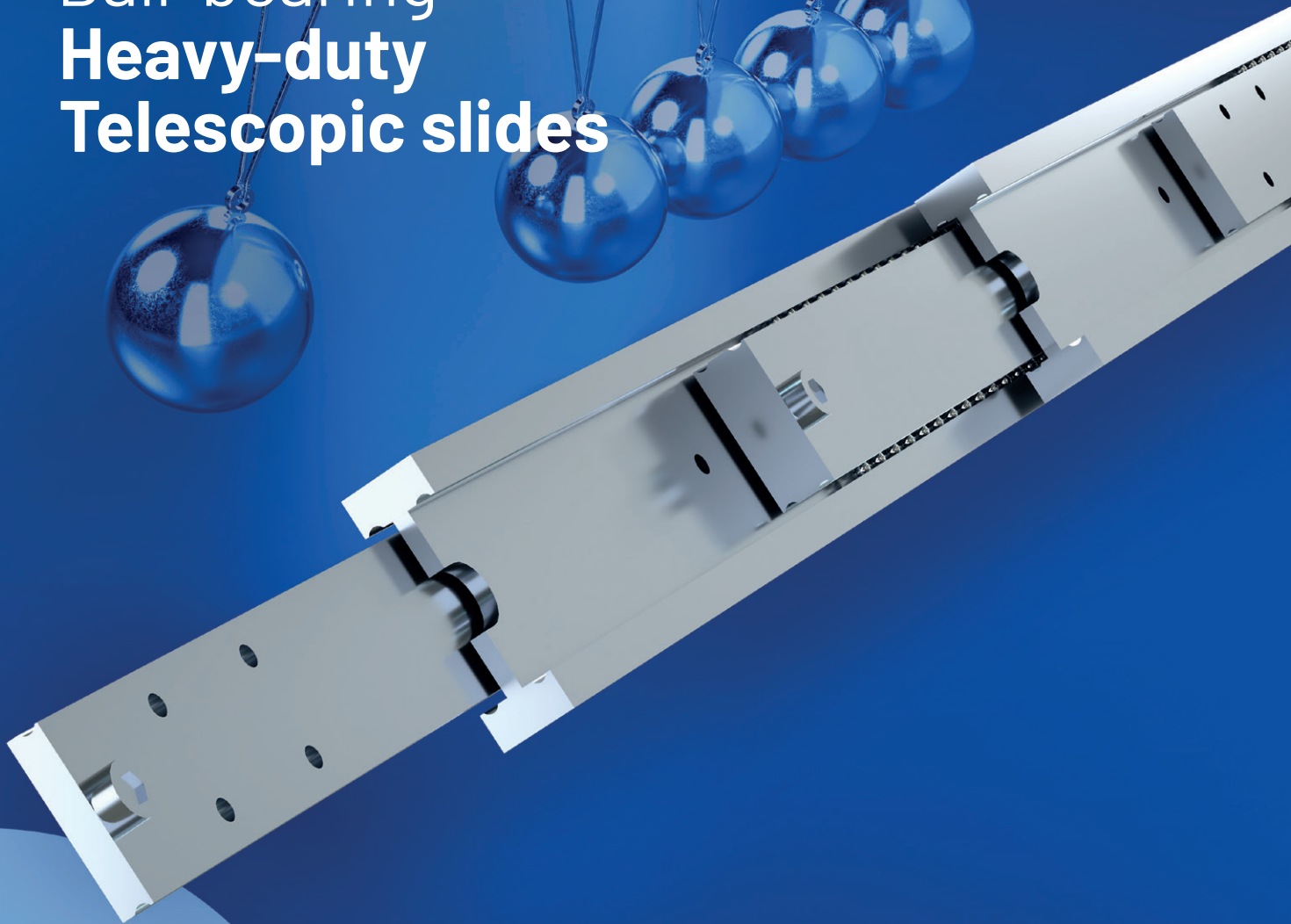


Product overview

CATALOG 2025

Ball-bearing
Heavy-duty
Telescopic slides



Length up to 3,000 mm

Extension length up to 200%

Load capacity up to 2,500 kg

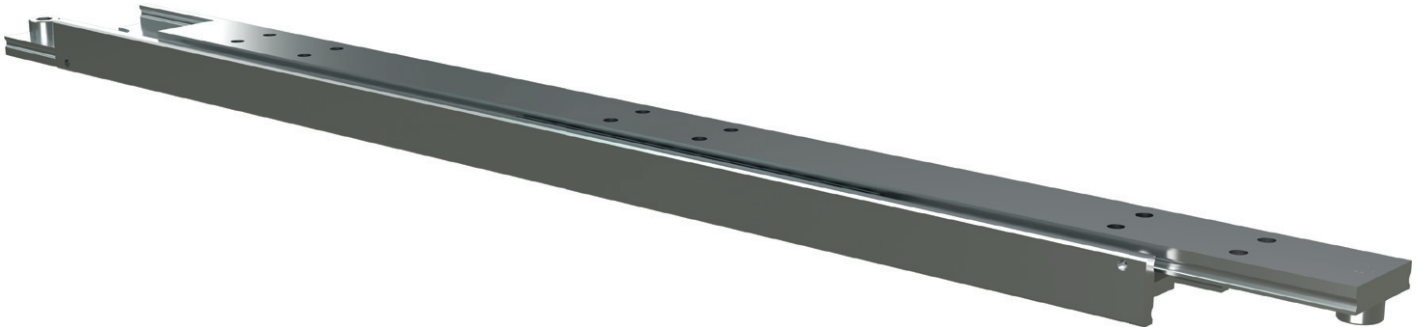
Steel, stainless steel, aluminium

Available from 1 piece

SCHOCK

TELESCOPIC SLIDES

Our product portfolio of ball-bearing telescopic slides is complemented by the **ultra heavy-duty slide** program. These exceptionally robust slides are milled from solid material, which has a highly positive effect on load capacity and extension length.



Technical key data (summary):

- Load capacity: up to 2,500 kg per pair of slides
- Length: up to 3,000 mm
- Deflection: minimal, ensuring very high bending stiffness
- Applications: heavy-duty sectors such as industrial equipment, machine tools, heavy-duty drawers, special-purpose vehicle construction, and wind turbines

The telescopic slides are available in three material variants:

1. Zinc-plated carbon steel:

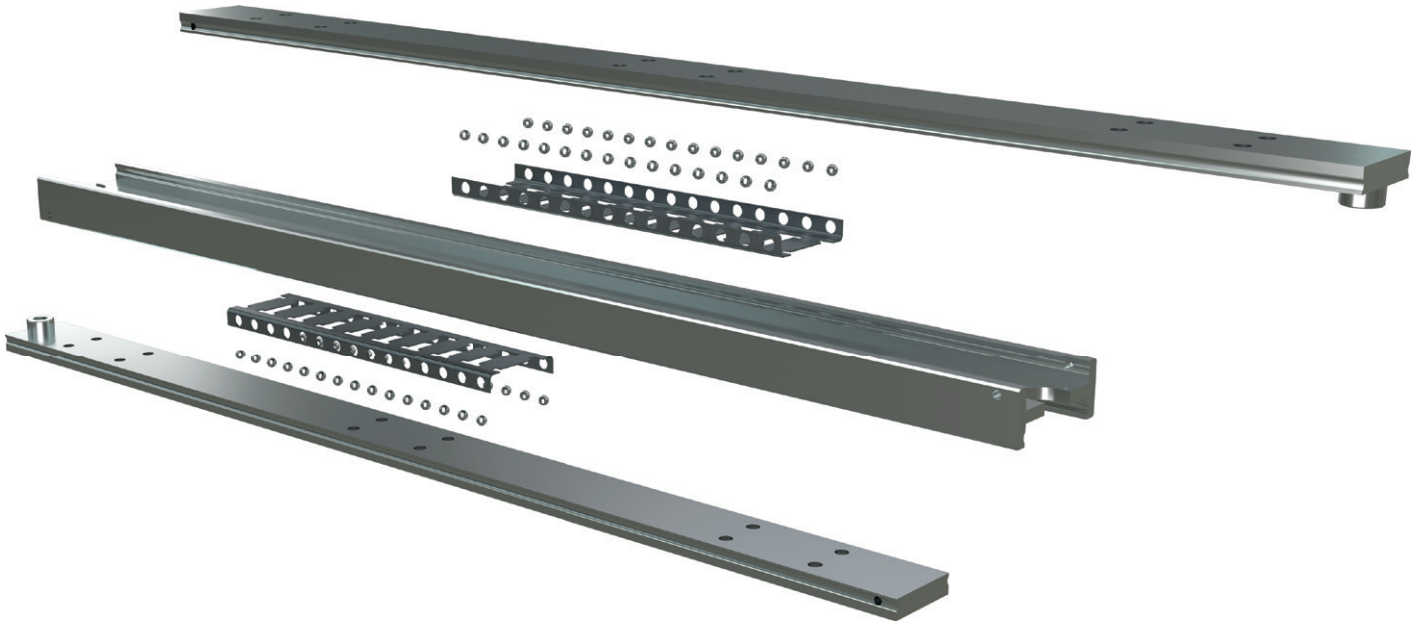
These slides are made from high-quality carbon steel and subsequently zinc-plated to ensure enhanced corrosion resistance. They are suitable for a wide range of industrial applications with moderate corrosion protection requirements.

Stainless steel V4A (1.4404):

This variant offers maximum corrosion resistance and is commonly used in particularly demanding environments – such as inland and offshore marine applications or anywhere moisture and aggressive substances are present.

Aluminium (EN-AW 6082 T6):

Aluminium telescopic slides are used wherever weight reduction is a priority – for example in aerospace, caravanning, or transportation. They combine low weight with high stability and good corrosion resistance.



Telescopic slides made from solid material – robust, precise, customizable

Our high-quality solid material telescopic slides offer maximum stability and durability – perfect for demanding industrial and commercial applications. With us, you'll find the right extension variant:

Partial extension (50 % Extension length)

Consisting of 2 profiles – ideal for applications with limited installation space.

Full extension (100 % Extension length)

With 3 profiles – allows full access to the drawer.

Over extension (up to zu 200 % Extension length)

3 to 5 profiles – maximum mobility for special requirements. Also available as a super-extension with double the extension length.

Delivery times:

As these telescopic slides are custom-manufactured upon receipt of your order, they have a delivery time of **15 to 20 working days**.

Custom-made to measure:

You have specific requirements? No problem – we also implement custom-tailored **special solutions** according to your exact needs.

**We look forward to supporting you with your project.
Feel free to contact us.**

Table of contents

Load capacity	Cross section (w/h)	Series	Type of extension	Material	Length	Page
OWS and OWST partial extensions made of zinc-plated steel, single-sided or double-sided extendable						
Up to 270 kg/Pair	11,0 x 40,0 mm	OWS-45	Partial extension 50%, single-sided	C45E+C	150 - 1200 mm	8
Up to 270 kg/Pair	11,0 x 40,0 mm	OWST-45	Partial extension 50%, double-sided	C45E+C	150 - 1200 mm	8
Up to 280 kg/Pair	11,0 x 30,0 mm	OWS-30	Partial extension 50%, single-sided	C45E+C	150 - 1000 mm	9
Up to 280 kg/Pair	11,0 x 30,0 mm	OWST-30	Partial extension 50%, double-sided	C45E+C	150 - 1000 mm	9
Up to 280 kg/Pair	13,0 x 40,0 mm	OWS-48	Partial extension 50%, single-sided	C45E+C	150 - 1200 mm	10
Up to 280 kg/Pair	13,0 x 40,0 mm	OWST-48	Partial extension 50%, double-sided	C45E+C	150 - 1200 mm	10
Up to 360 kg/Pair	16,0 x 40,0 mm	OWS-40	Partial extension 50%, single-sided	C45E+C	200 - 1600 mm	11
Up to 360 kg/Pair	16,0 x 40,0 mm	OWST-40	Partial extension 50%, double-sided	C45E+C	200 - 1600 mm	11
Up to 485 kg/Pair	17,0 x 50,0 mm	OWS-50	Partial extension 50%, single-sided	C45E+C	200 - 2000 mm	12
Up to 485 kg/Pair	17,0 x 50,0 mm	OWST-50	Partial extension 50%, double-sided	C45E+C	200 - 2000 mm	12
Up to 750 kg/Pair	17,0 x 60,0 mm	OWS-60	Partial extension 50%, single-sided	C45E+C	300 - 2000 mm	13
Up to 750 kg/Pair	17,0 x 60,0 mm	OWST-60	Partial extension 50%, double-sided	C45E+C	300 - 2000 mm	13
Up to 1060 kg/Pair	21,0 x 70,0 mm	OWS-70	Partial extension 50%, single-sided	C45E+C	300 - 2000 mm	14
Up to 1060 kg/Pair	21,0 x 70,0 mm	OWST-70	Partial extension 50%, double-sided	C45E+C	300 - 2000 mm	14
Up to 1210 kg/Pair	20,0 x 80,0 mm	OWS-80	Partial extension 50%, single-sided	C45E+C	200 - 2000 mm	15
Up to 1210 kg/Pair	20,0 x 80,0 mm	OWST-80	Partial extension 50%, double-sided	C45E+C	200 - 2000 mm	15
Up to 1600 kg/Pair	23,0 x 90,0 mm	OWS-90	Partial extension 50%, single-sided	C45E+C	300 - 2000 mm	16
Up to 1600 kg/Pair	23,0 x 90,0 mm	OWST-90	Partial extension 50%, double-sided	C45E+C	300 - 2000 mm	16
Up to 1750 kg/Pair	24,0 x 100,0 mm	OWS-100	Partial extension 50%, single-sided	C45E+C	300 - 2000 mm	17
Up to 1750 kg/Pair	24,0 x 100,0 mm	OWST-100	Partial extension 50%, double-sided	C45E+C	300 - 2000 mm	17
TSR and TSRT full extensions made of zinc-plated steel, single-sided or double-sided extendable						
Up to 314 kg/Pair	26,0 x 60,0 mm	TSR-60	Full extension 100%, single-sided	C45E+C	300 - 1600 mm	18
Up to 314 kg/Pair	26,0 x 60,0 mm	TSRT-60	Full extension 100%, double-sided	C45E+C	300 - 1600 mm	18
Up to 435 kg/Pair	24,0 x 70,0 mm	TSR-70	Full extension 100%, single-sided	C45E+C	300 - 2000 mm	19
Up to 435 kg/Pair	24,0 x 70,0 mm	TSRT-70	Full extension 100%, double-sided	C45E+C	300 - 2000 mm	19
Up to 435 kg/Pair	25,0 x 80,0 mm	TSR-80	Full extension 100%, single-sided	C45E+C	300 - 2000 mm	20
Up to 435 kg/Pair	25,0 x 80,0 mm	TSRT-80	Full extension 100%, double-sided	C45E+C	300 - 2000 mm	20
Up to 690 kg/Pair	28,0 x 90,0 mm	TSR-90	Full extension 100%, single-sided	C45E+C	300 - 2000 mm	21
Up to 690 kg/Pair	28,0 x 90,0 mm	TSRT-90	Full extension 100%, double-sided	C45E+C	300 - 2000 mm	21
Up to 1000 kg/Pair	32,0 x 100,0 mm	TSR-100	Full extension 100%, double-sided	C45E+C	300 - 2000 mm	22
Up to 1000 kg/Pair	32,0 x 100,0 mm	TSRT-100	Full extension 100%, double-sided	C45E+C	300 - 2000 mm	22
DTS and DTSB full extensions made of zinc-plated steel, single-sided or double-sided extendable						
Up to 120 kg/Pair	18,0 x 35,0 mm	DTS-35	Full extension 100%, single-sided	C45E+C	150 - 1000 mm	24
Up to 160 kg/Pair	13,0 x 40,0 mm	DTS-45	Full extension 100%, single-sided	C45E+C	150 - 1000 mm	25
Up to 166 kg/Pair	17,0 x 40,0 mm	DTS-48	Full extension 100%, single-sided	C45E+C	150 - 1000 mm	26
Up to 350 kg/Pair	24,0 x 40,0 mm	DTS-40	Full extension 100%, single-sided	C45E+C	200 - 2000 mm	27
Up to 350 kg/Pair	24,0 x 40,0 mm	DTSB-40	Full extension 100%, double-sided	C45E+C	200 - 2000 mm	27
Up to 420 kg/Pair	30,0 x 50,0 mm	DTS-50	Full extension 100%, single-sided	C45E+C	200 - 1600 mm	28
Up to 420 kg/Pair	30,0 x 50,0 mm	DTSB-50	Full extension 100%, double-sided	C45E+C	200 - 1600 mm	28

Table of contents

Load capacity	Cross section (w/h)	Series	Type of extension	Material	Length	Page
DTS and DTSB full extensions made of zinc-plated steel, available with single-sided or double-sided extension						
Up to 600 kg/Pair	30,0 x 60,0 mm	DTS-60	Full extension 100%, single-sided	C45E+C	200 - 2000 mm	29
Up to 600 kg/Pair	30,0 x 60,0 mm	DTSB-60	Full extension 100%, double-sided	C45E+C	200 - 2000 mm	29
Up to 700 kg/Pair	32,0 x 70,0 mm	DTS-70	Full extension 100%, single-sided	C45E+C	200 - 2000 mm	30
Up to 700 kg/Pair	32,0 x 70,0 mm	DTSB-70	Full extension 100%, double-sided	C45E+C	200 - 2000 mm	30
Up to 880 kg/Pair	30,0 x 80,0 mm	DTS-80	Full extension 100%, single-sided	C45E+C	200 - 2000 mm	31
Up to 880 kg/Pair	30,0 x 80,0 mm	DTSB-80	Full extension 100%, double-sided	C45E+C	200 - 2000 mm	31
Up to 1050 kg/Pair	36,0 x 90,0 mm	DTS-90	Full extension 100%, single-sided	C45E+C	200 - 2400 mm	32
Up to 1050 kg/Pair	36,0 x 90,0 mm	DTSB-90	Full extension 100%, double-sided	C45E+C	200 - 2400 mm	32
Up to 1800 kg/Pair	44,0 x 110,0 mm	DTS-110	Full extension 100%, single-sided	C45E+C	300 - 1600 mm	33
Up to 1800 kg/Pair	44,0 x 110,0 mm	DTSB-110	Full extension 100%, double-sided	C45E+C	300 - 1600 mm	33
Up to 1890 kg/Pair	44,0 x 120,0 mm	DTS-120	Full extension 100%, single-sided	C45E+C	300 - 3000 mm	34
Up to 1890 kg/Pair	44,0 x 120,0 mm	DTSB-120	Full extension 100%, double-sided	C45E+C	300 - 3000 mm	34
Up to 2410 kg/Pair	55,0 x 150,0 mm	DTS-150	Full extension 100%, single-sided	C45E+C	300 - 3000 mm	35
STR full extensions made of zinc-plated steel, single-sided extendable						
Up to 260 kg/Pair	14,0 x 60,0 mm	STR-60	Full extension 100%, single-sided	C45E+C	200 - 1200 mm	36
Up to 300 kg/Pair	17,0 x 80,0 mm	STR-80	Full extension 100%, single-sided	C45E+C	200 - 1600 mm	37
Up to 435 kg/Pair	22,0 x 100,0 mm	STR-100	Full extension 100%, single-sided	C45E+C	200 - 2000 mm	38
DOWS full extension made of zinc-plated steel, single-sided extendable						
Up to 1380 kg/Pair	48,0 x 100,0 mm	DOWS-100	Full extension 100%, single-sided	C45E+C	200 - 2000 mm	39
QSRT over extensions made of zinc-plated steel, single-sided extendable, with an extension travel of 150% of the slide length						
Up to 230 kg/Pair	33,0 x 60,0 mm	QSRT-60	Over extension 150%, single-sided	C45E+C	200 - 1600 mm	40
Up to 310 kg/Pair	35,0 x 70,0 mm	QSRT-70	Over extension 150%, single-sided	C45E+C	300 - 1600 mm	41
Up to 470 kg/Pair	41,0 x 90,0 mm	QSRT-90	Over extension 150%, single-sided	C45E+C	300 - 2000 mm	42
Up to 680 kg/Pair	52,0 x 120,0 mm	QSRT-120	Over extension 150%, single-sided	C45E+C	300 - 2000 mm	43
DDTS over extensions made of zinc-plated steel, single-sided extendable, with an extension travel of 200% of the slide length						
Up to 80 kg/Pair	26,0 x 40,0	DDTS-45	Over extension 200%, single-sided	C45E+C	150 - 1000 mm	44
Up to 90 kg/Pair	34,0 x 40,0	DDTS-48	Over extension 200%, single-sided	C45E+C	150 - 1000 mm	45
Up to 100 kg/Pair	36,0 x 35,0	DDTS-35	Over extension 200%, single-sided	C45E+C	150 - 1000 mm	46
Up to 160 kg/Pair	48,0 x 40,0	DDTS-40	Over extension 200%, single-sided	C45E+C	200 - 1200 mm	47
Up to 240 kg/Pair	60,0 x 50,0	DDTS-50	Over extension 200%, single-sided	C45E+C	200 - 1600 mm	48
Up to 320 kg/Pair	60,0 x 60,0	DDTS-60	Over extension 200%, single-sided	C45E+C	300 - 2000 mm	49
Up to 410 kg/Pair	64,0 x 70,0	DDTS-70	Over extension 200%, single-sided	C45E+C	300 - 2000 mm	50
Up to 510 kg/Pair	60,0 x 80,0	DDTS-80	Over extension 200%, single-sided	C45E+C	300 - 2000 mm	51
Up to 630 kg/Pair	72,0 x 90,0	DDTS-90	Over extension 200%, single-sided	C45E+C	300 - 2000 mm	52
Up to 840 kg/Pair	88,0 x 110,0	DDTS-110	Over extension 200%, single-sided	C45E+C	300 - 2200 mm	53

Table of contents

Load capacity	Cross section (w/h)	Series	Type of extension	Material	Length	Page
DDTS over extensions made of zinc-plated steel, single-sided extendable, with an extension length of 200% of the slide length						
Up to 1540 kg/Pair	110,0 x 150,0 mm	DDTS-150	Over extension 200%, single-sided	C45E+C	300 - 2500 mm	54
SOWS and SOWST partial extensions made of stainless steel 316L (V4A, 1.4404), single-sided or double-sided extendable						
Up to 280 kg/Pair	16,0 x 40,0 mm	SOWS-40	Partial extension, single-sided	V4A (1.4404)	200 - 1600 mm	56
Up to 280 kg/Pair	16,0 x 40,0 mm	SOWST-40	Partial extension, double-sided	V4A (1.4404)	200 - 1600 mm	56
Up to 400 kg/Pair	17,0 x 50,0 mm	SOWS-50	Partial extension, single-sided	V4A (1.4404)	200 - 2000 mm	57
Up to 400 kg/Pair	17,0 x 50,0 mm	SOWST-50	Partial extension, double-sided	V4A (1.4404)	200 - 2000 mm	57
SDTS and SDTSB full extensions made of stainless steel 316L (V4A, 1.4404), single-sided or double-sided extendable						
Up to 154 kg/Pair	24,0 x 40,0 mm	SDTS-40	Full extension, single-sided	V4A (1.4404)	200 - 1600 mm	58
Up to 154 kg/Pair	24,0 x 40,0 mm	SDTSB-40	Full extension, double-sided	V4A (1.4404)	200 - 1600 mm	58
Up to 280 kg/Pair	25,0 x 50,0 mm	SDTS-50	Full extension, single-sided	V4A (1.4404)	200 - 1600 mm	59
Up to 280 kg/Pair	25,0 x 50,0 mm	SDTSB-50	Full extension, double-sided	V4A (1.4404)	200 - 1600 mm	59
Up to 440 kg/Pair	30,0 x 60,0 mm	SDTS-60	Full extension, single-sided	V4A (1.4404)	200 - 1600mm	60
Up to 440 kg/Pair	30,0 x 60,0 mm	SDTSB-60	Full extension, double-sided	V4A (1.4404)	200 - 1600mm	60
Up to 480 kg/Pair	32,0 x 70,0 mm	SDTS-70	Full extension, single-sided	V4A (1.4404)	200 - 2000 mm	61
Up to 480 kg/Pair	32,0 x 70,0 mm	SDTSB-70	Full extension, double-sided	V4A (1.4404)	200 - 2000 mm	61
Up to 600 kg/Pair	36,0 x 90,0 mm	SDTS-90	Full extension, single-sided	V4A (1.4404)	200 - 2500 mm	62
Up to 600 kg/Pair	36,0 x 90,0 mm	SDTSB-90	Full extension, double-sided	V4A (1.4404)	200 - 2500 mm	62
SQSRT over extensions made of stainless steel 316L (V4A, 1.4404), single-sided extendable, with an extension travel of 150% of the slide length						
Up to 140 kg/Pair	33,0 x 60,0 mm	SQSRT-60	Over extension 150%, single-sided	V4A (1.4404)	200 - 1600 mm	64
Up to 220 kg/Pair	35,0 x 70,0 mm	SQSRT-70	Over extension 150%, single-sided	V4A (1.4404)	300 - 1600 mm	65
SDDTS over extensions made of stainless steel 316L (V4A, 1.4404), single-sided extendable, with an extension travel of 200% of the slide length						
Up to 50 kg/Pair	49,0 x 40,0 mm	SDDTS-40	Over extension 200%, single-sided	V4A (1.4404)	200 - 1200 mm	66
Up to 110 kg/Pair	60,0 x 50,0 mm	SDDTS-50	Over extension 200%, single-sided	V4A (1.4404)	200 - 1200 mm	67
Up to 120 kg/Pair	60,0 x 60,0 mm	SDDTS-60	Over extension 200%, single-sided	V4A (1.4404)	300 - 1400 mm	68
Up to 130 kg/Pair	64,0 x 70,0 mm	SDDTS-70	Over extension 200%, single-sided	V4A (1.4404)	300 - 1600 mm	69
Up to 170 kg/Pair	72,0 x 90,0 mm	SDDTS-90	Over extension 200%, single-sided	V4A (1.4404)	300 - 1600 mm	70
ADTS and ADTSB full extensions made of aluminium (EN-AW 6082 T6), single-sided or double-sided extendable						
Up to 125 kg/Pair	24,0 x 40,0 mm	ADTS-40	Full extension, single-sided	EN-AW6082 T6	200 - 1600 mm	72
Up to 125 kg/Pair	24,0 x 40,0 mm	ADTSB-40	Full extension, double-sided	EN-AW6082 T6	200 - 1500 mm	72
Up to 180 kg/Pair	30,0 x 50,0 mm	ADTS-50	Full extension, single-sided	EN-AW6082 T6	200 - 1600 mm	73
Up to 180 kg/Pair	30,0 x 50,0 mm	ADTSB-50	Full extension, double-sided	EN-AW6082 T6	200 - 1600 mm	73
Up to 330 kg/Pair	32,0 x 70,0 mm	ADTS-70	Full extension, single-sided	EN-AW6082 T6	200 - 2000 mm	74
Up to 330 kg/Pair	32,0 x 70,0 mm	ADTSB-70	Full extension, double-sided	EN-AW6082 T6	200 - 2000 mm	74
ADDTS over extension made of aluminium (EN-AW 6082 T6), single-sided extendable, with an extension travel of 200% of the slide length						
Up to 50 kg/Pair	48,0 x 40,0 mm	ADDTS-40	Over extension (200%) single-sided	EN-AW6082 T6	200 - 1200 mm	76
Up to 80 kg/Pair	60,0 x 50,0 mm	ADDTS-50	Over extension (200%) single-sided	EN-AW6082 T6	200 - 1200 mm	77
Up to 90 kg/Pair	64,0 x 70,0 mm	ADDTS-70	Over extension (200%) single-sided	EN-AW6082 T6	200 - 1200 mm	78

Load capacity up to 270 kg/Pair

Partial extension, Cross section 11,0 x 40,0 mm

Material

Steel (C45E+C)
zinc-plated
milled raceway


OWS-...

Single-sided extendable

OWST-...

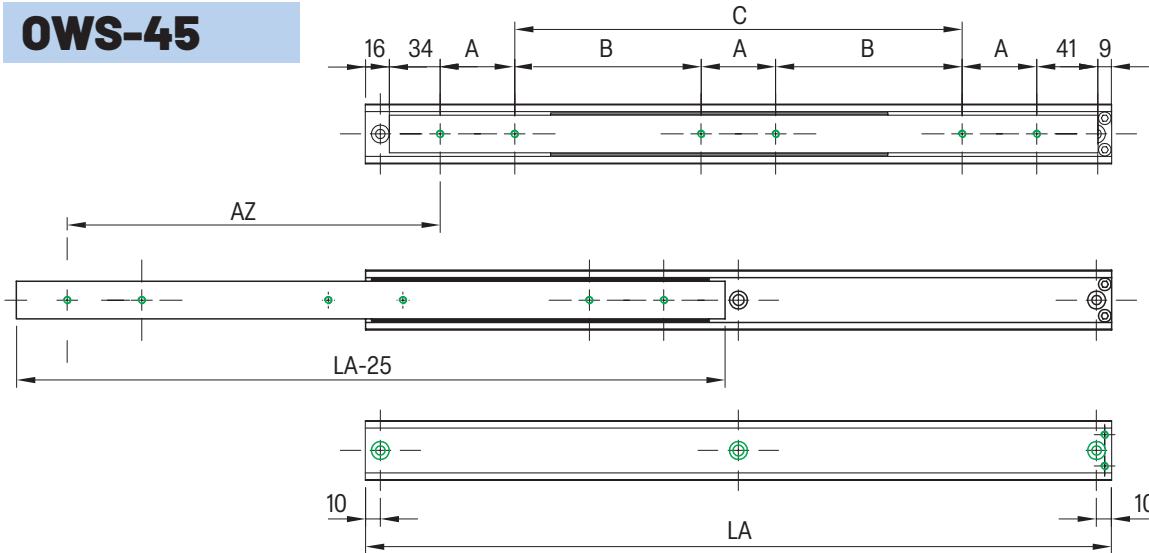
Double-sided extendable

Note:

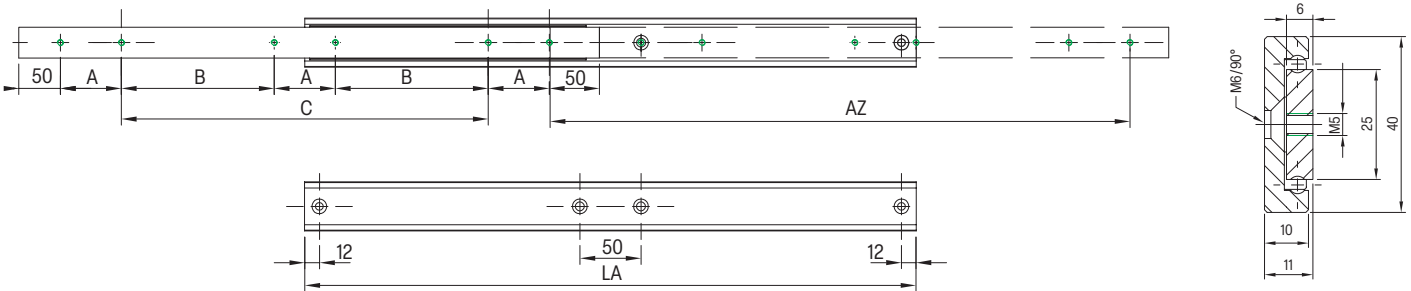
LA = Length
AZ = Travel
Load = Load capacity
10.000 Cycles
 Hole pattern

Other lengths and versions available on request

OWS-45



OWST-45



Article no. OWS-45	Article no. OWST-45	Load in kg 10.000	LA mm	AZ mm	A mm	B mm	C mm	Weight - kg/pcs. OWS-45	Weight - kg/pcs. OWST-45
07000935001	07000937001	80	150	75	50	-	-	0,43	0,42
07000935002	07000937002	90	200	100	50	-	-	0,57	0,56
07000935003	07000937003	110	250	125	50	-	50	0,72	0,70
07000935004	07000937004	130	300	150	50	-	100	0,86	0,84
07000935005	07000937005	150	350	175	50	-	150	1,00	0,98
07000935006	07000937006	180	400	200	50	-	200	1,14	1,12
07000935007	07000937007	240	450	225	50	-	250	1,29	1,25
07000935008	07000937008	260	500	250	50	-	300	1,43	1,39
07000935009	07000937009	270	550	275	50	150	-	1,57	1,53
07000935010	07000937010	260	600	300	50	175	-	1,72	1,67
07000935011	07000937011	250	650	325	50	200	-	1,86	1,81
07000935012	07000937012	240	700	350	50	225	-	2,00	1,95
07000935013	07000937013	230	750	375	50	250	-	2,14	2,09
07000935014	07000937014	220	800	400	50	275	-	2,29	2,23
07000935015	07000937015	210	850	425	50	300	-	2,43	2,37
07000935016	07000937016	200	900	450	50	325	-	2,57	2,51
07000935017	07000937017	190	950	475	50	350	-	2,72	2,65
07000935018	07000937018	180	1000	500	50	375	-	2,86	2,79
...
07000935022	07000937022	100	1200	600	50	475	-	3,43	3,34

Series OWS-30 | OWST-30

Load capacity up to 280 kg/Pair

Partial extension, Cross section 11,0 x 30,0 mm

Material

Steel (C45E+C)
zinc-plated
milled raceway

OWS-...

Single-sided extendable

OWST-...

Double-sided extendable

Note:

LA = Length

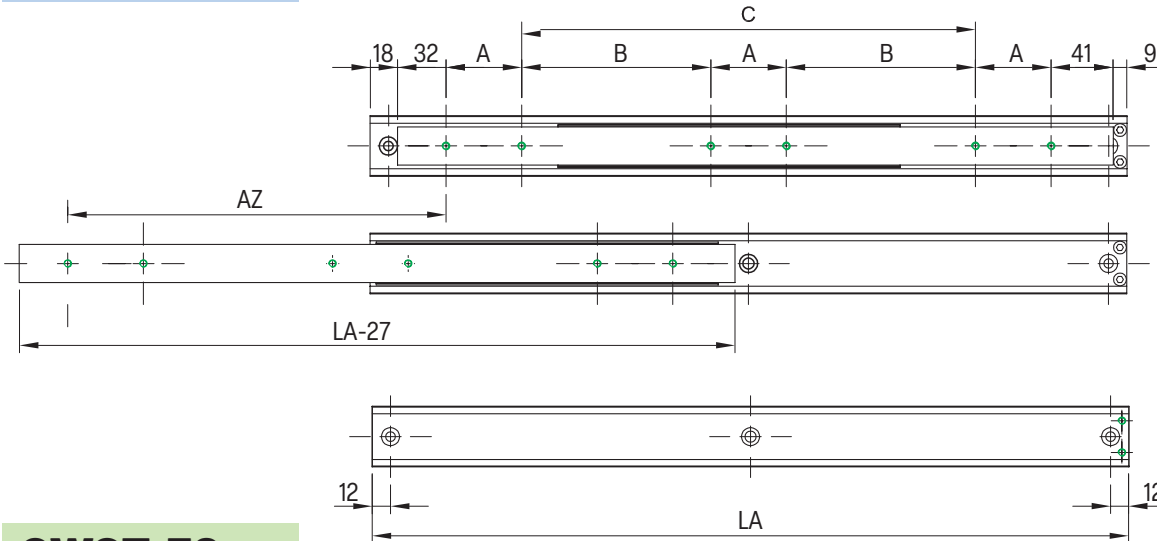
AZ = Travel

Load = Load capacity
10.000 Cycles

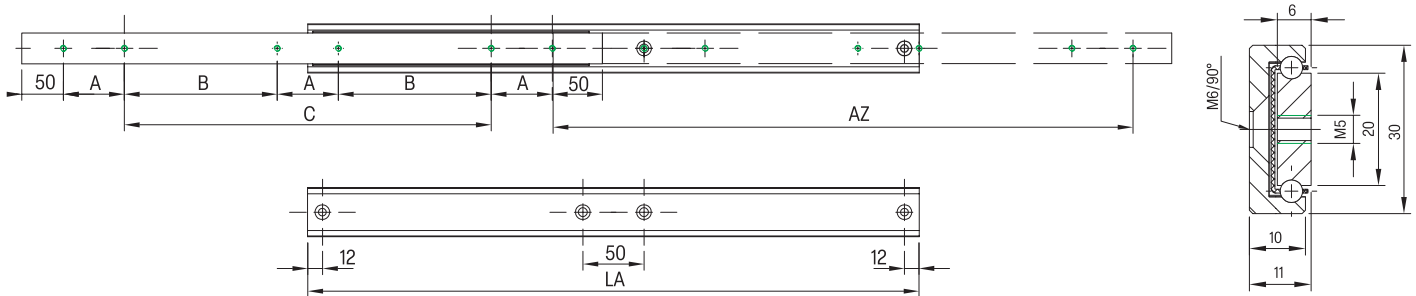
 Hole pattern

Other lengths and versions available on request

OWS-30



OWST-30



Article no. OWS-30	Article no. OWST-30	Load in kg 10.000	LA mm	AZ mm	A mm	B mm	C mm	Weight - kg/pcs. OWS-30	Weight - kg/pcs. OWST-30
07000328001	07000336001	80	150	75	50	-	-	0,32	0,31
07000328002	07000336002	90	200	100	50	-	-	0,43	0,42
07000328003	07000336003	110	250	125	50	-	50	0,53	0,52
07000328004	07000336004	130	300	150	50	-	100	0,64	0,62
07000328005	07000336005	150	350	175	50	-	150	0,75	0,73
07000328006	07000336006	180	400	200	50	-	200	0,85	0,83
07000328007	07000336007	240	450	225	50	-	250	0,96	0,94
07000328008	07000336008	260	500	250	50	-	300	1,06	1,03
07000328009	07000336009	270	550	275	50	150	-	1,17	1,14
07000328010	07000336010	280	600	300	50	175	-	1,28	1,25
07000328011	07000336011	260	650	325	50	200	-	1,38	1,35
07000328012	07000336012	240	700	350	50	225	-	1,49	1,45
07000328013	07000336013	220	750	375	50	250	-	1,60	1,56
07000328014	07000336014	200	800	400	50	275	-	1,70	1,66
07000328015	07000336015	180	850	425	50	300	-	1,81	1,76
07000328016	07000336016	160	900	450	50	325	-	1,92	1,87
07000328017	07000336017	140	950	475	50	350	-	2,02	1,97
07000328018	07000336018	120	1000	500	50	375	-	2,13	2,08

Load capacity up to 280 kg/Pair

Partial extension, Cross section 13,0 x 40,0 mm

Material

Steel (C45E+C)
zinc-plated
milled raceway


OWS-...

Single-sided extendable

OWST-...

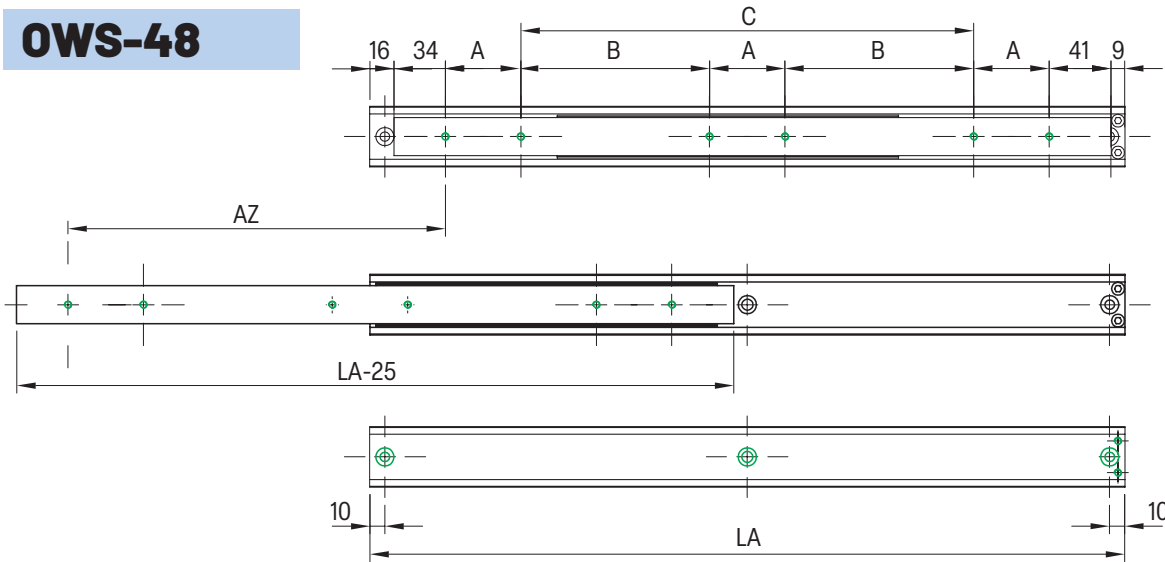
Double-sided extendable

Note:

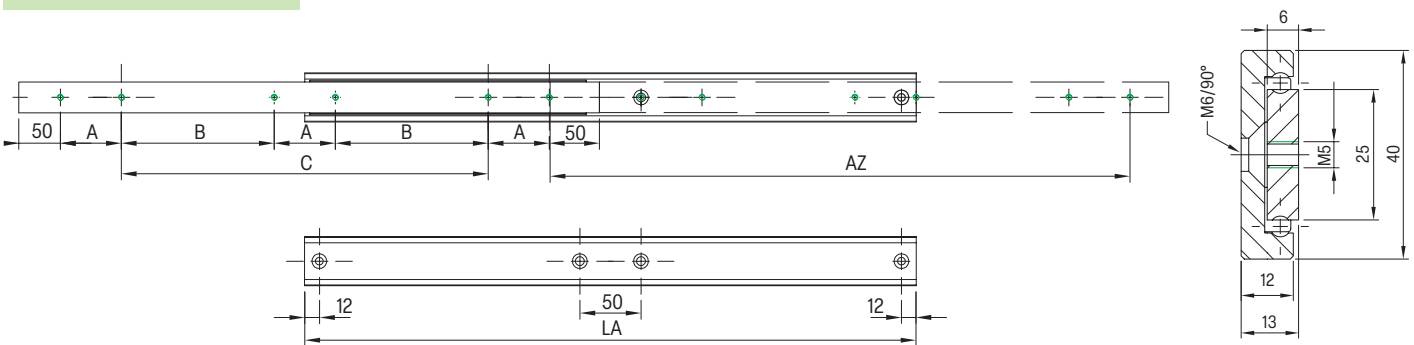
LA = Length
AZ = Travel
Load = Load capacity
10.000 Cycles
 Hole pattern

Other lengths and versions available on request

OWS-48



OWST-48



Article no. OWS-48	Article no. OWST-48	Load in kg 10.000	LA mm	AZ mm	A mm	B mm	C mm	Weight - kg/pcs. OWS-48	Weight - kg/pcs. OWST-48
07000330001	07000338001	80	150	75	50	-	-	0,51	0,54
07000330002	07000338002	90	200	100	50	-	-	0,68	0,72
07000330003	07000338003	110	250	125	50	-	50	0,85	0,90
07000330004	07000338004	130	300	150	50	-	100	1,02	1,08
07000330005	07000338005	150	350	175	50	-	150	1,19	1,26
07000330006	07000338006	180	400	200	50	-	200	1,36	1,44
07000330007	07000338007	230	450	225	50	-	250	1,53	1,62
07000330008	07000338008	260	500	250	50	-	300	1,70	1,80
07000330009	07000338009	280	550	275	50	150	-	1,87	1,98
07000330010	07000338010	270	600	300	50	175	-	2,04	2,16
07000330011	07000338011	260	650	325	50	200	-	2,21	2,34
07000330012	07000338012	250	700	350	50	225	-	2,38	2,52
07000330013	07000338013	240	750	375	50	250	-	2,55	2,70
07000330014	07000338014	230	800	400	50	275	-	2,72	2,88
07000330015	07000338015	220	850	425	50	300	-	2,89	3,06
07000330016	07000338016	210	900	450	50	325	-	3,06	3,24
07000330017	07000338017	200	950	475	50	350	-	3,23	3,42
07000330018	07000338018	190	1000	500	50	375	-	3,40	3,60
...
07000330022	07000338022	110	1200	600	50	475	-	4,08	4,32

Series OWS-50 | OWST-50

Load capacity up to 485 kg/Pair

Partial extension, Cross section 17,0 x 50,0 mm

Material

Steel (C45E+C)
zinc-plated
milled raceway

OWS-...

Single-sided extendable

OWST-...

Double-sided extendable

Note:

LA = Length

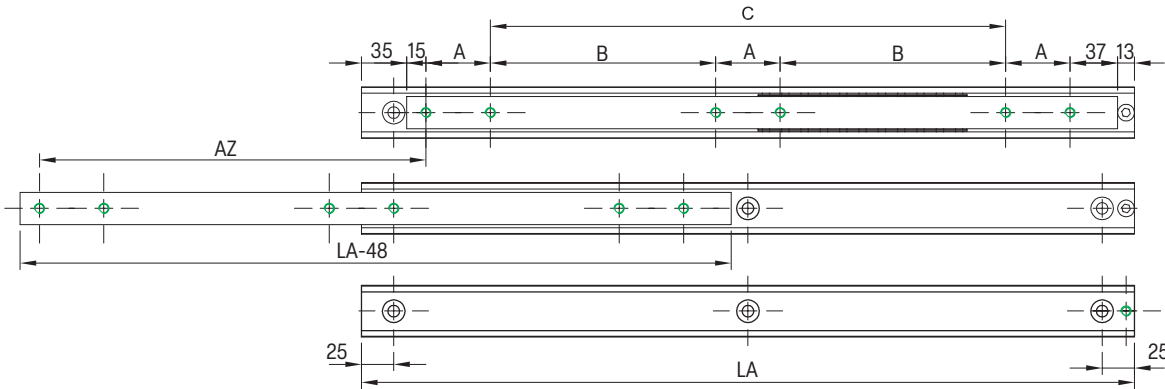
AZ = Travel

Load = Load capacity
10.000 Cycles

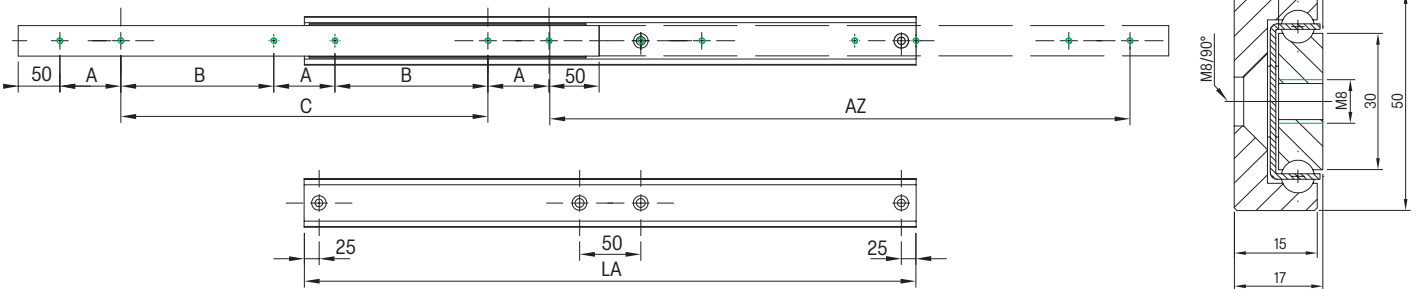
 Hole pattern

Other lengths and versions available on request

OWS-50



OWST-50



Article no. OWS-50	Article no. OWST-50	Load in kg 10.000	LA mm	AZ mm	A mm	B mm	C mm	Weight - kg/pcs. OWS-50	Weight - kg/pcs. OWST-50
07000331001	07000339001	330	200	100	50	-	-	1,06	1,10
07000331002	07000339002	340	250	125	50	-	50	1,32	1,38
07000331003	07000339003	360	300	150	50	-	100	1,59	1,65
07000331004	07000339004	380	350	175	50	-	150	1,85	1,92
07000331005	07000339005	400	400	200	50	-	200	2,12	2,20
07000331006	07000339006	420	450	225	50	-	250	2,38	2,48
07000331007	07000339007	440	500	250	50	-	300	2,65	2,75
07000331008	07000339008	460	550	275	50	150	-	2,92	3,03
07000331009	07000339009	470	600	300	50	175	-	3,18	3,30
07000331010	07000339010	480	650	325	50	200	-	3,44	3,58
07000331011	07000339011	485	700	350	50	225	-	3,71	3,85
07000331012	07000339012	475	750	375	50	250	-	3,97	4,12
07000331013	07000339013	460	800	400	50	275	-	4,24	4,40
07000331014	07000339014	450	850	425	50	300	-	4,50	4,67
07000331015	07000339015	435	900	450	50	325	-	4,77	4,95
07000331016	07000339016	420	950	475	50	350	-	5,03	5,22
07000331017	07000339017	400	1000	500	50	375	-	5,30	5,50
07000331018	07000339018	385	1050	525	50	400	-	5,57	5,78
07000331019	07000339019	365	1100	550	50	425	-	5,83	6,05
...	50
07000931037	07000339037	70	2000	1000	50	800	-	10,60	11,00

Load capacity up to 1.060 kg/Pair

Partial extension, Cross section 21,0 x 70,0 mm

Material

Steel (C45E+C)
zinc-plated
milled raceway

OWS-...

Single-sided extendable

OWST-...

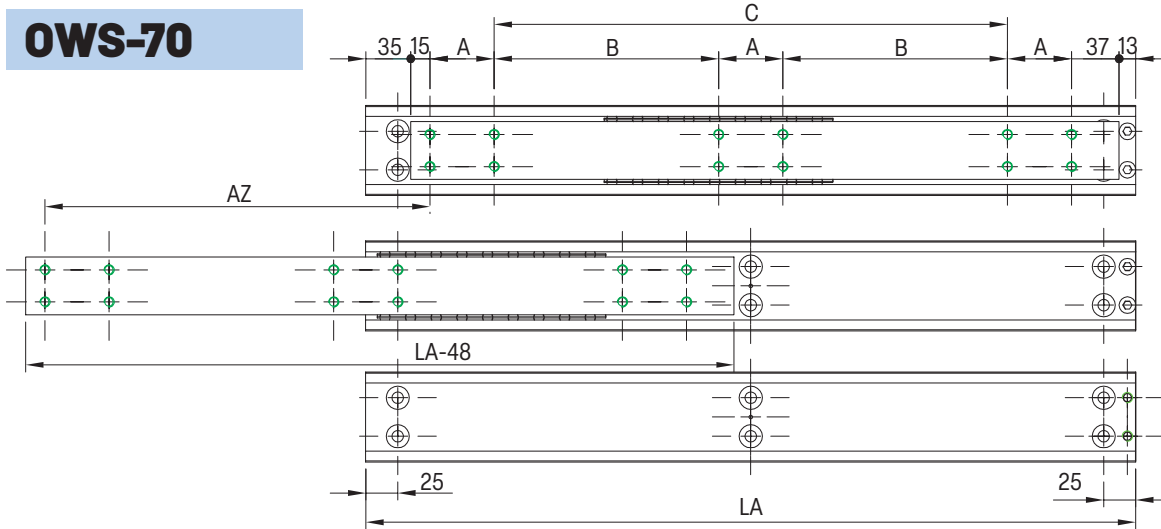
Double-sided extendable

Note:

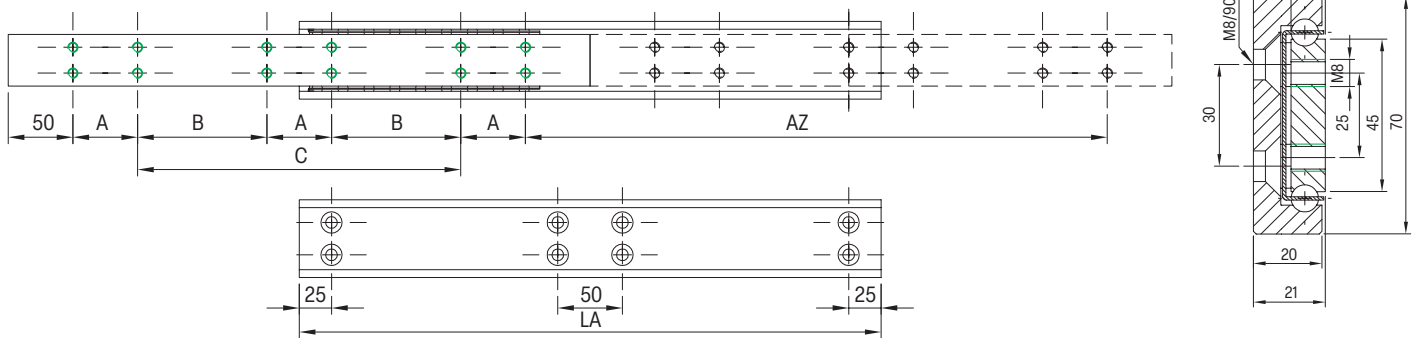
LA = Length
AZ = Travel
Load = Load capacity
10.000 Cycles
● Hole pattern

Other lengths and versions available on request

OWS-70



OWST-70



Article no. OWS-70	Article no. OWST-70	Load in kg 10.000	LA mm	AZ mm	A mm	B mm	C mm	Weight - kg/pcs. OWS-70	Weight - kg/pcs. OWST-70
07000332001	07000340001	800	300	150	50	-	100	2,76	2,88
07000332002	07000340002	830	350	175	50	-	150	3,22	3,36
07000332003	07000340003	860	400	200	50	-	200	3,68	3,84
07000332004	07000340004	890	450	225	50	-	250	4,14	4,32
07000332005	07000340005	930	500	250	50	-	300	4,60	4,80
07000332006	07000340006	960	550	275	50	-	350	5,06	5,28
07000332007	07000340007	980	600	300	50	-	400	5,52	5,76
07000332008	07000340008	1020	650	325	50	200	-	5,98	6,24
07000332009	07000340009	1060	700	350	50	225	-	6,44	6,72
07000332010	07000340010	1030	750	375	50	250	-	6,90	7,20
07000332011	07000340011	990	800	400	50	275	-	7,36	7,68
07000332012	07000340012	940	850	425	50	300	-	7,82	8,16
07000332013	07000340013	860	900	450	50	325	-	8,28	8,64
07000332014	07000340014	800	950	475	50	350	-	8,74	9,12
07000332015	07000340015	750	1000	500	50	375	-	9,20	9,60
07000332016	07000340016	710	1050	525	50	400	-	9,66	10,08
07000332017	07000340017	670	1100	550	50	425	-	10,12	10,56
07000332018	07000340018	630	1150	575	50	450	-	10,58	11,04
07000332019	07000340019	600	1200	600	50	475	-	11,04	11,52
...
07000332035	07000340035	310	2000	1000	100	800	-	18,40	19,20

Load capacity up to 1.210 kg/Pair

Partial extension, Cross section 20,0 x 80,0 mm

Material

Steel (C45E+C)
zinc-plated
milled raceway


OWS-...

Single-sided extendable

OWST-...

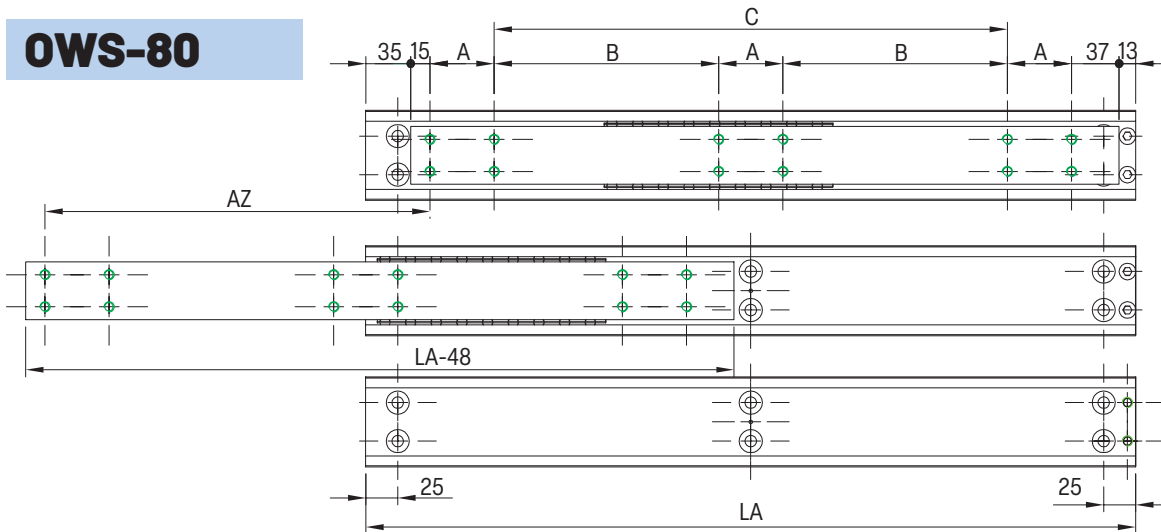
Double-sided extendable

Note:

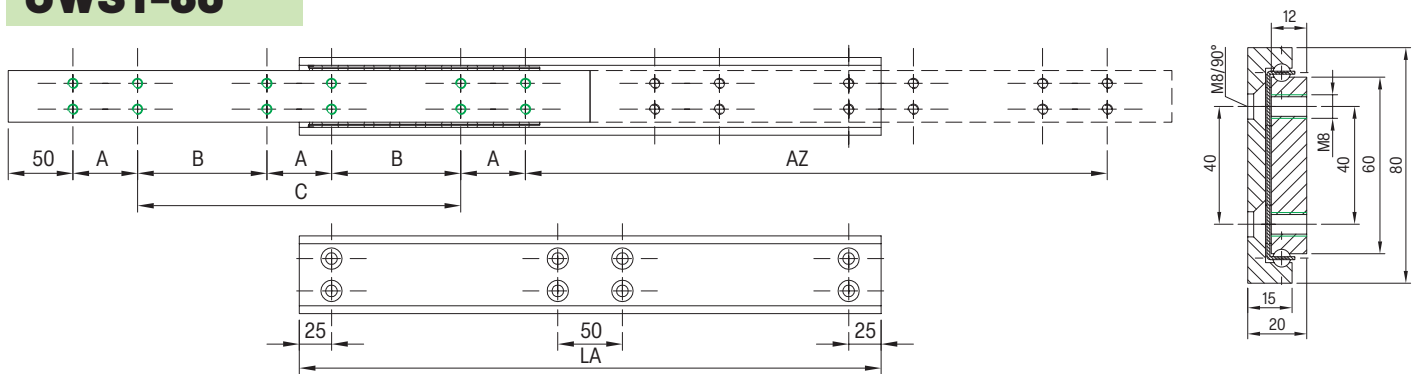
LA = Length
AZ = Travel
Load = Load capacity
10.000 Cycles
 Hole pattern

Other lengths and versions available on request

OWS-80



OWST-80



Article no. OWS-80	Article no. OWST-80	Load in kg 10.000	LA mm	AZ mm	A mm	B mm	C mm	Weight - kg/pcs. OWS-80	Weight - kg/pcs. OWST-80
07000333001	07000341001	850	200	100	50	-	-	2,08	2,14
07000333002	07000341002	920	250	125	50	-	500	2,60	2,67
07000333003	07000341003	960	300	150	50	-	100	3,12	3,21
07000333004	07000341004	980	350	175	50	-	150	3,64	3,74
07000333005	07000341005	1000	400	200	50	-	200	4,16	4,28
07000333006	07000341006	1030	450	225	50	-	250	4,68	4,81
07000333007	07000341007	1080	500	250	50	-	300	5,20	5,35
07000333008	07000341008	1110	550	275	50	150	-	5,72	5,88
07000333009	07000341009	1150	600	300	50	175	-	6,24	6,42
07000333010	07000341010	1180	650	325	50	200	-	6,76	6,96
07000333011	07000341011	1210	700	350	50	225	-	7,28	7,49
07000333012	07000341012	1190	750	375	50	250	-	7,80	8,02
07000333013	07000341013	1160	800	400	50	275	-	8,32	8,56
07000333014	07000341014	1110	850	425	50	300	-	8,84	9,09
07000333015	07000341015	1070	900	450	50	325	-	9,36	9,63
07000333016	07000341016	1030	950	475	50	350	-	9,88	10,16
07000333017	07000341017	970	1000	500	50	375	-	10,40	10,70
07000333018	07000341018	960	1050	525	50	400	-	10,92	11,23
07000333019	07000341019	940	1100	550	50	425	-	11,44	11,77
...
07000333037	07000341037	450	2000	1000	100	800	-	20,80	21,40

Load capacity up to 1.600 kg/Pair

Partial extension, Cross section 23,0 x 90,0 mm

Material

Steel (C45E+C)
zinc-plated
milled raceway


OWS-...

Single-sided extendable

OWST-...

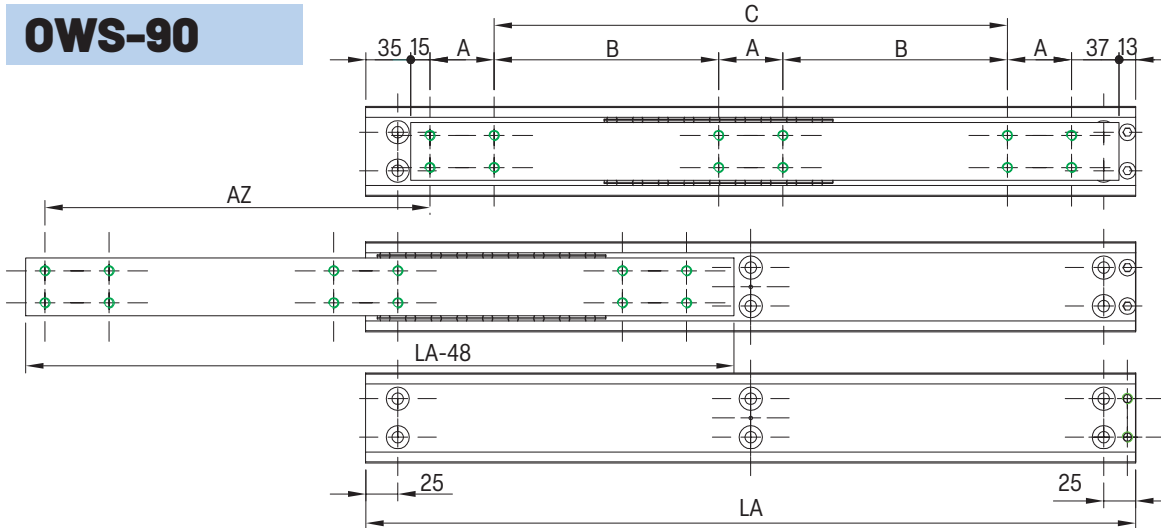
Double-sided extendable

Note:

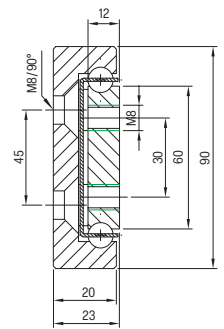
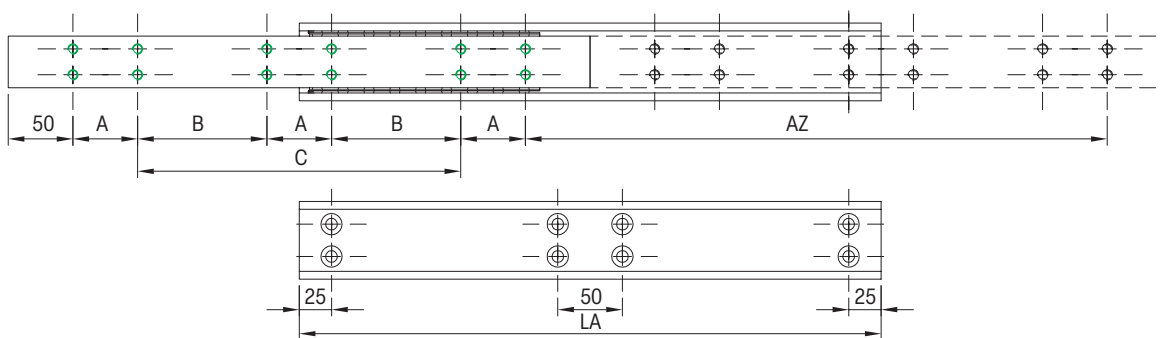
LA = Length
AZ = Travel
Load = Load capacity
10.000 Cycles
 Hole pattern

Other lengths and versions available on request

OWS-90



OWST-90



Article no. OWS-90	Article no. OWST-90	Load in kg 10.000	LA mm	AZ mm	A mm	B mm	C mm	Weight - kg/pcs. OWS-90	Weight - kg/pcs. OWST-90
07000334001	07000342001	1260	300	150	50	-	100	3,96	4,08
07000334002	07000342002	1300	350	175	50	-	150	4,62	4,76
07000334003	07000342003	1380	400	200	50	-	200	5,28	5,44
07000334004	07000342004	1440	450	225	50	-	250	5,94	6,12
07000334005	07000342005	1480	500	250	50	-	300	6,60	6,80
07000334006	07000342006	1520	550	275	50	-	350	7,26	7,48
07000334007	07000342007	1550	600	300	50	-	400	7,92	8,16
07000334008	07000342008	1580	650	325	50	200	-	8,58	8,84
07000334009	07000342009	1600	700	350	50	225	-	9,24	9,52
07000334010	07000342010	1560	750	375	50	250	-	9,90	10,20
07000334011	07000342011	1500	800	400	50	275	-	10,56	10,88
07000334012	07000342012	1440	850	425	50	300	-	11,22	11,56
07000334013	07000342013	1360	900	450	50	325	-	11,88	12,24
07000334014	07000342014	1320	950	475	50	350	-	12,54	12,92
07000334015	07000342015	1240	1000	500	50	375	-	13,20	13,60
07000334016	07000342016	1180	1050	525	50	400	-	13,86	14,28
07000334017	07000342017	1100	1100	550	50	425	-	14,52	14,96
07000334018	07000342018	1010	1150	575	50	450	-	15,18	15,64
07000334019	07000342019	950	1200	600	50	475	-	15,84	16,32
...
07000334035	07000342035	510	2000	1000	100	800	-	26,40	27,20

Series OWS-100 | OWST-100

Load capacity up to 1.750 kg/Pair

Partial extension, Cross section 24,0 x 100,0 mm

Material

Steel (C45E+C)
zinc-plated
milled raceway

OWS-...

Single-sided extendable

OWST-...

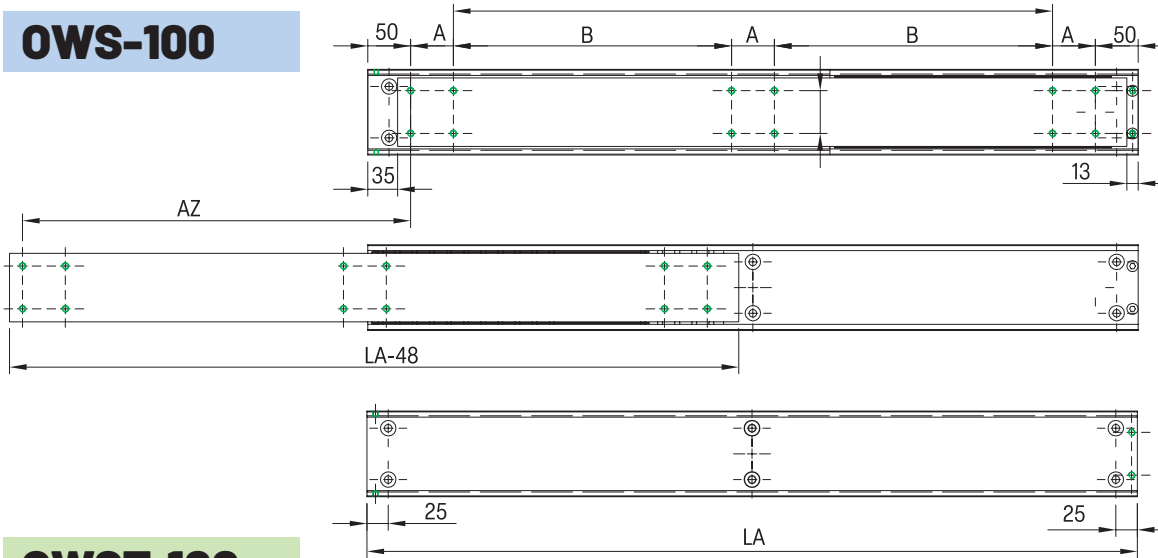
Double-sided extendable

Note:

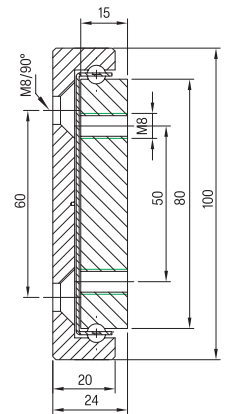
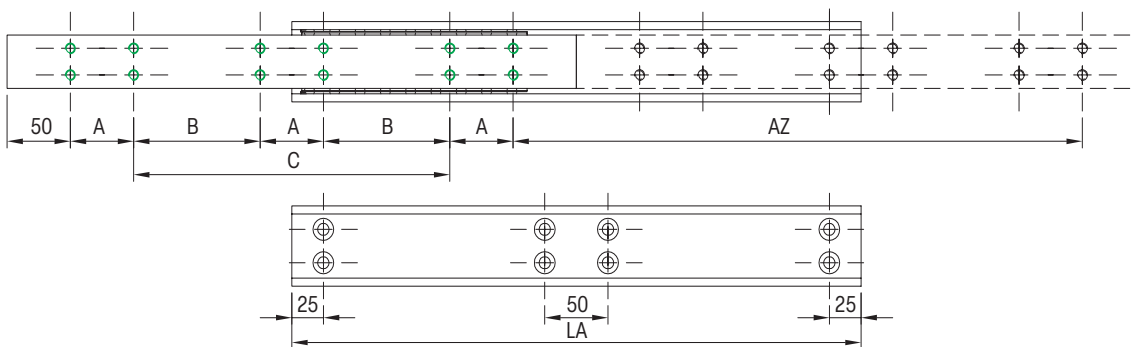
LA = Length
AZ = Travel
Load = Load capacity
10.000 Cycles
● Hole pattern

Other lengths and versions available on request

OWS-100



OWST-100



Article no. OWS-100	Article no. OWST-100	Load in kg 10.000	LA mm	AZ mm	A mm	B mm	C mm	Weight - kg/pcs. OWS-100	Weight - kg/pcs. OWST-100
07000335001	07000343001	1410	300	150	50	-	100	5,02	4,08
07000335002	07000343002	1450	350	175	50	-	150	5,86	4,76
07000335003	07000343003	1510	400	200	50	-	200	6,70	5,44
07000335004	07000343004	1570	450	225	50	-	250	7,54	6,12
07000335005	07000343005	1630	500	250	50	-	300	8,38	6,80
07000335006	07000343006	1670	550	275	50	-	350	9,21	7,48
07000335007	07000343007	1700	600	300	50	-	400	10,05	8,16
07000335008	07000343008	1730	650	325	50	200	-	10,89	8,84
07000335009	07000343009	1750	700	350	50	225	-	11,72	9,52
07000335010	07000343010	1690	750	375	50	250	-	12,56	10,2
07000335011	07000343011	1630	800	400	50	275	-	13,4	10,88
07000335012	07000343012	1550	850	425	50	300	-	14,24	11,56
07000335013	07000343013	1450	900	450	50	325	-	15,08	12,24
07000335014	07000343014	1400	950	475	50	350	-	15,91	12,92
07000335015	07000343015	1320	1000	500	50	375	-	16,75	13,60
07000335016	07000343016	1260	1050	525	50	400	-	17,59	14,28
07000335017	07000343017	1210	1100	550	50	425	-	18,43	14,96
07000335018	07000343018	1160	1150	575	50	450	-	19,26	15,64
07000335019	07000343019	1100	1200	600	50	475	-	20,10	16,32
...
07000335035	07000343035	670	2000	1000	100	800	-	33,50	27,20

Load capacity up to 314 kg/Pair

Full extension, Cross section 26,0 x 60,0 mm

Material

Steel (C45E+C)
zinc-plated
milled raceway

TSR-...

Single-sided extendable

TSRT-...

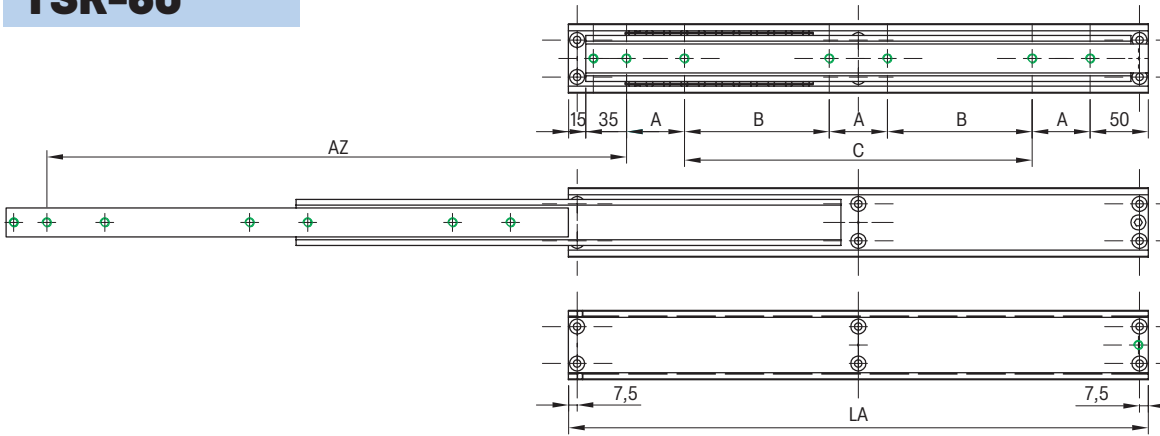
Double-sided extendable

Note:

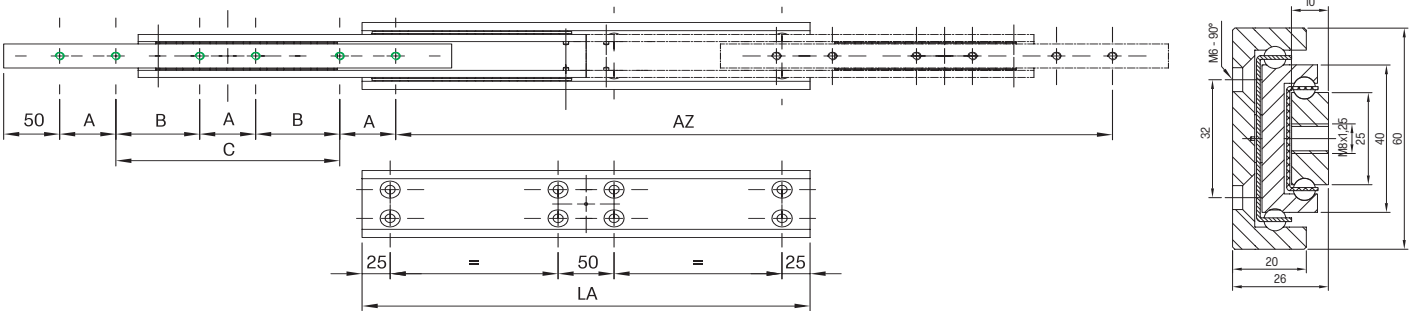
LA = Length
AZ = Travel
Load = Load capacity
10.000 Cycles
● Hole pattern

Other lengths and versions available on request

TSR-60



TSRT-60



Article no. TSR-60	Article no. TSRT-60	Load in kg 10.000	LA mm	AZ mm	A mm	B mm	C mm	Weight - kg/pcs. TSR-60	Weight - kg/pcs. TSRT-60
07000348001	07000944001	274	300	300	50	-	100	2,58	2,67
07000348002	07000944002	279	350	350	50	-	150	3,01	3,11
07000348003	07000944003	284	400	400	50	-	200	3,44	3,56
07000348004	07000944004	288	450	450	50	-	250	3,87	4,00
07000348005	07000944005	294	500	500	50	-	300	4,30	4,45
07000348006	07000944006	300	550	550	50	150	-	4,73	4,90
07000348007	07000944007	307	600	600	50	175	-	5,16	5,34
07000348008	07000944008	314	650	650	50	200	-	5,59	5,79
07000348009	07000944009	310	700	700	50	225	-	6,02	6,23
07000348010	07000944010	306	750	750	50	250	-	6,45	6,68
07000348011	07000944011	300	800	800	50	275	-	6,88	7,12
07000348012	07000944012	292	850	850	50	300	-	7,31	7,57
07000348013	07000944013	286	900	900	50	325	-	7,74	8,01
07000348014	07000944014	280	950	950	50	350	-	8,17	8,46
07000348015	07000944015	272	1000	1000	50	375	-	8,60	8,90
07000348016	07000944016	262	1050	1050	50	400	-	9,03	9,35
07000348017	07000944017	252	1100	1100	50	425	-	9,46	9,79
07000348018	07000944018	242	1150	1150	50	450	-	9,89	10,23
07000348019	07000944019	232	1200	1200	50	475	-	10,32	10,68
...
07000348027	07000944027	150	1600	1600	50	675	-	13,76	14,24

Series TSR-70 | TSRT-70

Load capacity up to 435 kg/Pair

Full extension, Cross section 24,0 x 70,0 mm

Material

Steel (C45E+C)
zinc-plated
milled raceway

TSR-...

Single-sided extendable

TSRT-...

Double-sided extendable

Note:

LA = Length

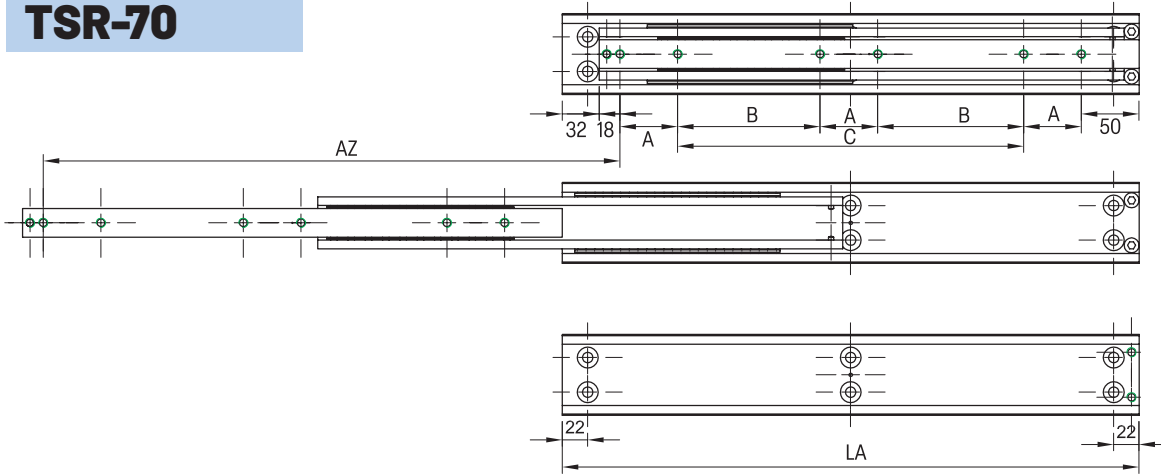
AZ = Travel

Load = Load capacity
10.000 Cycles

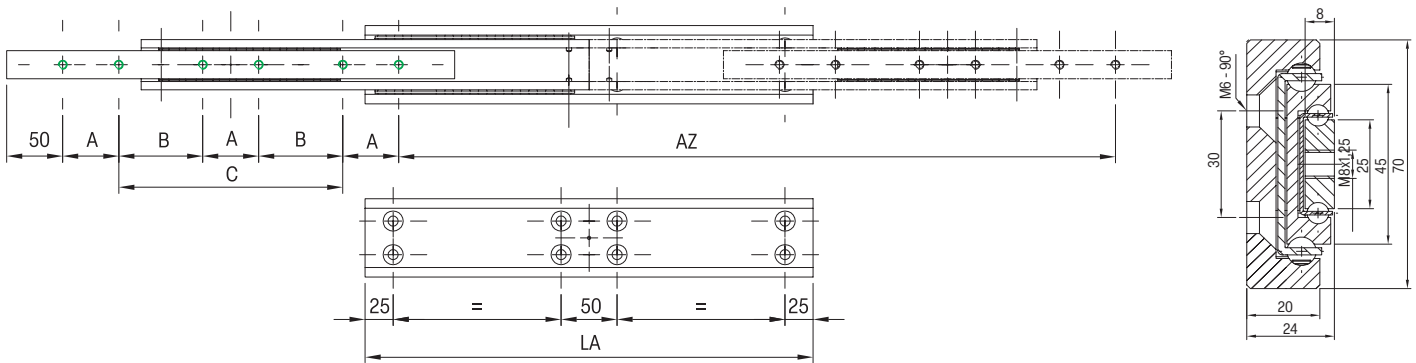
 Hole pattern

Other lengths and versions available on request

TSR-70



TSRT-70



Article no. TSR-70	Article no. TSRT-70	Load in kg 10.000	LA mm	AZ mm	A mm	B mm	C mm	Weight - kg/pcs. TSR-70	Weight - kg/pcs. TSRT-70
07000349001	07000943001	390	300	300	50	-	100	2,88	2,91
07000349002	07000943002	395	350	350	50	-	150	3,36	3,39
07000349003	07000943003	400	400	400	50	-	200	3,84	3,88
07000349004	07000943004	405	450	450	50	-	250	4,32	4,37
07000349005	07000943005	415	500	500	50	-	300	4,80	4,85
07000349006	07000943006	420	550	550	50	-	350	5,28	5,33
07000349007	07000943007	430	600	600	50	-	400	5,76	5,82
07000349008	07000943008	435	650	650	50	200	-	6,24	6,30
07000349009	07000943009	430	700	700	50	225	-	6,72	6,79
07000349010	07000943010	425	750	750	50	250	-	7,20	7,27
07000349011	07000943011	420	800	800	50	275	-	7,68	7,76
07000349012	07000943012	410	850	850	50	300	-	8,16	8,24
07000349013	07000943013	400	900	900	50	325	-	8,64	8,73
07000349014	07000943014	395	950	950	50	350	-	9,12	9,21
07000349015	07000943015	380	1000	1000	50	375	-	9,60	9,70
07000349016	07000943016	365	1050	1050	50	400	-	10,08	10,19
07000349017	07000943017	350	1100	1100	50	425	-	10,56	10,67
07000349018	07000943018	340	1150	1150	50	450	-	11,04	11,15
07000349019	07000943019	325	1200	1200	50	475	-	11,52	11,64
...
07000349035	07000943035	65	2000	2000	50	800	-	19,20	19,40

Series TSR-80 | TSRT-80

Load capacity up to 435 kg/Pair

Full extension, Cross section 25,0 x 80,0 mm

Material

Steel (C45E+C)
zinc-plated
milled raceway

TSR-...

Single-sided extendable

TSRT-...

Double-sided extendable

Note:

LA = Length

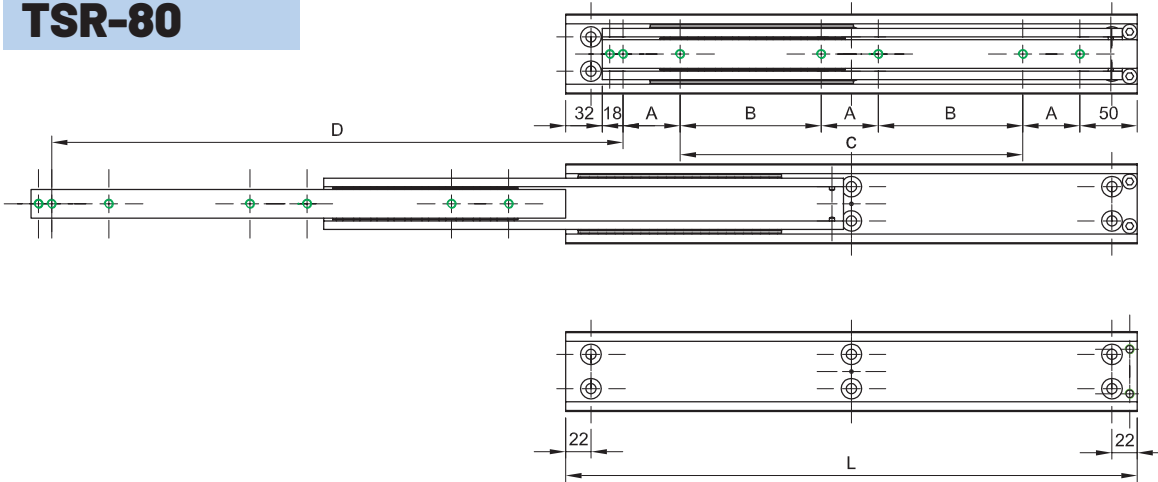
AZ = Travel

Load = Load capacity
10.000 Cycles

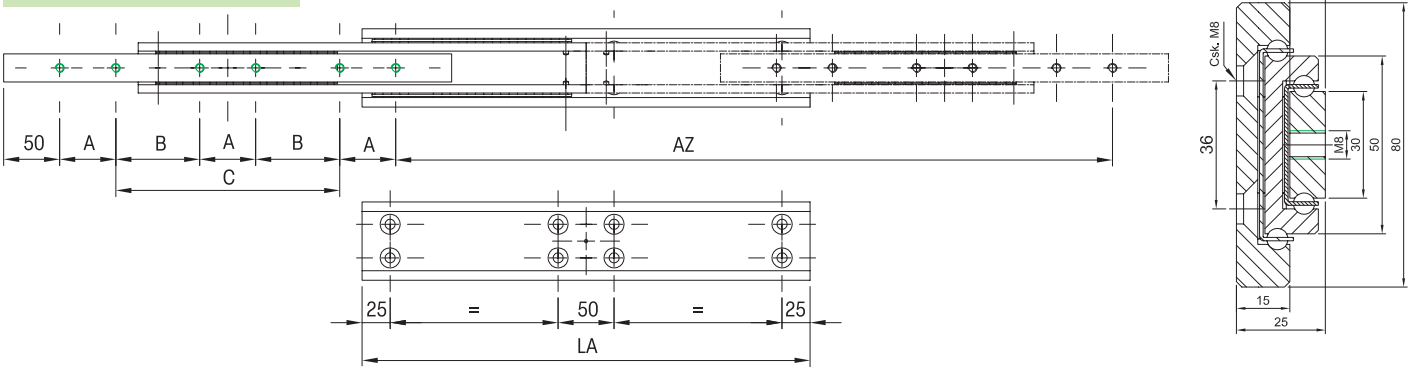
 Hole pattern

Other lengths and versions available on request

TSR-80



TSRT-80



Article no. TSR-80	Article no. TSRT-80	Load in kg 10.000	LA mm	AZ mm	A mm	B mm	C mm	Weight - kg/pcs. TSR-80	Weight - kg/pcs. TSRT-80
07000350001	07000945001	390	300	300	50	-	100	3,12	3,15
07000350002	07000945002	400	350	350	50	-	150	3,64	3,67
07000350003	07000945003	405	400	400	50	-	200	4,16	4,20
07000350004	07000945004	410	450	450	50	-	250	4,68	4,73
07000350005	07000945005	415	500	500	50	-	300	5,20	5,25
07000350006	07000945006	420	550	550	50	-	350	5,72	5,70
07000350007	07000945007	425	600	600	50	-	400	6,24	6,30
07000350008	07000945008	435	650	650	50	200	-	6,76	6,83
07000350009	07000945009	430	700	700	50	225	-	7,28	7,35
07000350010	07000945010	425	750	750	50	250	-	7,80	7,88
07000350011	07000945011	420	800	800	50	275	-	8,32	8,40
07000350012	07000945012	410	850	850	50	300	-	8,84	8,92
07000350013	07000945013	400	900	900	50	325	-	9,36	9,45
07000350014	07000945014	390	950	950	50	350	-	9,88	9,97
07000350015	07000945015	380	1000	1000	50	375	-	10,40	10,50
07000350016	07000945016	370	1050	1050	50	400	-	10,92	11,03
07000350017	07000945017	360	1100	1100	50	425	-	11,44	11,55
07000350018	07000945018	345	1150	1150	50	450	-	11,96	12,07
07000350019	07000945019	330	1200	1200	50	475	-	12,48	12,60
...
07000350035	07000945035	140	2000	2000	50	800	-	20,80	21,00

Series TSR-90 | TSRT-90

Load capacity up to 690 kg/Pair

Full extension, Cross section 28,0 x 90,0 mm

Material

Steel (C45E+C)
zinc-plated
milled raceway

TSR-...

Single-sided extendable

TSRT-...

Double-sided extendable

Note:

LA = Length

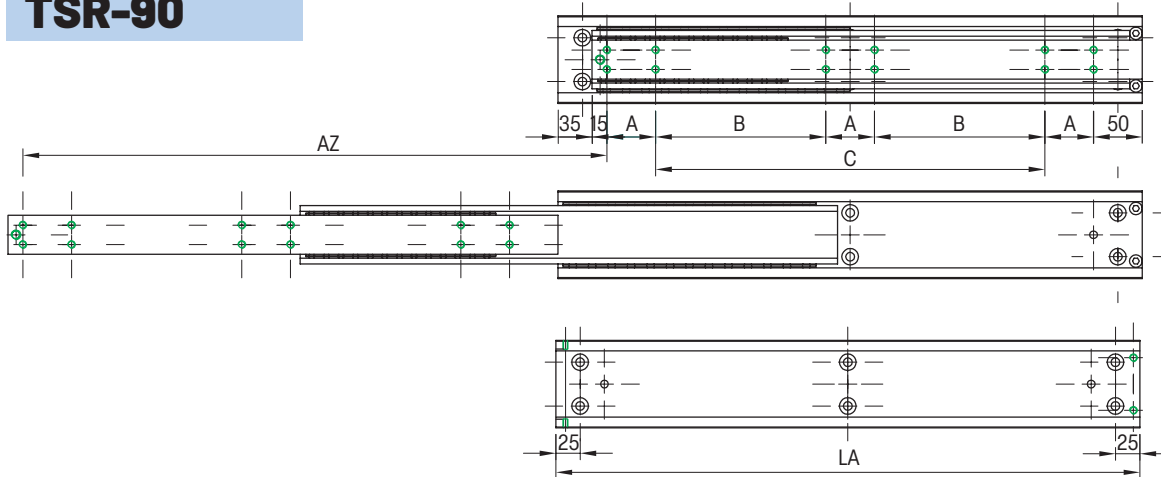
AZ = Travel

Load = Load capacity
10.000 Cycles

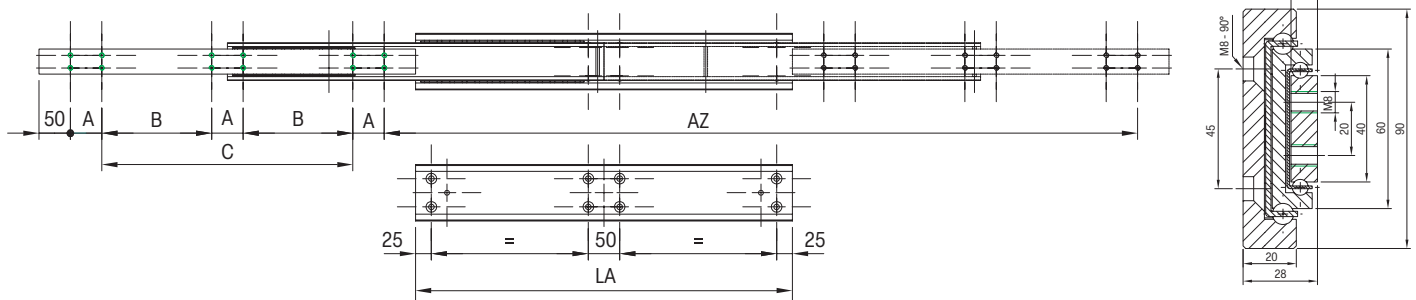
 Hole pattern

Other lengths and versions available on request

TSR-90



TSRT-90



Article no. TSR-90	Article no. TSRT-90	Load in kg 10.000	LA mm	AZ mm	A mm	B mm	C mm	Weight - kg/pcs. TSR-90	Weight - kg/pcs. TSRT-90
07000351001	07000946001	620	300	300	50	-	100	4,26	4,86
07000351002	07000946002	630	350	350	50	-	150	4,97	5,67
07000351003	07000946003	640	400	400	50	-	200	5,68	6,48
07000351004	07000946004	650	450	450	50	-	250	6,39	7,29
07000351005	07000946005	660	500	500	50	-	300	7,10	8,10
07000351006	07000946006	670	550	550	50	-	350	7,81	8,91
07000351007	07000946007	680	600	600	50	-	400	8,52	9,72
07000351008	07000946008	690	650	650	50	200	-	9,23	10,53
07000351009	07000946009	680	700	700	50	225	-	9,94	11,34
07000351010	07000946010	670	750	750	50	250	-	10,65	12,15
07000351011	07000946011	660	800	800	50	275	-	11,36	12,96
07000351012	07000946012	650	850	850	50	300	-	12,07	13,77
07000351013	07000946013	640	900	900	50	325	-	12,78	14,58
07000351014	07000946014	630	950	950	50	350	-	13,49	15,39
07000351015	07000946015	615	1000	1000	50	375	-	14,20	16,20
07000351015	07000946016	590	1050	1050	50	400	-	14,91	17,01
07000351017	07000946017	565	1100	1100	50	425	-	15,62	17,82
07000351018	07000946018	540	1150	1150	50	450	-	16,33	18,63
07000351019	07000946019	520	1200	1200	50	475	-	17,04	19,44
...
07000351035	07000946035	190	2000	2000	50	800	-	28,40	32,40

Load capacity up to 1.000 kg/Pair

Full extension, Cross section 32,0 x 100,0 mm

Material

Steel (C45E+C)
zinc-plated
milled raceway

TSR-...

Single-sided extendable

TSRT-...

Double-sided extendable

Note:

LA = Length

AZ = Travel

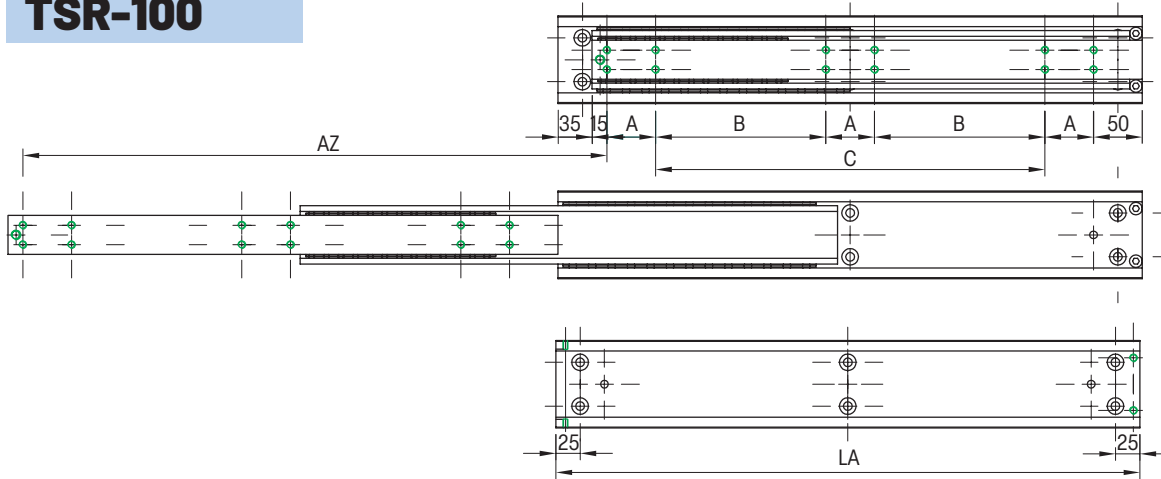
Load = Load capacity

10.000 Cycles

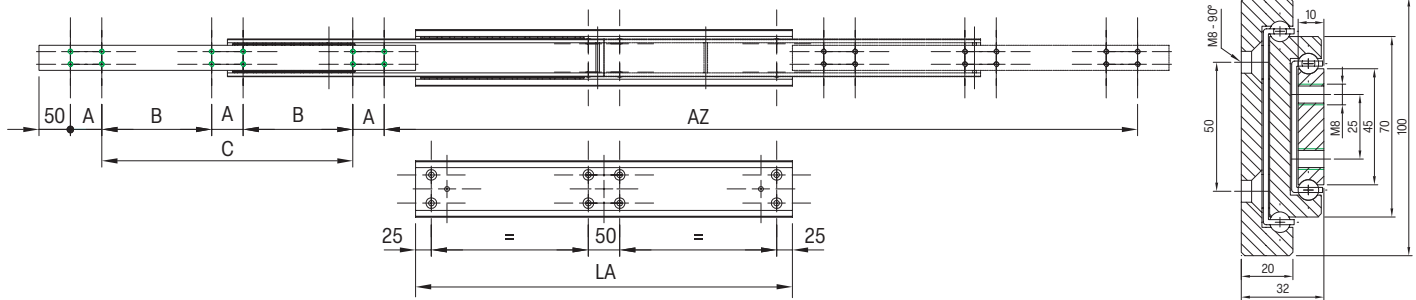
 Hole pattern

Other lengths and versions available on request

TSR-100



TSRT-100



Article no. TSR-100	Article no. TSRT-100	Load in kg 10.000	LA mm	AZ mm	A mm	B mm	C mm	Weight - kg/pcs. TSR-100	Weight - kg/pcs. TSRT-100
07000352001	07000947001	820	300	300	50	-	100	5,16	5,16
07000352002	07000947002	860	350	350	50	-	150	6,02	6,02
07000352003	07000947003	900	400	400	50	-	200	6,88	6,88
07000352004	07000947004	940	450	450	50	-	250	7,74	7,74
07000352005	07000947005	960	500	500	50	-	300	8,60	8,60
07000352006	07000947006	980	550	550	50	-	350	9,46	9,46
07000352007	07000947007	1000	600	600	50	-	400	10,32	10,32
07000352008	07000947008	980	650	650	50	200	-	11,18	11,18
07000352009	07000947009	950	700	700	50	225	-	12,04	12,04
07000352010	07000947010	920	750	750	50	250	-	12,90	12,90
07000352011	07000947011	890	800	800	50	275	-	13,76	13,76
07000352012	07000947012	860	850	850	50	300	-	14,62	14,62
07000352013	07000947013	830	900	900	50	325	-	15,48	15,48
07000352014	07000947014	820	950	950	50	350	-	16,34	16,34
07000352015	07000947015	800	1000	1000	50	375	-	17,20	17,20
07000352016	07000947016	780	1050	1050	50	400	-	18,06	18,06
07000352017	07000947017	760	1100	1100	50	425	-	18,92	18,92
07000352018	07000947018	740	1150	1150	50	450	-	19,78	19,78
07000352019	07000947019	720	1200	1200	50	475	-	20,64	20,64
...
07000352035	07000947035	400	2000	2000	50	800	-	34,40	34,40

Custom vehicle manufacturing



Series DTS-35

Load capacity up to 120 kg/Pair

Full extension, Cross section 18,0 x 35,0 mm

Material

Steel (C45E+C)
zinc-plated
milled raceway

DTS-...

Single-sided extendable

DTS-35

Note:

LA = Length

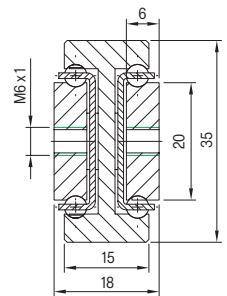
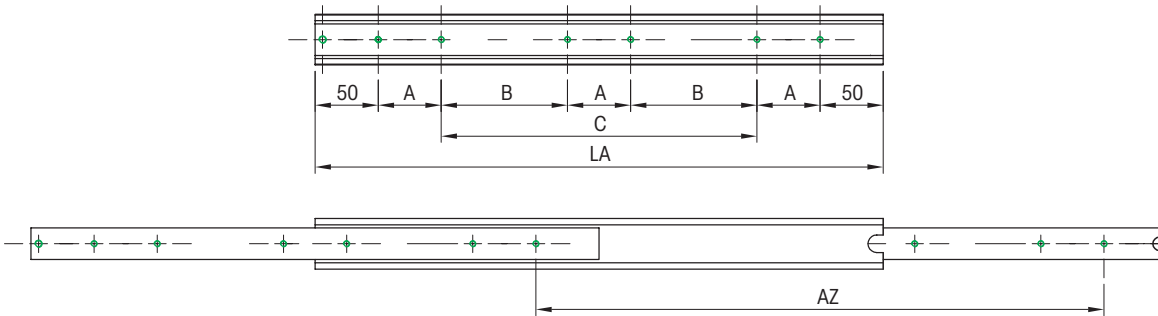
AZ = Travel

Load = Load capacity

10.000 Cycles

 Hole pattern

Other lengths and versions available on request



Article no. DTS-35	Load in kg 10.000	LA mm	AZ mm	A mm	B mm	C mm	Weight - kg/pcs. DTS-35
07000318001	60	150	150	50	-	-	0,51
07000318002	70	200	200	50	-	-	0,68
07000318003	80	250	250	50	-	50	0,85
07000318004	90	300	300	50	-	100	1,02
07000318005	100	350	350	50	-	150	1,19
07000318006	110	400	400	50	-	200	1,36
07000318007	120	450	450	50	-	250	1,53
07000318008	115	500	500	50	-	300	1,70
07000318009	100	550	550	50	150	-	1,87
07000318010	90	600	600	50	175	-	2,04
07000318011	85	650	650	50	200	-	2,21
07000318012	80	700	700	50	225	-	2,38
07000318013	75	750	750	50	250	-	2,55
07000318014	70	800	800	50	275	-	2,72
07000318015	65	850	850	50	300	-	2,89
07000318016	60	900	900	50	325	-	3,06
07000318017	55	950	950	50	350	-	3,23
07000318018	50	1000	1000	50	375	-	3,40

Series DTS-45

Load capacity up to 160 kg/Pair

Full extension, Cross section 13,0 x 40,0 mm

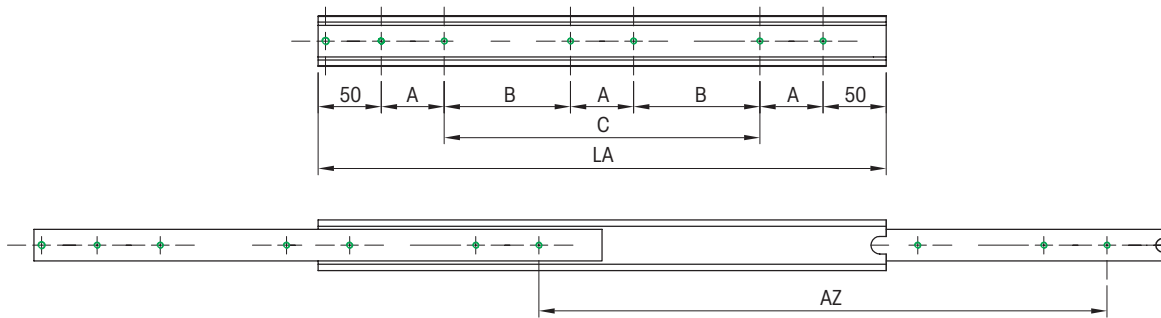
Material

Steel (C45E+C)
zinc-plated
milled raceway

DTS-...

Single-sided extendable

DTS-45



Note:

LA = Length

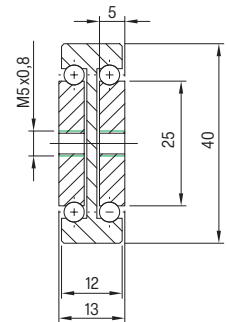
AZ = Travel

Load = Load capacity

10.000 Cycles

 Hole pattern

Other lengths and versions available on request



Article no. DTS-45	Load in kg 10.000	LA mm	AZ mm	A mm	B mm	C mm	Weight - kg/pcs. DTS-45
07000941001	90	150	150	50	-	-	0,45
07000941002	107	200	200	50	-	-	0,59
07000941003	114	250	250	50	-	50	0,73
07000941004	125	300	300	50	-	100	0,87
07000941005	136	350	350	50	-	150	1,01
07000941006	147	400	400	50	-	200	1,15
07000941007	158	450	450	50	-	250	1,30
07000941008	164	500	500	50	-	300	1,44
07000941009	166	550	550	50	150	-	1,58
07000941010	160	600	600	50	175	-	1,72
07000941011	155	650	650	50	200	-	1,86
07000941012	150	700	700	50	225	-	2,00
07000941013	140	750	750	50	250	-	2,14
07000941014	125	800	800	50	275	-	2,29
07000941015	110	850	850	50	300	-	2,43
07000941016	98	900	900	50	325	-	2,57
07000941017	90	950	950	50	350	-	2,71
07000941018	80	1000	1000	50	375	-	2,85

Series DTS-48

Load capacity up to 166 kg/Pair

Full extension, Cross section 17,0 x 40,0 mm

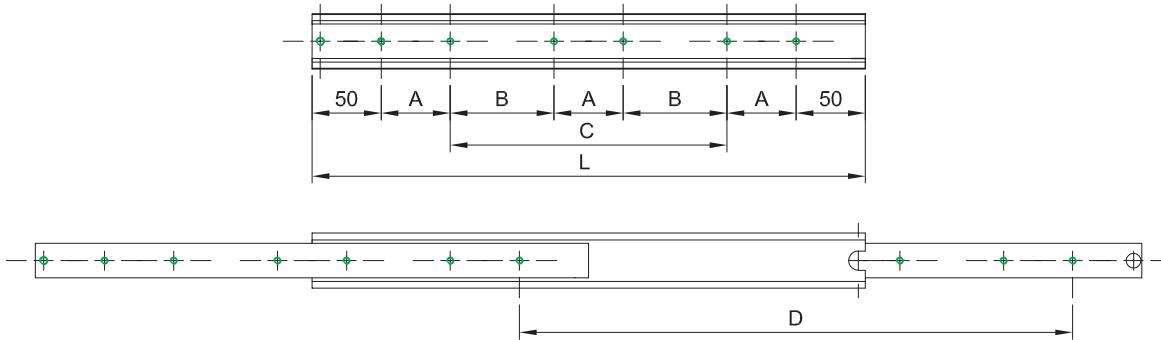
Material

Steel (C45E+C)
zinc-plated
milled raceway

DTS-...

Single-sided extendable

DTS-48



Note:

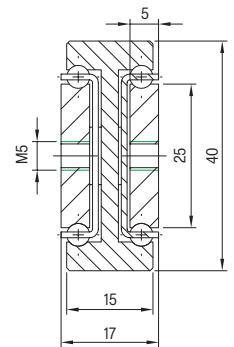
LA = Length

AZ = Travel

Load = Load capacity
10.000 Cycles

 Hole pattern

Other lengths and versions available on request



Article no. DTS-48	Load in kg 10.000	LA mm	AZ mm	A mm	B mm	C mm	Weight - kg/pcs. DTS-48
07000320001	90	150	150	50	-	-	0,58
07000320002	107	200	200	50	-	-	0,77
07000320003	114	250	250	50	-	50	0,95
07000320004	125	300	300	50	-	100	1,14
07000320005	136	350	350	50	-	150	1,32
07000320006	147	400	400	50	-	200	1,51
07000320007	158	450	450	50	-	250	1,69
07000320008	164	500	500	50	-	300	1,88
07000320009	166	550	550	50	150	-	2,06
07000320010	160	600	600	50	175	-	2,25
07000320011	155	650	650	50	200	-	2,43
07000320012	150	700	700	50	225	-	2,62
07000320013	140	750	750	50	250	-	2,80
07000320014	125	800	800	50	275	-	2,99
07000320015	110	850	850	50	300	-	3,17
07000320016	98	900	900	50	325	-	3,36
07000320017	90	950	950	50	350	-	3,54
07000320018	80	1000	1000	50	375	-	3,73

Series DTS-40 | DTSB-40

Load capacity up to 350 kg/Pair

Full extension, Cross section 24,0 x 40,0 mm

Material

Steel (C45E+C)
zinc-plated
milled raceway

DTS-...

Single-sided extendable

DTSB-...

Double-sided extendable

Note:

LA = Length

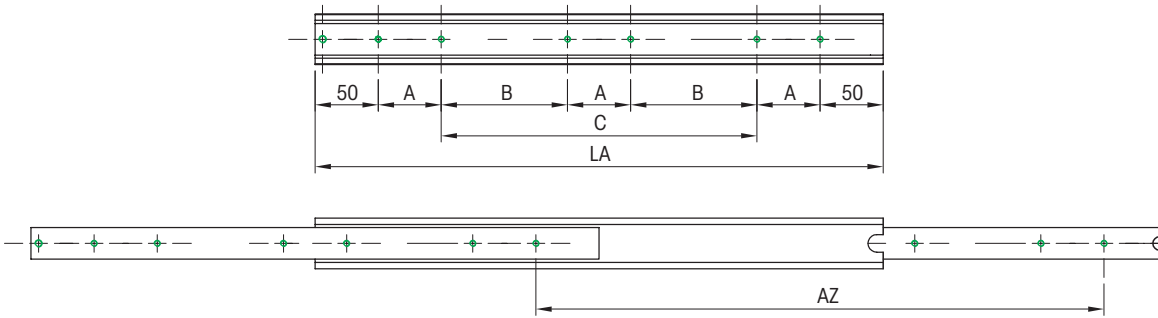
AZ = Travel

Load = Load capacity
10.000 Cycles

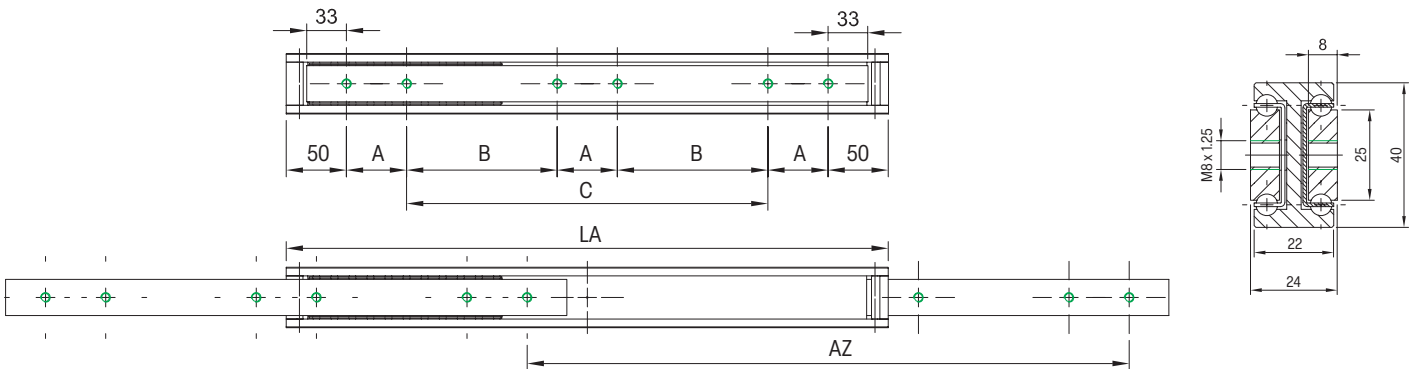
 Hole pattern

Other lengths and versions available on request

DTS-40



DTSB-40



Article no. DTS-40	Article no. DTSB-40	Load in kg 10.000	LA mm	AZ mm	A mm	B mm	C mm	Weight - kg/pcs. DTS-40	Weight - kg/pcs. DTSB-40
07000319001	07000485001	270	200	200	50	-	-	1,14	1,11
07000319002	07000485002	280	250	250	50	-	50	1,43	1,39
07000319003	07000485003	290	300	300	50	-	100	1,71	1,67
07000319004	07000485004	300	350	350	50	-	150	2,00	1,94
07000319005	07000485005	310	400	400	50	-	200	2,28	2,22
07000319006	07000485006	320	450	450	50	-	250	2,57	2,50
07000319007	07000485007	330	500	500	50	-	300	2,85	2,78
07000319008	07000485008	350	550	550	50	150	-	3,14	3,05
07000319009	07000485009	340	600	600	50	175	-	3,42	3,33
07000319010	07000485010	320	650	650	50	200	-	3,71	3,61
07000319011	07000485011	300	700	700	50	225	-	3,99	3,89
07000319012	07000485012	290	750	750	50	250	-	4,28	4,16
07000319013	07000485013	280	800	800	50	275	-	4,56	4,44
07000319014	07000485014	270	850	850	50	300	-	4,85	4,72
07000319015	07000485015	250	900	900	50	325	-	5,13	5,00
07000319016	07000485016	230	950	950	50	350	-	5,42	5,27
07000319017	07000485017	220	1000	1000	50	375	-	5,70	5,55
	07000485018	210	1050	1050	50	400	-		5,83
	07000485019	200	1100	1100	50	425	-		6,11

	07000485037	40	2000	2000	50	800	-		11,10

Load capacity up to 420 kg/Pair

Full extension, Cross section 30,0 x 50,0 mm

Material

Steel (C45E+C)
zinc-plated
milled raceway

DTS-...

Single-sided extendable

DTSB-...

Double-sided extendable

Note:

LA = Length

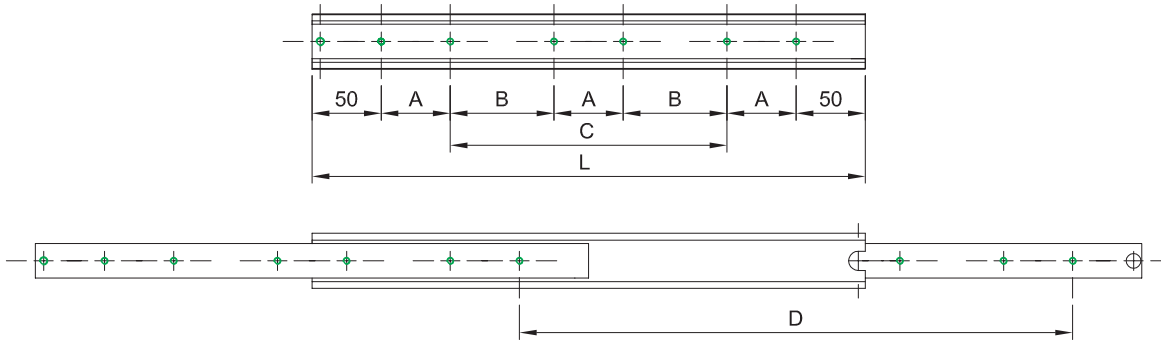
AZ = Travel

Load = Load capacity
10.000 Cycles

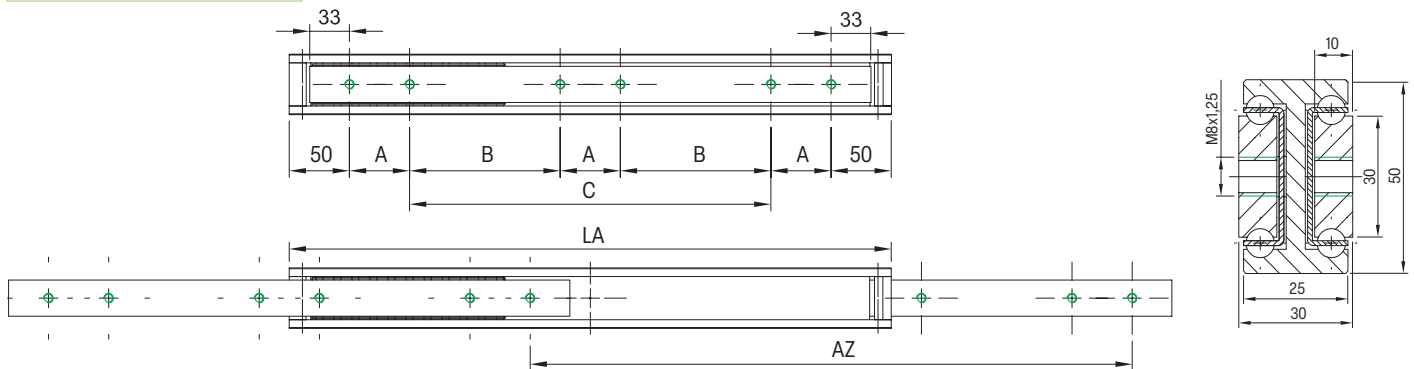
 Hole pattern

Other lengths and versions available on request

DTS-50



DTSB-50



Article no. DTS-50	Article no. DTSB-50	Load in kg 10.000	LA mm	AZ mm	A mm	B mm	C mm	Weight - kg/pcs. DTS-50	Weight - kg/pcs. DTSB-50
07000321001	07000486001	340	200	200	50	-	-	1,78	1,62
07000321002	07000486002	350	250	250	50	-	50	2,23	2,03
07000321003	07000486003	360	300	300	50	-	100	2,67	2,43
07000321004	07000486004	370	350	350	50	-	150	3,12	2,84
07000321005	07000486005	380	400	400	50	-	200	3,56	3,24
07000321006	07000486006	380	450	450	50	-	250	4,01	3,65
07000321007	07000486007	400	500	500	50	-	300	4,45	4,05
07000321008	07000486008	410	550	550	50	-	350	4,90	4,46
07000321009	07000486009	420	600	600	50	-	400	5,34	4,86
07000321010	07000486010	410	650	650	50	200	-	5,79	5,27
07000321011	07000486011	400	700	700	50	225	-	6,23	5,67
07000321012	07000486012	390	750	750	50	250	-	6,68	6,08
07000321013	07000486013	380	800	800	50	275	-	7,12	6,48
07000321014	07000486014	370	850	850	50	300	-	7,57	6,89
07000321015	07000486015	360	900	900	50	325	-	8,01	7,29
07000321016	07000486016	350	950	950	50	350	-	8,46	7,70
07000321017	07000486017	340	1000	1000	50	375	-	8,90	8,10
07000321018	07000486018	330	1050	1050	50	400	-	9,35	8,51
07000321019	07000486019	320	1100	1100	50	425	-	9,79	8,91
...
07000321029	07000486029	180	1600	1600	50	675	-	14,24	12,96

Load capacity up to 600 kg/Pair

Full extension, Cross section 30,0 x 60,0 mm

Material

Steel (C45E+C)
zinc-plated
milled raceway

DTS-...

Single-sided extendable

DTSB-...

Double-sided extendable

Note:

LA = Length

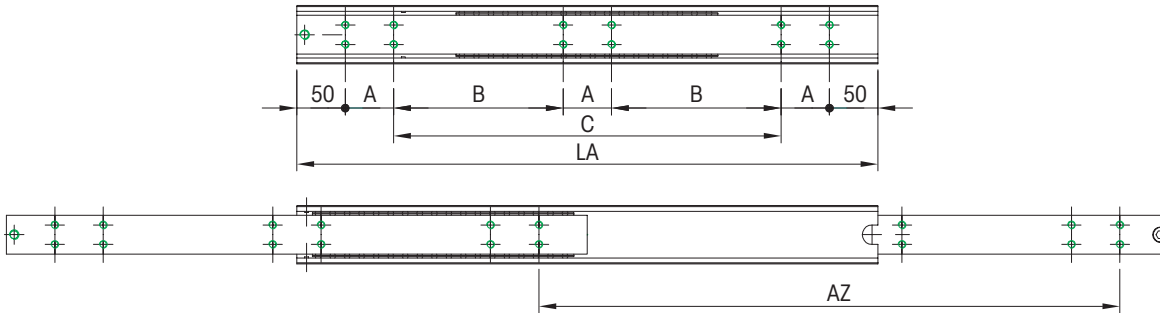
AZ = Travel

Load = Load capacity
10.000 Cycles

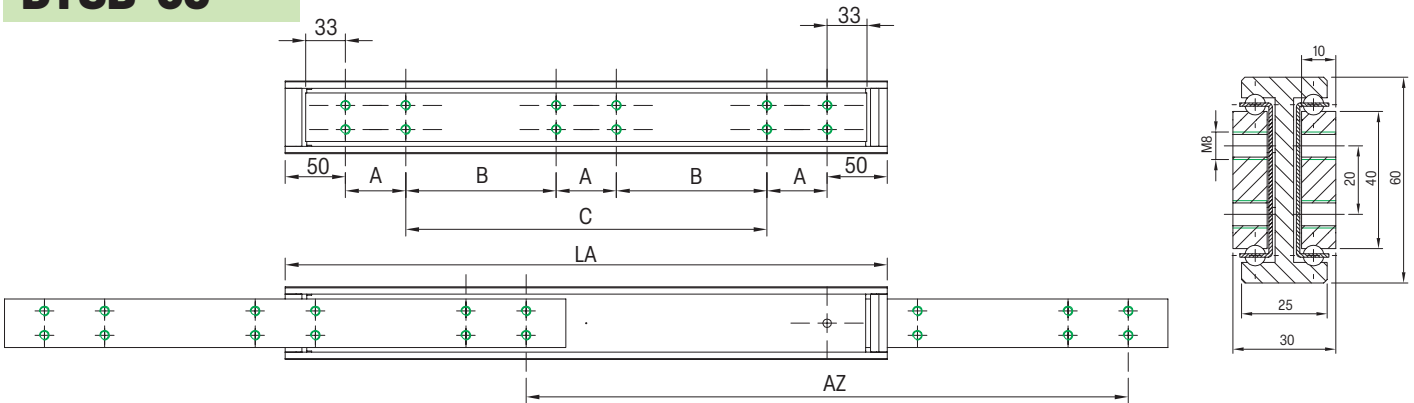
 Hole pattern

Other lengths and versions available on request

DTS-60



DTSB-60



Article no. DTS-60	Article no. DTSB-60	Load in kg 10.000	LA mm	AZ mm	A mm	B mm	C mm	Weight - kg/pcs. DTS-60	Weight - kg/pcs. DTSB-60
07000322001	07000487001	450	200	200	50	-	-	2,12	1,98
07000322002	07000487002	470	250	250	50	-	50	2,65	2,48
07000322003	07000487003	480	300	300	50	-	100	3,18	2,97
07000322004	07000487004	490	350	350	50	-	150	3,71	3,47
07000322005	07000487005	500	400	400	50	-	200	4,24	3,96
07000322006	07000487006	520	450	450	50	-	250	4,77	4,46
07000322007	07000487007	530	500	500	50	-	300	5,30	4,95
07000322008	07000487008	550	550	550	50	-	350	5,83	5,45
07000322009	07000487009	560	600	600	50	-	400	6,36	5,94
07000322010	07000487010	570	650	650	50	200	-	6,89	6,44
07000322011	07000487011	580	700	700	50	225	-	7,42	6,93
07000322012	07000487012	590	750	750	50	250	-	7,95	7,43
07000322013	07000487013	600	800	800	50	275	-	8,48	7,92
07000322014	07000487014	590	850	850	50	300	-	9,01	8,42
07000322015	07000487015	580	900	900	50	325	-	9,54	8,91
07000322016	07000487016	570	950	950	50	350	-	10,07	9,41
07000322017	07000487017	560	1000	1000	50	375	-	10,60	9,90
07000322018	07000487018	540	1050	1050	50	400	-	11,13	10,40
07000322019	07000487019	520	1100	1100	50	425	-	11,66	10,89
...
07000322037	07000487037	180	2000	2000	100	800	-	21,20	19,80

Series DTS-70 | DTSB-70

Load capacity up to 700 kg/Pair

Full extension, Cross section 32,0 x 70,0 mm

Material

Steel (C45E+C)
zinc-plated
milled raceway

DTS-...

Single-sided extendable

DTSB-...

Double-sided extendable

Note:

LA = Length

AZ = Travel

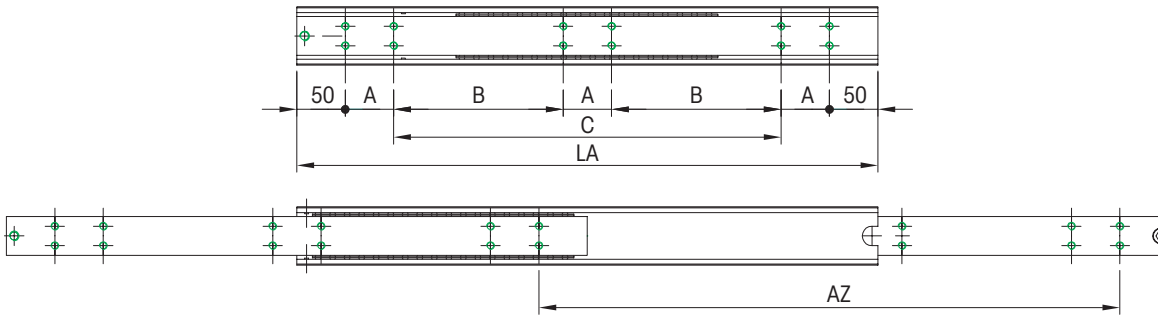
Load = Load capacity

10.000 Cycles

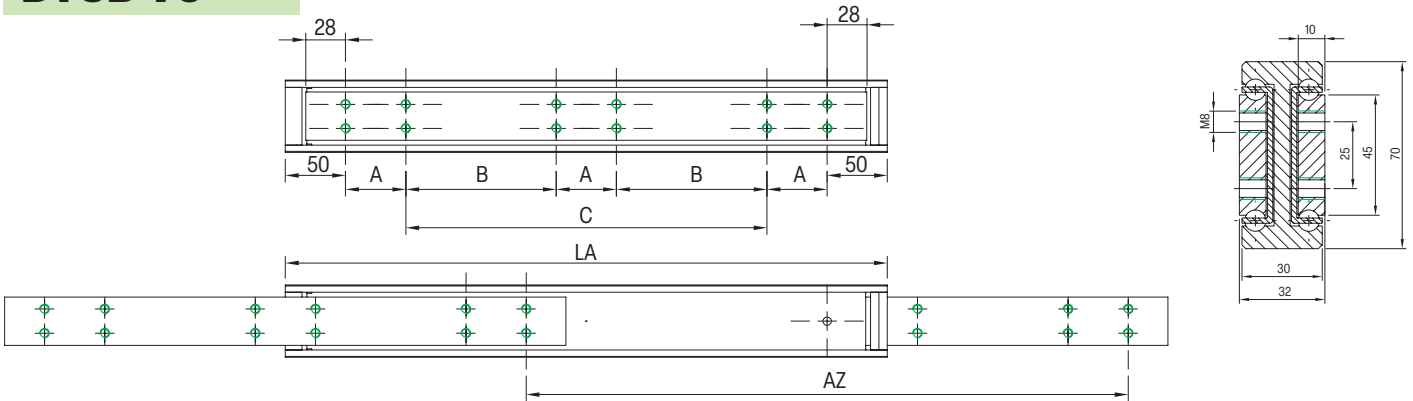
 Hole pattern

Other lengths and versions available on request

DTS-70



DTSB-70



Article no. DTS-70	Article no. DTSB-70	Load in kg 10.000	LA mm	AZ mm	A mm	B mm	C mm	Weight - kg/pcs. DTS-70	Weight - kg/pcs. DTSB-70
07000323001	07000488001	540	200	200	50	-	-	2,74	2,52
07000323002	07000488002	560	250	250	50	-	50	3,43	3,15
07000323003	07000488003	580	300	300	50	-	100	4,11	3,78
07000323004	07000488004	600	350	350	50	-	150	4,80	4,41
07000323005	07000488005	620	400	400	50	-	200	5,48	5,04
07000323006	07000488006	640	450	450	50	-	250	6,17	5,67
07000323007	07000488007	650	500	500	50	-	300	6,85	6,30
07000323008	07000488008	660	550	550	50	-	350	7,54	6,93
07000323009	07000488009	670	600	600	50	-	400	8,22	7,56
07000323010	07000488010	680	650	650	50	200	-	8,91	8,19
07000323011	07000488011	690	700	700	50	225	-	9,59	8,82
07000323012	07000488012	695	750	750	50	250	-	10,28	9,45
07000323013	07000488013	700	800	800	50	275	-	10,96	10,08
07000323014	07000488014	695	850	850	50	300	-	11,65	10,71
07000323015	07000488015	690	900	900	50	325	-	12,33	11,34
07000323016	07000488016	685	950	950	50	350	-	13,02	11,97
07000323017	07000488017	680	1000	1000	50	375	-	13,70	12,60
07000323018	07000488018	660	1050	1050	50	400	-	14,39	13,23
07000323019	07000488019	650	1100	1100	50	425	-	15,07	13,86
...
07000323037	07000488037	220	2000	2000	100	800	-	27,40	25,20

Series DTS-80 | DTSB-80

Load capacity up to 880 kg/Pair

Full extension, Cross section 30,0 x 80,0 mm

Material

Steel (C45E+C)
zinc-plated
milled raceway

DTS-...

Single-sided extendable

DTSB-...

Double-sided extendable

Note:

LA = Length

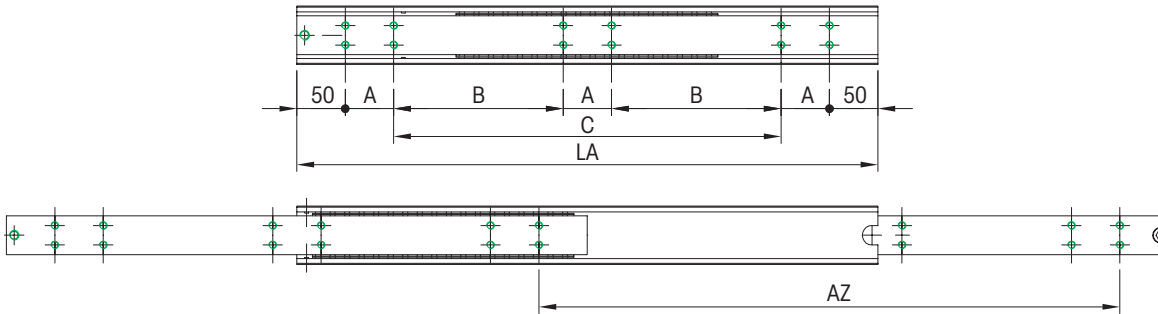
AZ = Travel

Load = Load capacity
10.000 Cycles

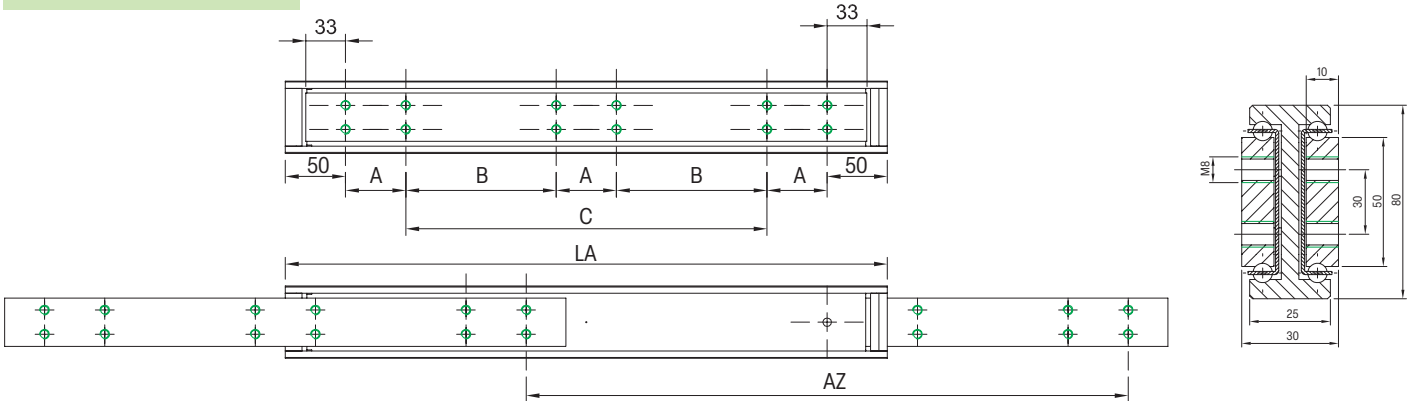
 Hole pattern

Other lengths and versions available on request

DTS-80



DTSB-80



Article no. DTS-80	Article no. DTSB-80	Load in kg 10.000	LA mm	AZ mm	A mm	B mm	C mm	Weight - kg/pcs. DTS-80	Weight - kg/pcs. DTSB-80
07000324001	07000489001	600	200	200	50	-	-	3,06	2,94
07000324002	07000489002	620	250	250	50	-	50	3,83	3,55
07000324003	07000489003	640	300	300	50	-	100	4,59	4,26
07000324004	07000489004	680	350	350	50	-	150	5,35	4,97
07000324005	07000489005	720	400	400	50	-	200	6,12	5,68
07000324006	07000489006	760	450	450	50	-	250	6,89	6,39
07000324007	07000489007	830	500	500	50	-	300	7,65	7,10
07000324008	07000489008	850	550	550	50	-	350	8,42	7,81
07000324009	07000489009	860	600	600	50	-	400	9,18	8,52
07000324010	07000489010	865	650	650	50	200	-	9,95	9,23
07000324011	07000489011	875	700	700	50	225	-	10,71	9,94
07000324012	07000489012	880	750	750	50	250	-	11,48	10,65
07000324013	07000489013	870	800	800	50	275	-	12,24	11,36
07000324014	07000489014	860	850	850	50	300	-	13,01	12,07
07000324015	07000489015	850	900	900	50	325	-	13,77	12,78
07000324016	07000489016	840	950	950	50	350	-	14,54	13,49
07000324017	07000489017	820	1000	1000	50	375	-	15,30	14,20
07000324018	07000489018	800	1050	1050	50	400	-	16,07	14,91
07000324019	07000489019	780	1100	1100	50	425	-	16,83	15,62
...
07000324037	07000489037	250	2000	2000	100	800	-	30,60	28,40

Load capacity up to 1.050 kg/Pair

Full extension, Cross section 36,0 x 90,0 mm

Material

Steel (C45E+C)
zinc-plated
milled raceway

DTS-...

Single-sided extendable

DTSB-...

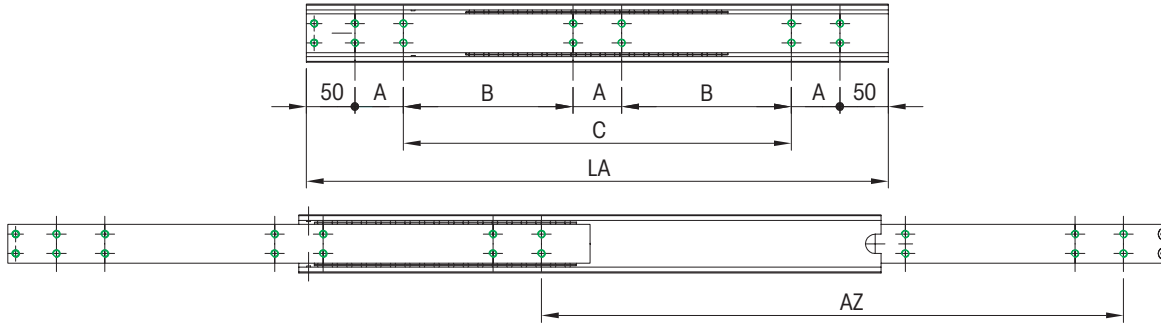
Double-sided extendable

Note:

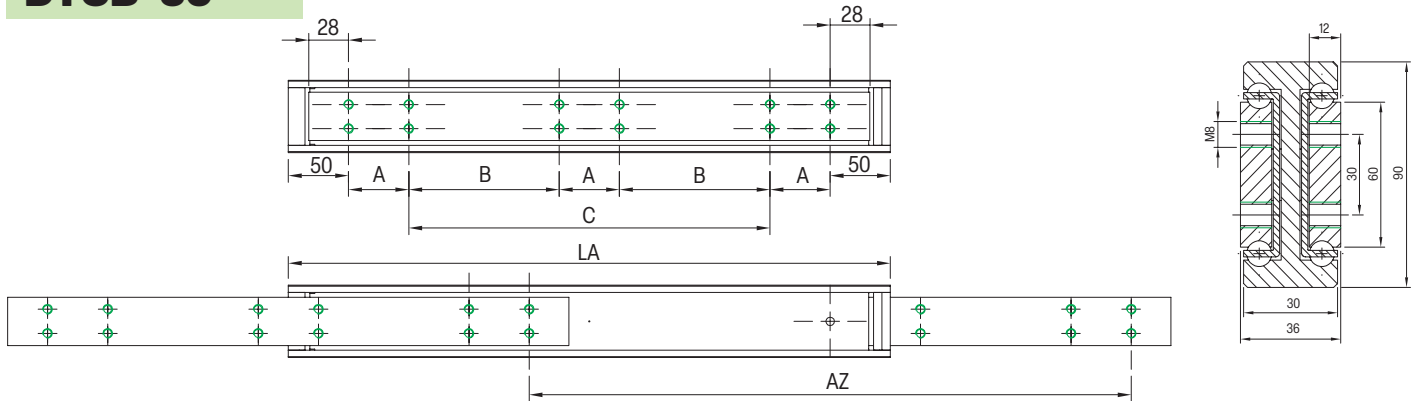
LA = Length
AZ = Travel
Load = Load capacity
10.000 Cycles
Hole pattern

Other lengths and versions available on request

DTS-90



DTSB-90



Article no. DTS-90	Article no. DTSB-90	Load in kg 10.000	LA mm	AZ mm	A mm	B mm	C mm	Weight - kg/pcs. DTS-90	Weight - kg/pcs. DTSB-90
07000325001	07000491001	650	200	200	50	-	-	3,96	3,58
07000325002	07000491002	720	250	250	50	-	50	4,95	4,47
07000325003	07000491003	780	300	300	50	-	100	5,94	5,37
07000325004	07000491004	830	350	350	50	-	150	6,93	6,26
07000325005	07000491005	860	400	400	50	-	200	7,92	7,16
07000325006	07000491006	890	450	450	50	-	250	8,91	8,05
07000325007	07000491007	940	500	500	50	-	300	9,90	8,95
07000325008	07000491008	960	550	550	50	-	350	10,89	9,85
07000325009	07000491009	980	600	600	50	-	400	11,88	10,74
07000325010	07000491010	1000	650	650	50	200	-	12,87	11,63
07000325011	07000491011	1030	700	700	50	225	-	13,86	12,53
07000325012	07000491012	1040	750	750	50	250	-	14,85	13,42
07000325013	07000491013	1050	800	800	50	275	-	15,84	14,32
07000325014	07000491014	1045	850	850	50	300	-	16,83	15,21
07000325015	07000491015	1030	900	900	50	325	-	17,82	16,11
07000325016	07000491016	1015	950	950	50	350	-	18,81	17,00
07000325017	07000491017	995	1000	1000	50	375	-	19,80	17,90
07000325018	07000491018	980	1050	1050	50	400	-	20,79	18,79
07000325019	07000491019	950	1100	1100	50	425	-	21,78	19,69
...
07000325041	07000491047	340	2400	2400	100	1000	-	47,52	44,75

Load capacity up to 1.800 kg/Pair

Full extension, Cross section 44,0 x 110,0 mm

Material

Steel (C45E+C)
zinc-plated
milled raceway


DTS-...

Single-sided extendable

DTSB-...

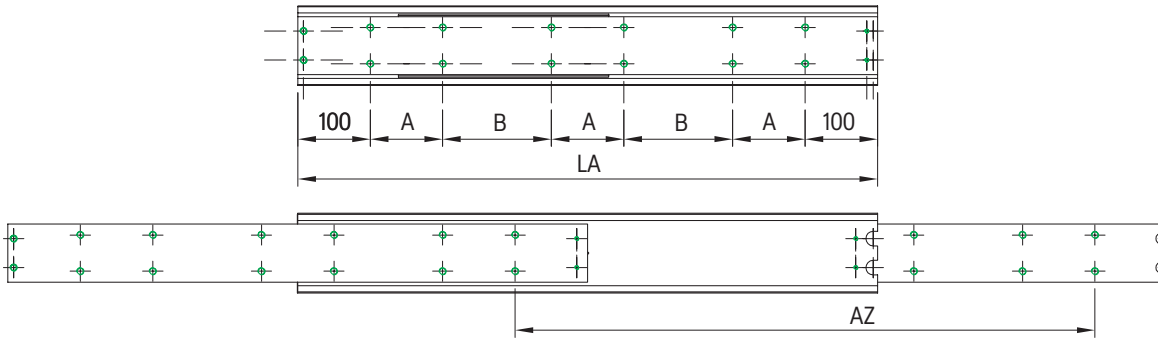
Double-sided extendable

Note:

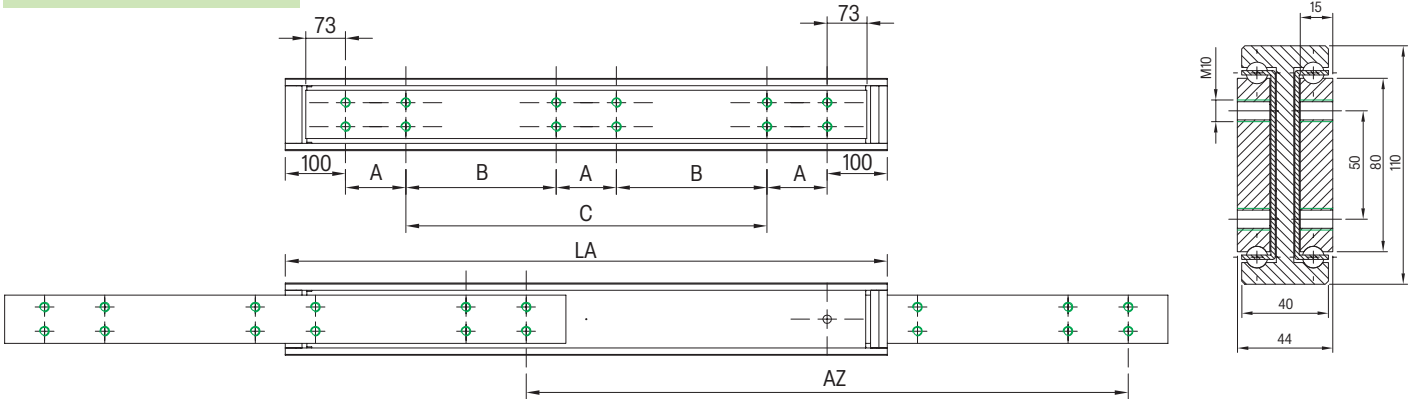
LA = Length
AZ = Travel
Load = Load capacity
10.000 Cycles
 Hole pattern

Other lengths and versions available on request

DTS-110



DTSB-110



Article no. DTS-110	Article no. DTSB-110	Load in kg 10.000	LA mm	AZ mm	A mm	B mm	C mm	Weight - kg/pcs. DTS-110	Weight - kg/pcs. DTSB-110
07000942001	07000492001	1430	300	300	100	-	-	9,48	8,31
07000942002	07000492002	1485	350	350	50	-	50	11,06	9,69
07000942003	07000492003	1540	400	400	50	-	100	12,64	11,08
07000942004	07000492004	1600	450	450	50	-	150	14,22	12,46
07000942005	07000492005	1650	500	500	50	-	200	15,80	13,85
07000942006	07000492006	1700	550	550	50	-	250	17,38	15,24
07000942007	07000492007	1740	600	600	50	-	300	18,96	16,62
07000942008	07000492008	1780	650	650	50	150	-	20,54	18,00
07000942009	07000492009	1800	700	700	50	175	-	22,12	19,39
07000942010	07000492010	1780	750	750	50	200	-	23,70	20,77
07000942011	07000492011	1760	800	800	100	150	-	25,28	22,16
07000942012	07000492012	1730	850	850	100	175	-	26,86	23,54
07000942013	07000492013	1690	900	900	100	200	-	28,44	24,93
07000942014	07000492014	1660	950	950	100	225	-	30,02	26,31
07000942015	07000492015	1630	1000	1000	100	250	-	31,60	27,70
07000942016	07000492016	1600	1050	1050	100	275	-	33,18	29,09
07000942017	07000492017	1560	1100	1100	100	300	-	34,76	30,47
07000942018	07000492018	1530	1150	1150	100	325	-	36,34	31,85
07000942019	07000492019	1500	1200	1200	100	350	-	37,92	33,24
...
07000942027	07000492027	1200	1600	1600	100	550	-	50,56	44,32

Load capacity up to 1.890 kg/Pair

Full extension, Cross section 44,0 x 120,0 mm

Material

Steel (C45E+C)
zinc-plated
milled raceway

DTS-...

Single-sided extendable

DTSB-...

Double-sided extendable

Note:

LA = Length

AZ = Travel

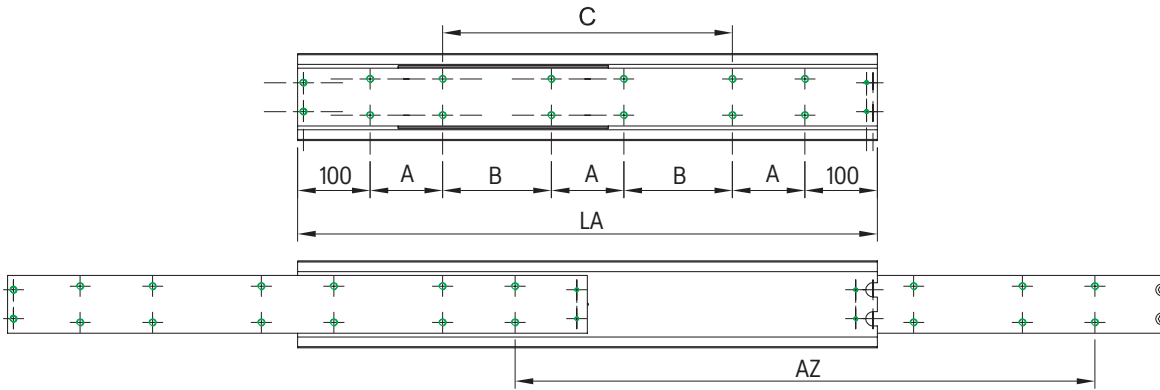
Load = Load capacity

10.000 Cycles

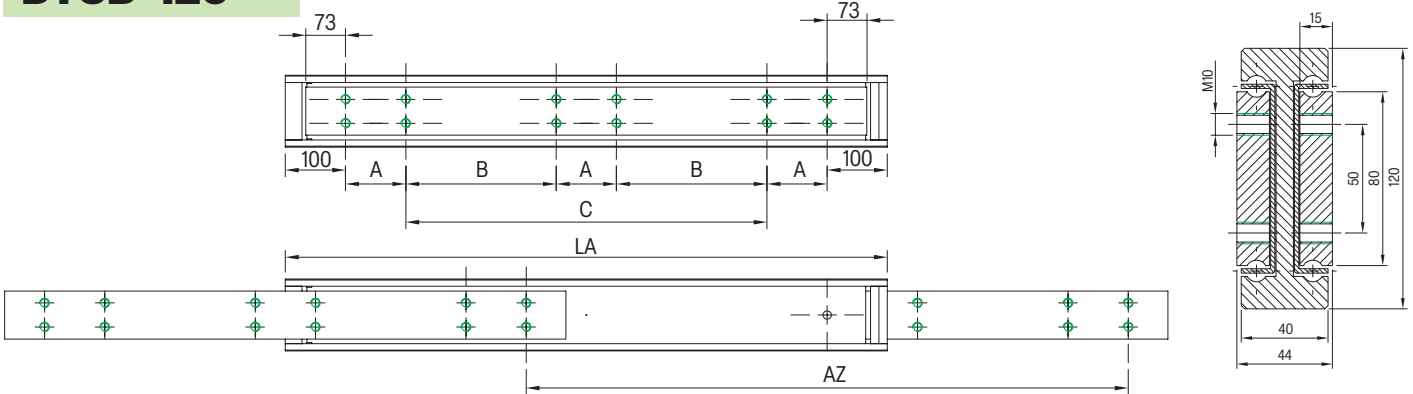
 Hole pattern

Other lengths and versions available on request

DTS-120



DTSB-120



Article no. DTS-120	Article no. DTSB-120	Load in kg 10.000	LA mm	AZ mm	A mm	B mm	C mm	Weight - kg/pcs. DTS-120	Weight - kg/pcs. DTSB-120
07000326001	07000493001	1480	300	300	50	-	-	10,35	9,23
07000326002	07000493002	1560	350	350	50	-	50	12,09	10,77
07000326003	07000493003	1640	400	400	50	-	100	13,83	12,31
07000326004	07000493004	1720	450	450	50	-	150	15,57	13,95
07000326005	07000493005	1760	500	500	50	-	200	17,31	15,38
07000326006	07000493006	1820	550	550	50	-	250	19,05	16,92
07000326007	07000493007	1850	600	600	50	-	300	20,79	18,46
07000326008	07000493008	1870	650	650	50	150	-	22,53	20,0
07000326009	07000493009	1890	700	700	50	175	-	24,27	21,54
07000326010	07000493010	1860	750	750	50	200	-	26,01	23,08
07000326011	07000493011	1840	800	800	100	150	-	27,75	24,62
07000326012	07000493012	1820	850	850	100	175	-	29,49	26,15
07000326013	07000493013	1790	900	900	100	200	-	31,23	27,69
07000326014	07000493014	1760	950	950	100	225	-	32,97	29,23
07000326015	07000493015	1730	1000	1000	100	250	-	34,71	30,77
07000326016	07000493016	1700	1050	1050	100	275	-	36,45	32,31
07000326017	07000493017	1660	1100	1100	100	300	-	38,18	33,85
07000326018	07000493018	1630	1150	1150	100	325	-	39,92	35,39
07000326019	07000493019	1600	1200	1200	100	350	-	41,65	36,92
...
07000326055	07000493055	260	3000	3000	100	1250	-	104,10	92,31

Series DTS-150

Load capacity up to 2.410 kg/Pair

Full extension, Cross section 55,0 x 150,0 mm

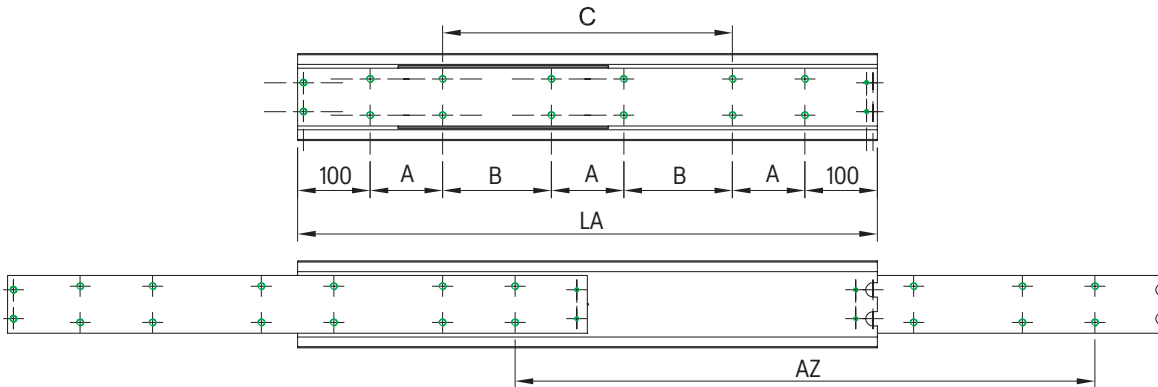
Material

Steel (C45E+C)
zinc-plated
milled raceway

DTS-...

Single-sided extendable

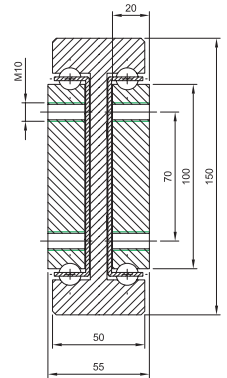
DTS-150



Note:

LA = Length
AZ = Travel
Load = Load capacity
10.000 Cycles
○ Hole pattern

Other lengths and versions available on request



Article no. DTS-150	Load in kg 10.000	LA mm	AZ mm	A mm	B mm	C mm	Weight - kg/pcs. DTS-150
07000327001	1720	300	300	50	-	-	16,11
07000327002	1790	350	350	50	-	50	18,79
07000327003	1860	400	400	50	-	100	21,48
07000327004	1930	450	450	50	-	150	24,17
07000327005	2020	500	500	50	-	200	26,85
07000327006	2100	550	550	50	-	250	29,54
07000327007	2180	600	600	50	-	300	32,22
07000327008	2250	650	650	50	150	-	34,91
07000327009	2300	700	700	50	175	-	37,59
07000327010	2340	750	750	50	200	-	40,28
07000327011	2380	800	800	100	150	-	42,96
07000327012	2410	850	850	100	175	-	45,65
07000327013	2370	900	900	100	200	-	48,33
07000327014	2330	950	950	100	225	-	51,02
07000327015	2300	1000	1000	100	250	-	53,7
07000327016	2270	1050	1050	100	275	-	56,39
07000327017	2240	1100	1100	100	300	-	59,07
07000327018	2210	1150	1150	100	325	-	61,75
07000237019	2180	1200	1200	100	350	-	64,44
...
07000327055	380	3000	3000	100	1250	-	161,10

Series STR-60

Load capacity up to 260 kg/Pair

Full extension, Cross section 14,0 x 60,0 mm

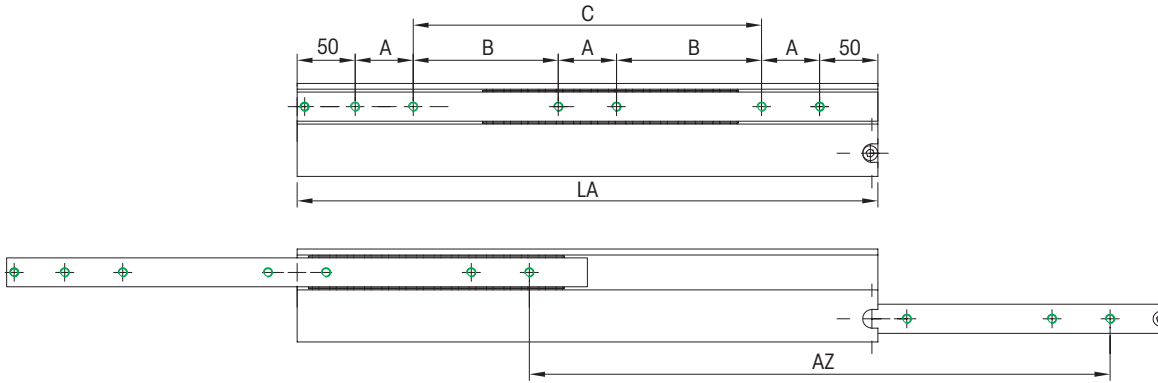
Material

Steel (C45E+C)
zinc-plated
milled raceway

STR-...

Single-sided extendable

STR-60



Note:

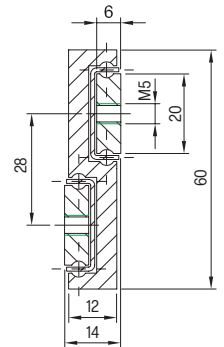
LA = Length

AZ = Travel

Load = Load capacity
10.000 Cycles

○ Hole pattern

Other lengths and versions available on request



Article no. STR-60	Load in kg 10.000	LA mm	AZ mm	A mm	B mm	C mm	Weight - kg/pcs. STR-60
07000353001	130	200	200	50	-	-	1,02
07000353002	150	250	250	50	-	50	1,28
07000353003	180	300	300	50	-	100	1,53
07000353004	220	350	350	50	-	150	1,79
07000353005	240	400	400	50	-	200	2,04
07000353006	250	450	450	50	-	250	2,30
07000353007	260	500	500	50	-	300	2,55
07000353008	255	550	550	50	150	350	2,81
07000353009	230	600	600	50	175	400	3,06
07000353010	200	650	650	50	200	-	3,32
07000353011	160	700	700	50	225	-	3,57
07000353012	130	750	750	50	250	-	3,83
07000353013	100	800	800	50	275	-	4,08
07000353014	90	850	850	50	300	-	4,34
07000353015	80	900	900	50	325	-	4,59
07000353016	70	950	950	50	350	-	4,85
07000353017	60	1000	1000	50	375	-	5,10
07000353018	50	1050	1050	50	400	-	5,36
07000353019	40	1100	1100	50	425	-	5,61
07000353020	30	1150	1150	50	450	-	5,87
07000353021	20	1200	1200	50	475	-	6,12

Series STR-80

Load capacity up to 300 kg/Pair

Full extension, Cross section 17,0 x 80,0 mm

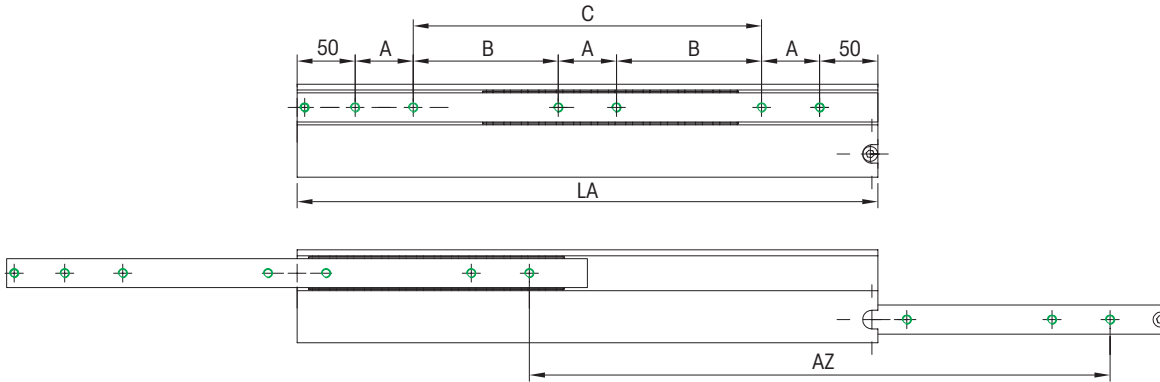
Material

Steel (C45E+C)
zinc-plated
milled raceway

STR-...

Single-sided extendable

STR-80



Note:

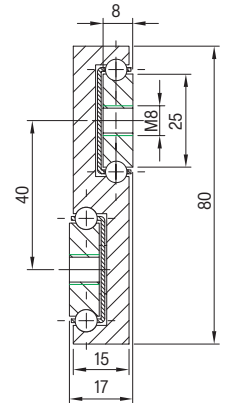
LA = Length

AZ = Travel

Load = Load capacity
10.000 Cycles

 Hole pattern

Other lengths and versions available on request



Article no. STR-80	Load in kg 10.000	LA mm	AZ mm	A mm	B mm	C mm	Weight - kg/pcs. STR-80
07000354001	170	200	200	50	-	-	1,64
07000354002	190	250	250	50	-	50	2,05
07000354003	220	300	300	50	-	100	2,46
07000354004	240	350	350	50	-	150	2,87
07000354005	260	400	400	50	-	200	3,28
07000354006	280	450	450	50	-	250	3,69
07000354007	290	500	500	50	-	300	4,10
07000354008	300	550	550	50	150	-	4,51
07000354009	285	600	600	50	175	-	4,92
07000354010	270	650	650	50	200	-	5,33
07000354011	260	700	700	50	225	-	5,74
07000354012	250	750	750	50	250	-	6,15
07000354013	240	800	800	50	275	-	6,56
07000354014	230	850	850	50	300	-	6,97
07000354015	220	900	900	50	325	-	7,38
07000354016	210	950	950	50	350	-	7,79
07000354017	200	1000	1000	50	375	-	8,20
07000354018	190	1050	1050	50	400	-	8,61
07000354019	180	1100	1100	50	425	-	9,02
...
07000354029	60	1600	1600	50	675	-	13,12

Series STR-100

Load capacity up to 435 kg/Pair

Full extension, Cross section 22,0 x 100,0 mm

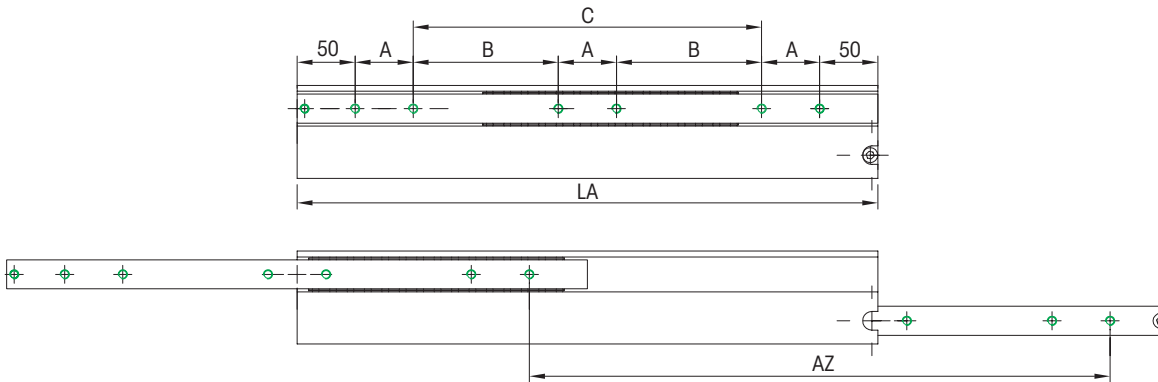
Material

Steel (C45E+C)
zinc-plated
milled raceway

STR-...

Single-sided extendable

STR-100



Note:

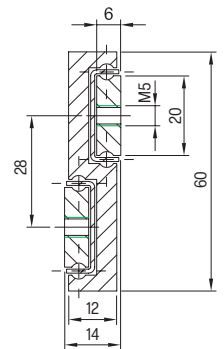
LA = Length

AZ = Travel

Load = Load capacity
10.000 Cycles

○ Hole pattern

Other lengths and versions available on request



Article no. STR-100	Load in kg 10.000	LA mm	AZ mm	A mm	B mm	C mm	Weight - kg/pcs. STR-100
07000355001	250	200	200	50	-	-	2,62
07000355002	280	250	250	50	-	50	3,28
07000355003	320	300	300	50	-	100	3,93
07000355004	360	350	350	50	-	150	4,59
07000355005	390	400	400	50	-	200	5,24
07000355006	410	450	450	50	-	250	5,90
07000355007	425	500	500	50	-	300	6,55
07000355008	435	550	550	50	150	-	7,21
07000355009	420	600	600	50	175	-	7,86
07000355010	410	650	650	50	200	-	8,52
07000355011	400	700	700	50	225	-	9,17
07000355012	380	750	750	50	250	-	9,83
07000355013	360	800	800	50	275	-	10,48
07000355014	340	850	850	50	300	-	11,14
07000355015	320	900	900	50	325	-	11,79
07000355016	300	950	950	50	350	-	12,45
07000355017	285	1000	1000	50	375	-	13,10
07000355018	270	1050	1050	50	400	-	13,76
07000355019	265	1100	1100	50	425	-	14,41
...
07000355037	50	2000	2000	100	800	-	26,20

Series DOWS-100

Load capacity up to 1.380 kg/Pair

Full extension, Cross section 48,0 x 100,0 mm

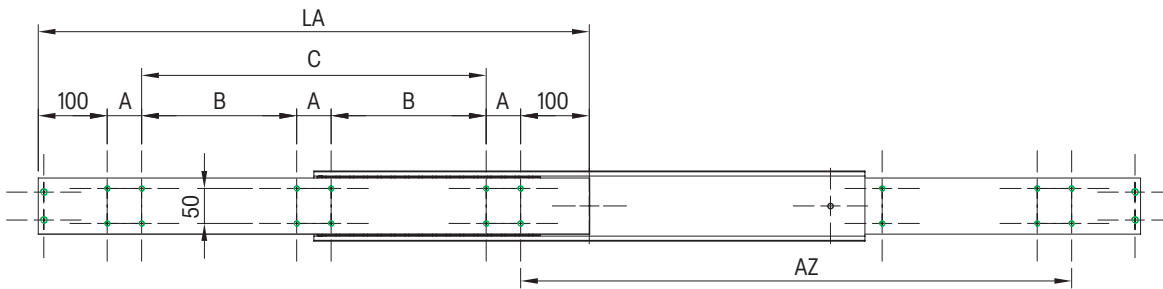
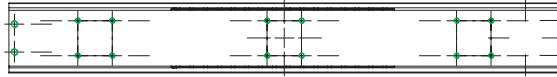
Material

Steel (C45E+C)
zinc-plated
milled raceway

DOWS-...

Single-sided extendable

DOWS-100



Note:

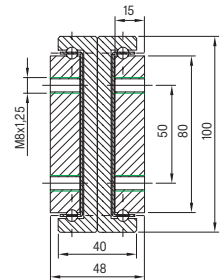
LA = Length

AZ = Travel

Load = Load capacity
10.000 Cycles

Hole pattern

Other lengths and versions available on request



Article no. DOWS-100	Load in kg 10.000	LA mm	AZ mm	A mm	B mm	C mm	Weight - kg/pcs. DOWS-100
07000484001	1000	300	300	50	-	-	9,66
07000484002	1030	350	350	50	-	50	11,27
07000484003	1070	400	400	50	-	100	12,88
07000484004	1130	450	450	50	-	150	14,49
07000484005	1180	500	500	50	-	200	16,10
07000484006	1230	550	550	50	-	250	17,71
07000484007	1290	600	600	50	-	300	19,32
07000484008	1310	650	650	50	150	-	20,93
07000484009	1340	700	700	50	175	-	22,54
07000484010	1360	750	750	50	200	-	24,15
07000484011	1380	800	800	100	150	-	25,76
07000484012	1365	850	850	100	175	-	27,37
07000484013	1350	900	900	100	200	-	28,98
07000484014	1330	950	950	100	225	-	30,59
07000484015	1300	1000	1000	100	250	-	32,20
07000484016	1270	1050	1050	100	275	-	33,81
07000484017	1240	1100	1100	100	300	-	35,42
07000484018	1220	1150	1150	100	325	-	37,03
07000484019	1180	1200	1200	100	350	-	38,64
...
07000484035	800	2000	2000	100	750	-	64,40

Series QSRT-60

Load capacity up to 230 kg/Pair

Over extension, Cross section 33,0 x 60,0 mm

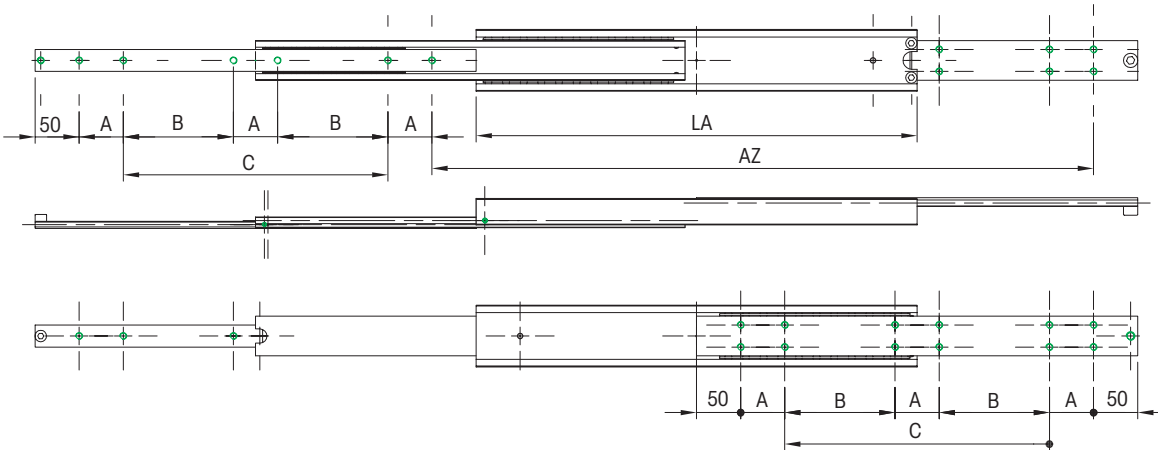
Material

Steel (C45E+C)
zinc-plated
milled raceway

QSRT-...

Single-sided extendable

QSRT-60



Note:

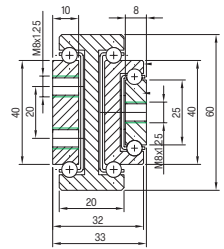
LA = Length

AZ = Travel

Load = Load capacity
10.000 Cycles

Hole pattern

Other lengths and versions available on request



Article no. QSRT-60	Load in kg 10.000	LA mm	AZ mm	A mm	B mm	C mm	Weight - kg/pcs. QSRT-60
07000344003	180	300	450	50	-	-	3,67
07000344004	190	350	525	50	-	50	4,29
07000344005	200	400	600	50	-	100	4,90
07000344006	210	450	675	50	-	150	5,51
07000344007	220	500	750	50	-	200	6,12
07000344008	225	550	825	50	-	250	6,74
07000344009	230	600	900	50	-	300	7,35
07000344010	210	650	975	50	150	-	7,96
07000344011	190	700	1050	50	175	-	8,57
07000344012	170	750	1125	50	200	-	9,19
07000344013	160	800	1200	50	225	-	9,80
07000344014	150	850	1275	50	250	-	10,41
07000344015	140	900	1350	50	275	-	11,03
07000344016	135	950	1425	50	300	-	11,64
07000344017	130	1000	1500	50	325	-	12,25
07000344018	125	1050	1575	50	350	-	12,86
07000344019	120	1100	1650	50	375	-	13,48
07000344020	125	1050	1575	50	400	-	12,86
07000344021	120	1100	1650	50	425	-	13,48
...
07000344029	70	1600	2400	50	675	-	19,60

Series QSRT-70

Load capacity up to 310 kg/Pair

Over extension, Cross section 35,0 x 70,0 mm

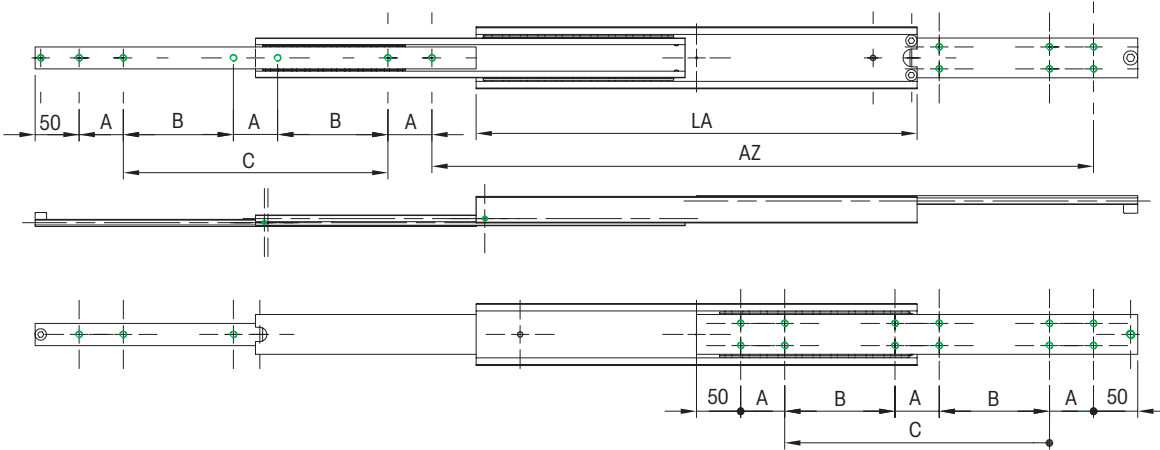
Material

Steel (C45E+C)
zinc-plated
milled raceway

QSRT-...

Single-sided extendable

QSRT-70



Note:

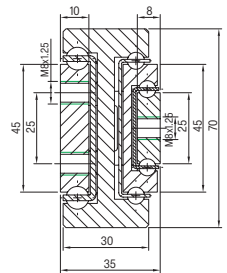
LA = Length

AZ = Travel

Load = Load capacity
10.000 Cycles

Hole pattern

Other lengths and versions available on request



Article no. QSRT-70	Load in kg 10.000	LA mm	AZ mm	A mm	B mm	C mm	Weight - kg/pcs. QSRT-70
07000345001	260	300	450	50	-	100	4,17
07000345002	270	350	525	50	-	150	4,87
07000345003	280	400	600	50	-	200	5,56
07000345004	285	450	675	50	-	250	6,26
07000345005	295	500	750	50	-	300	6,95
07000345006	305	550	825	50	150	-	7,65
07000345007	310	600	900	50	175	-	8,34
07000345008	300	650	975	50	200	-	9,04
07000345009	290	700	1050	50	225	-	9,73
07000345010	280	750	1125	50	250	-	10,43
07000345011	270	800	1200	50	275	-	11,12
07000345012	260	850	1275	50	300	-	11,82
07000345013	250	900	1350	50	325	-	12,51
07000345014	240	950	1425	50	350	-	13,21
07000345015	230	1000	1500	50	375	-	13,90
07000345016	210	1050	1575	50	400	-	14,60
07000345017	200	1100	1650	50	425	-	15,29
07000345018	190	1150	1725	50	450	-	15,99
07000345019	180	1200	1800	50	475	-	16,68
...
07000345027	100	1600	2400	50	675	-	22,24

Series QSRT-90

Load capacity up to 470 kg/Pair

Over extension, Cross section 41,0 x 90,0 mm

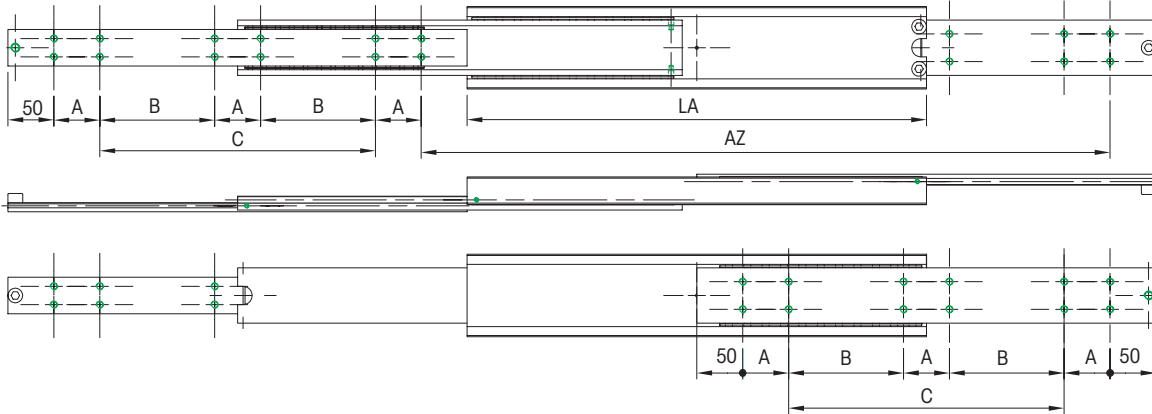
Material

Steel (C45E+C)
zinc-plated
milled raceway

QSRT-...

Single-sided extendable

QSRT-90



Note:

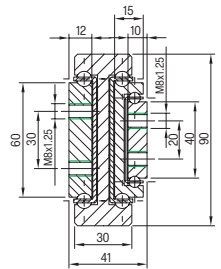
LA = Length

AZ = Travel

Load = Load capacity
10.000 Cycles

 Hole pattern

Other lengths and versions available on request



Article no. QSRT-90	Load in kg 10.000	LA mm	AZ mm	A mm	B mm	C mm	Weight - kg/pcs. QSRT-90
07000346001	360	300	450	50	-	100	6,27
07000346002	380	350	525	50	-	150	7,32
07000346003	400	400	600	50	-	200	8,36
07000346004	420	450	675	50	-	250	9,41
07000346005	430	500	750	50	-	300	10,45
07000346006	440	550	825	50	150	-	11,50
07000346007	455	600	900	50	175	-	12,54
07000346008	470	650	975	50	200	-	13,59
07000346009	460	700	1050	50	225	-	14,63
07000346010	450	750	1125	50	250	-	15,68
07000346011	440	800	1200	50	275	-	16,72
07000346012	430	850	1275	50	300	-	17,77
07000346013	420	900	1350	50	325	-	18,81
07000346014	400	950	1425	50	350	-	19,86
07000346015	380	1000	1500	50	375	-	20,90
07000346016	360	1050	1575	50	400	-	21,95
07000346017	340	1100	1650	50	425	-	22,99
07000346018	330	1150	1725	50	450	-	24,04
07000346019	315	1200	1800	50	475	-	25,08
...
07000346035	140	2000	3000	100	800	-	41,80

Series QSRT-120

Load capacity up to 680 kg/Pair

Over extension, Cross section 52,0 x 120,0 mm

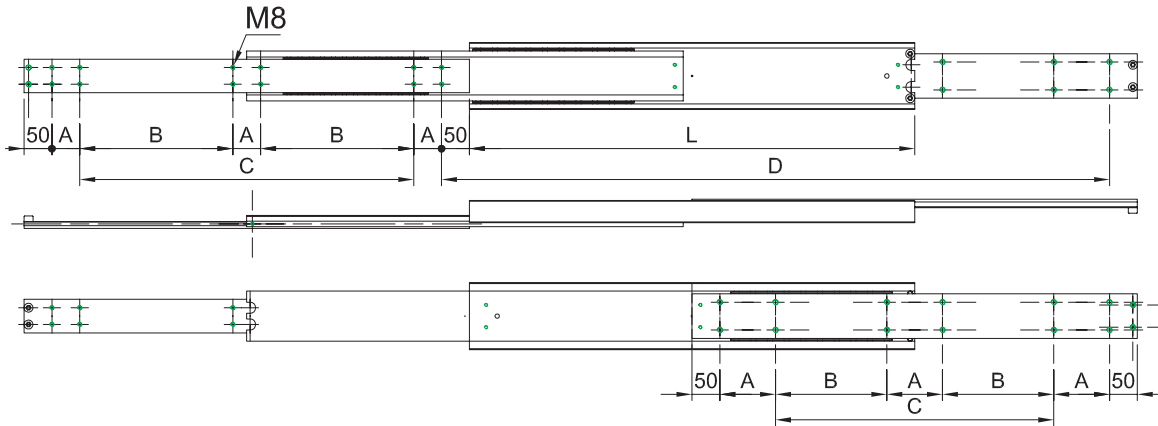
Material

Steel (C45E+C)
zinc-plated
milled raceway

QSRT-...

Single-sided extendable

QSRT-120



Note:

LA = Length

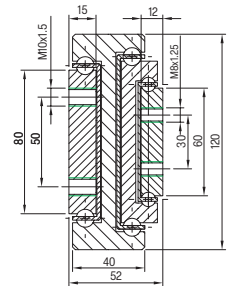
AZ = Travel

Load = Load capacity

10.000 Cycles

 Hole pattern

Other lengths and versions available on request



Article no. QSRT-120	Load in kg 10.000	LA mm	AZ mm	A mm	B mm	C mm	Weight - kg/pcs. QSRT-120
07000347001	540	300	450	50	-	100	11,01
07000347002	560	350	525	50	-	150	12,85
07000347003	580	400	600	50	-	200	14,68
07000347004	600	450	675	50	-	250	16,52
07000347005	620	500	750	50	-	300	18,35
07000347006	640	550	825	50	150	-	20,19
07000347007	650	600	900	50	175	-	22,02
07000347008	660	650	975	50	200	-	23,86
07000347009	670	700	1050	50	225	-	25,69
07000347010	680	750	1125	50	250	-	27,53
07000347011	670	800	1200	50	275	-	29,36
07000347012	660	850	1275	50	300	-	31,20
07000347013	650	900	1350	50	325	-	33,03
07000347014	640	950	1425	50	350	-	34,87
07000347015	630	1000	1500	50	375	-	36,70
07000347016	620	1050	1575	50	400	-	38,54
07000347017	600	1100	1650	50	425	-	40,37
07000347018	580	1150	1725	50	450	-	42,21
07000347019	560	1200	1800	50	475	-	44,04
...
07000347035	200	2000	3000	50	800	-	73,40

Series DDTS-45

Load capacity up to 80 kg/Pair

Over extension, Cross section 26,0 x 40,0 mm

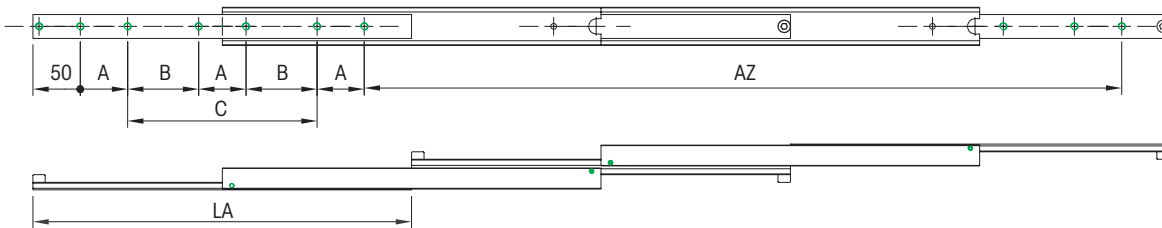
Material

Steel (C45E+C)
zinc-plated
milled raceway

DDTS-...

Single-sided extendable

DDTS-45



Note:

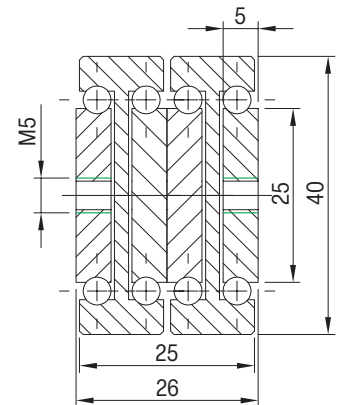
LA = Length

AZ = Travel

Load = Load capacity
10.000 Cycles

Hole pattern

Other lengths and versions available on request



Article no. DDTS-45	Load in kg 10.000	LA mm	AZ mm	A mm	B mm	C mm	Weight - kg/pcs. DDTS-45
07000476001	60	150	300	50	-	-	0,98
07000476002	65	200	400	50	-	-	1,30
07000476003	70	250	500	50	-	50	1,63
07000476004	75	300	600	50	-	100	1,95
07000476005	80	350	700	50	-	150	2,28
07000476006	75	400	800	50	-	200	2,60
07000476007	70	450	900	50	-	250	2,93
07000476008	65	500	1000	50	-	300	3,25
07000476009	60	550	1100	50	150	-	3,58
07000476010	55	600	1200	50	175	-	3,90
07000476011	50	650	1300	50	200	-	4,23
07000476012	45	700	1400	50	225	-	4,55
07000476013	40	750	1500	50	250	-	4,88
07000476014	35	800	1600	50	275	-	5,20
07000476015	30	850	1700	50	300	-	5,53
07000476016	25	900	1800	50	325	-	5,85
07000476017	20	950	1900	50	350	-	6,18
07000476018	15	1000	2000	50	375	-	6,50

Series DDTS-48

Load capacity up to 90 kg/Pair

Over extension, Cross section 34,0 x 40,0 mm

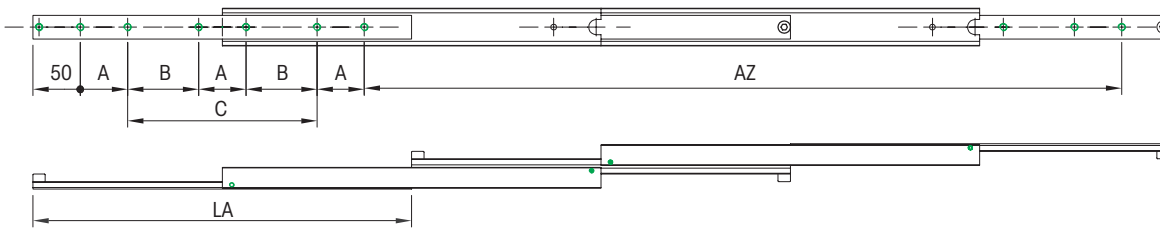
Material

Steel (C45E+C)
zinc-plated
milled raceway

DDTS-...

Single-sided extendable

DDTS-48



Note:

LA = Length

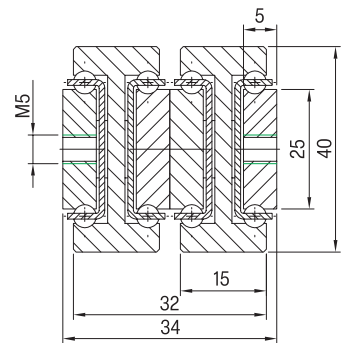
AZ = Travel

Load = Load capacity

10.000 Cycles

Hole pattern

Other lengths and versions available on request



Article no. DDTS-48	Load in kg 10.000	LA mm	AZ mm	A mm	B mm	C mm	Weight - kg/pcs. DDTS-48
07000477001	70	150	300	50	-	-	1,19
07000477002	75	200	400	50	-	-	1,59
07000477003	80	250	500	50	-	50	1,98
07000476004	85	300	600	50	-	100	2,38
07000477005	90	350	700	50	-	150	2,78
07000477006	85	400	800	50	-	200	3,17
07000477007	80	450	900	50	-	250	3,57
07000477008	75	500	1000	50	-	300	3,97
07000477009	70	550	1100	50	150	-	4,36
07000477010	65	600	1200	50	175	-	4,76
07000477011	60	650	1300	50	200	-	5,15
07000477012	55	700	1400	50	225	-	5,55
07000477013	50	750	1500	50	250	-	5,95
07000477014	45	800	1600	50	275	-	6,34
07000477015	40	850	1700	50	300	-	6,74
07000477016	35	900	1800	50	325	-	7,14
07000477017	30	950	1900	50	350	-	7,53
07000477018	20	1000	2000	50	375	-	7,93

Series DDTS-35

Load capacity up to 100 kg/Pair

Over extension, Cross section 36,0 x 35,0 mm

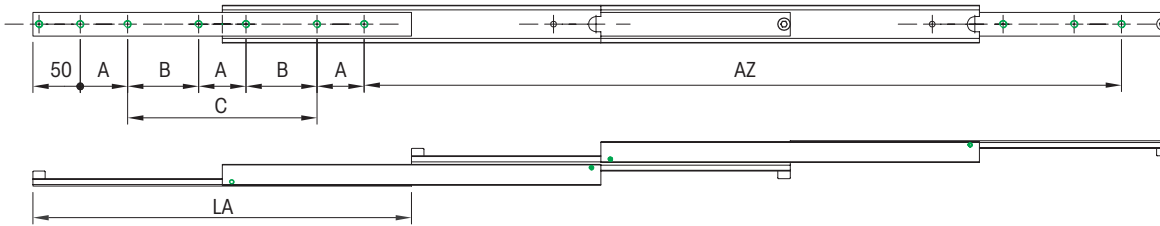
Material

Steel (C45E+C)
zinc-plated
milled raceway

DDTS-...

Single-sided extendable

DDTS-35



Note:

LA = Length

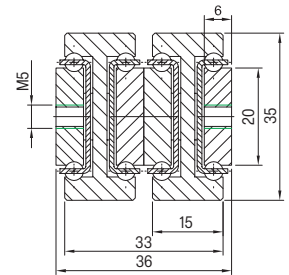
AZ = Travel

Load = Load capacity

10.000 Cycles

 Hole pattern

Other lengths and versions available on request



Article no. DDTS-35	Load in kg 10.000	LA mm	AZ mm	A mm	B mm	C mm	Weight - kg/pcs. DDTS-35
07000474001	60	150	300	50	-	-	2,67
07000474002	70	200	400	50	-	-	3,56
07000474003	80	250	500	50	-	50	4,45
07000474004	90	300	600	50	-	100	5,34
07000474005	100	350	700	50	-	150	6,23
07000474006	90	400	800	50	-	200	7,12
07000474007	80	450	900	50	-	250	8,01
07000474008	70	500	1000	50	-	300	8,90
07000474009	65	550	1100	50	150	-	9,79
07000474010	60	600	1200	50	175	-	10,68
07000474011	55	650	1300	50	200	-	11,57
07000474012	50	700	1400	50	225	-	12,46
07000474013	45	750	1500	50	250	-	13,35
07000474014	40	800	1600	50	275	-	14,24
07000474015	35	850	1700	50	300	-	15,13
07000474016	30	900	1800	50	325	-	16,02
07000474017	25	950	1900	50	350	-	16,91
07000474018	20	1000	2000	50	375	-	17,80

Series DDTS-40

Load capacity up to 160 kg/Pair

Over extension, Cross section 48,0 x 40,0 mm

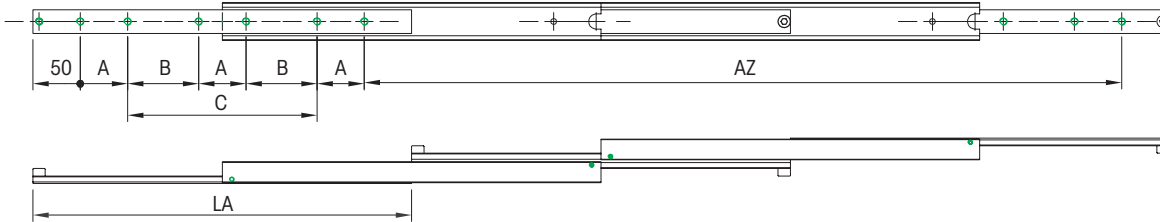
Material

Steel (C45E+C)
zinc-plated
milled raceway

DDTS-...

Single-sided extendable

DDTS-40



Note:

LA = Length

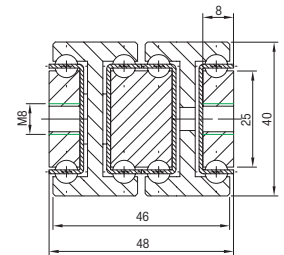
AZ = Travel

Load = Load capacity

10.000 Cycles

Hole pattern

Other lengths and versions available on request



Article no. DDTS-40	Load in kg 10.000	LA mm	AZ mm	A mm	B mm	C mm	Weight - kg/pcs. DDTS-40
07000475001	130	200	400	50	-	-	2,26
07000475002	138	250	500	50	-	50	2,83
07000475003	145	300	600	50	-	100	3,39
07000475004	152	350	700	50	-	150	3,96
07000475005	160	400	800	50	-	200	4,52
07000475006	155	450	900	50	-	250	5,09
07000475007	150	500	1000	50	-	300	5,65
07000475008	145	550	1100	50	150	-	6,22
07000475009	140	600	1200	50	175	-	6,78
07000475010	135	650	1300	50	200	-	7,35
07000475011	130	700	1400	50	225	-	7,91
07000475012	125	750	1500	50	250	-	8,48
07000475013	120	800	1600	50	275	-	9,04
07000475014	115	850	1700	50	300	-	9,61
07000475015	110	900	1800	50	325	-	10,17
07000475016	105	950	1900	50	350	-	10,74
07000475017	100	1000	2000	50	375	-	11,30
07000475018	95	1050	2100	50	400	-	11,87
07000475019	90	1100	2200	50	425	-	12,43
07000475020	85	1150	2300	50	450	-	13,00
07000475021	80	1200	2400	50	475	-	13,56

Series DDTS-50

Load capacity up to 240 kg/Pair

Over extension, Cross section 60,0 x 50,0 mm

Material

Steel (C45E+C)
zinc-plated
milled raceway

DDTS-...


Single-sided extendable

Note:

LA = Length

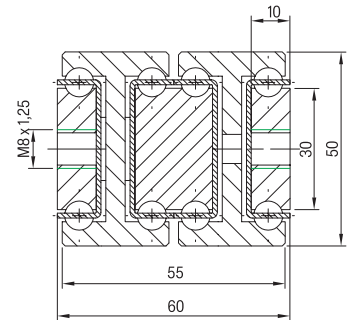
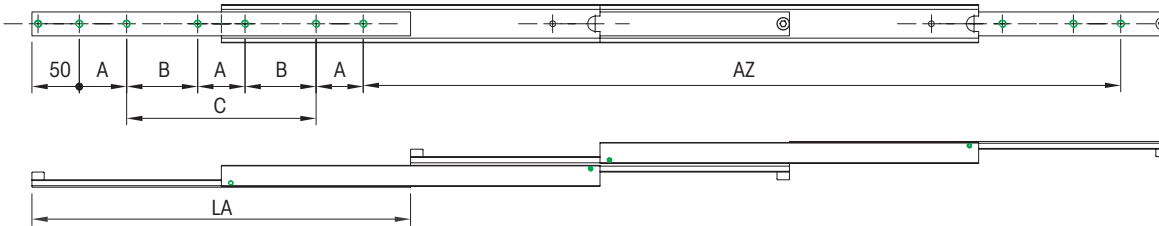
AZ = Travel

Load = Load capacity
10.000 Cycles

 Hole pattern

Other lengths and versions available on request

DDTS-50



Article no. DDTS-50	Load in kg 10.000	LA mm	AZ mm	A mm	B mm	C mm	Weight - kg/pcs. DDTS-50
07000478001	190	200	400	50	-	-	3,56
07000478002	195	250	500	50	-	50	4,45
07000478003	200	300	600	50	-	100	5,34
07000478004	210	350	700	50	-	150	6,23
07000478005	220	400	800	50	-	200	7,12
07000478006	225	450	900	50	-	250	8,01
07000478007	230	500	1000	50	-	300	8,90
07000478008	235	550	1100	50	150	-	9,79
07000478009	240	600	1200	50	175	-	10,68
07000478010	232	650	1300	50	200	-	11,57
07000478011	225	700	1400	50	225	-	12,46
07000478012	218	750	1500	50	250	-	13,35
07000478013	210	800	1600	50	275	-	14,24
07000478014	195	850	1700	50	300	-	15,13
07000478015	182	900	1800	50	325	-	16,02
07000478016	172	950	1900	50	350	-	16,91
07000478017	160	1000	2000	50	375	-	17,80
07000478018	155	1050	2100	50	400	-	18,69
07000478019	150	1100	2200	50	425	-	19,58
...	-	...
07000478029	100	1600	3200	50	675	-	28,48

Series DDTS-60

Load capacity up to 320 kg/Pair

Over extension, Cross section 60,0 x 60,0 mm

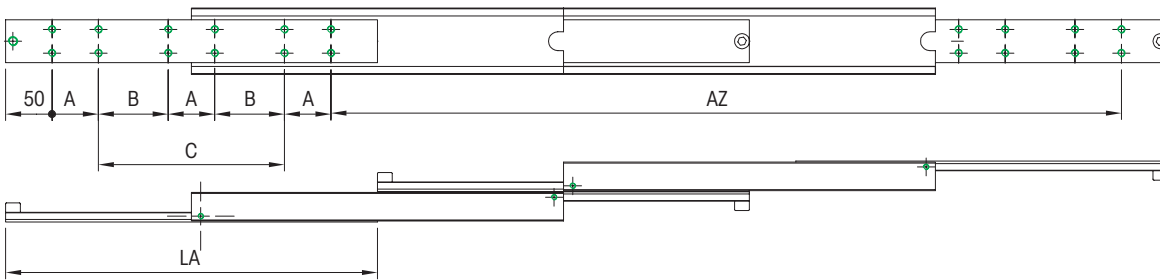
Material

Steel (C45E+C)
zinc-plated
milled raceway

DDTS-...

Single-sided extendable

DDTS-60



Note:

LA = Length

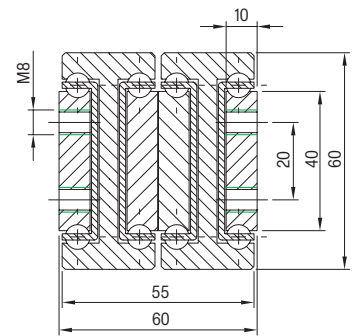
AZ = Travel

Load = Load capacity

10.000 Cycles

Hole pattern

Other lengths and versions available on request



Article no. DDTS-60	Load in kg 10.000	LA mm	AZ mm	A mm	B mm	C mm	Weight - kg/pcs. DDTS-60
07000507001	290	300	600	50	-	100	6,36
07000507002	295	350	700	50	-	150	7,42
07000507003	300	400	800	50	-	200	8,48
07000507004	305	450	900	50	-	250	9,54
07000507005	310	500	1000	50	-	300	10,60
07000507006	315	550	1100	50	-	350	11,66
07000507007	320	600	1200	50	-	400	12,72
07000507008	317	650	1300	50	200	-	13,78
07000507009	315	700	1400	50	225	-	14,84
07000507010	313	750	1500	50	250	-	15,90
07000507011	310	800	1600	50	275	-	16,96
07000507012	308	850	1700	50	300	-	18,02
07000507013	306	900	1800	50	325	-	19,08
07000507014	304	950	1900	50	350	-	20,14
07000507015	300	1000	2000	50	375	-	21,20
07000507016	290	1050	2100	50	400	-	22,26
07000507017	280	1100	2200	50	425	-	23,32
07000507018	270	1150	2300	50	450	-	24,38
07000507019	260	1200	2400	50	475	-	25,44
...
07000507035	90	2000	4000	100	800	-	42,40

Series DDTS-70

Load capacity up to 410 kg/Pair

Over extension, Cross section 64,0 x 70,0 mm

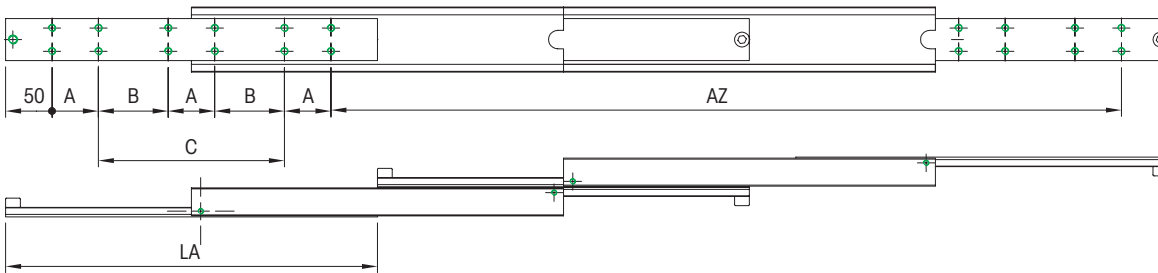
Material

Steel (C45E+C)
zinc-plated
milled raceway

DDTS-...

Single-sided extendable

DDTS-70



Note:

LA = Length

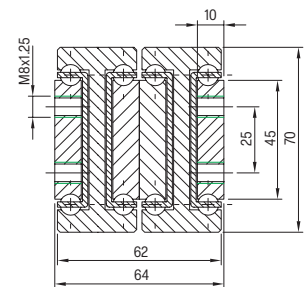
AZ = Travel

Load = Load capacity

10.000 Cycles

 Hole pattern

Other lengths and versions available on request



Article no. DDTS-70	Load in kg 10.000	LA mm	AZ mm	A mm	B mm	C mm	Weight - kg/pcs. DDTS-70
07000479001		300	600	50	-	100	8,27
07000479002		350	700	50	-	150	9,64
07000479003		400	800	50	-	200	11,02
07000479004		450	900	50	-	250	12,40
07000479005		500	1000	50	-	300	13,78
07000479006		550	1100	50	-	350	15,15
07000479007		600	1200	50	-	400	16,53
07000479008		650	1300	50	200	-	17,91
07000479009		700	1400	50	225	-	19,29
07000479010		750	1500	50	250	-	20,66
07000479011		800	1600	50	275	-	22,04
07000479012		850	1700	50	300	-	23,42
07000479013		900	1800	50	325	-	24,80
07000479014		950	1900	50	350	-	26,17
07000479015		1000	2000	50	375	-	27,55
07000479016		1050	2100	50	400	-	28,93
07000479017		1100	2200	50	425	-	30,31
07000479018		1150	2300	50	450	-	31,68
07000479019		1200	2400	50	475	-	33,06
...	
07000479035		2000	4000	100	800	-	55,10

Series DDTS-80

Load capacity up to 510 kg/Pair

Over extension, Cross section 60,0 x 80,0 mm

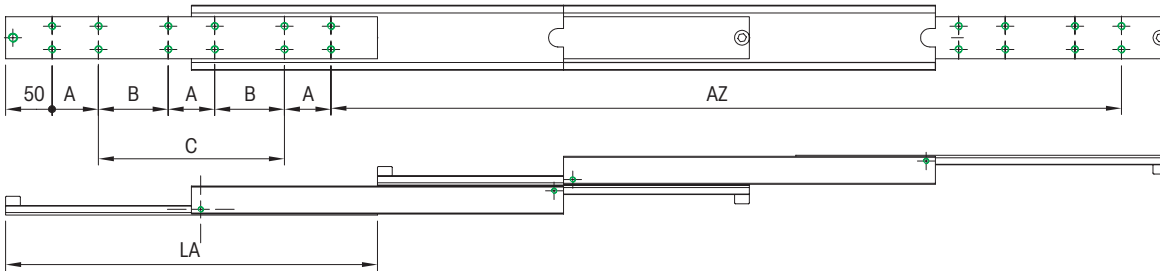
Material

Steel (C45E+C)
zinc-plated
milled raceway

DDTS-...

Single-sided extendable

DDTS-80



Note:

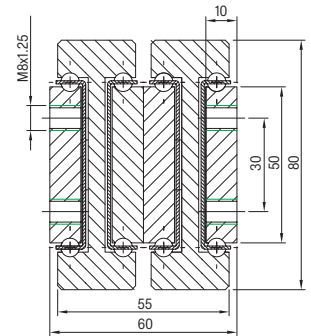
LA = Length

AZ = Travel

Load = Load capacity
10.000 Cycles

 Hole pattern

Other lengths and versions available on request



Article no. DDTS-80	Load in kg 10.000	LA mm	AZ mm	A mm	B mm	C mm	Weight - kg/pcs. DDTS-80
07000480001	420	300	600	50	-	100	9,18
07000480002	430	350	700	50	-	150	10,71
07000480003	440	400	800	50	-	200	12,24
07000480004	450	450	900	50	-	250	13,77
07000480005	460	500	1000	50	-	300	15,30
07000480006	470	550	1100	50	-	350	16,83
07000480007	480	600	1200	50	-	400	18,36
07000480008	490	650	1300	50	200	-	19,89
07000480009	500	700	1400	50	225	-	21,42
07000480010	510	750	1500	50	250	-	22,95
07000480011	500	800	1600	50	275	-	24,48
07000480012	495	850	1700	50	300	-	26,01
07000480013	490	900	1800	50	325	-	27,54
07000480014	475	950	1900	50	350	-	29,07
07000480015	460	1000	2000	50	375	-	30,60
07000480016	440	1050	2100	50	400	-	32,13
07000480017	420	1100	2200	50	425	-	33,66
07000480018	400	1150	2300	50	450	-	35,19
07000480019	380	1200	2400	50	475	-	36,72
...
07000480035	140	2000	4000	100	800	-	61,20

Series DDTS-90

Load capacity up to 630 kg/Pair

Over extension, Cross section 72,0 x 90,0 mm

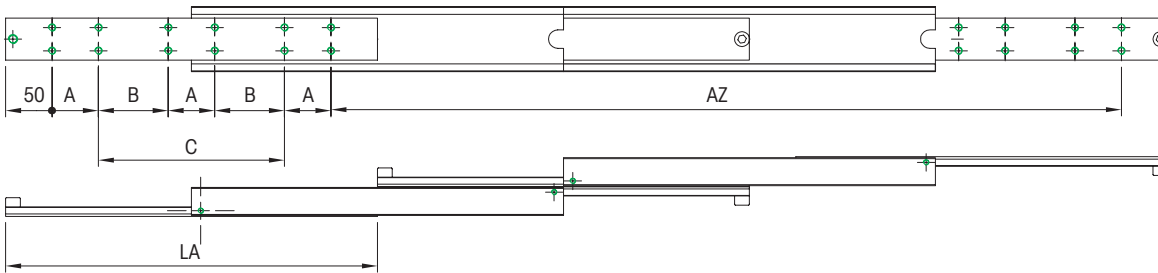
Material

Steel (C45E+C)
zinc-plated
milled raceway

DDTS-...

Single-sided extendable

DDTS-90



Note:

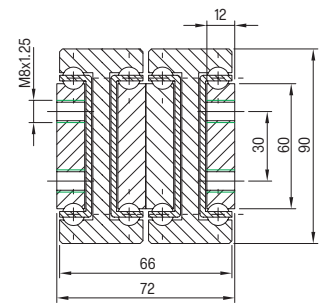
LA = Length

AZ = Travel

Load = Load capacity
10.000 Cycles

 Hole pattern

Other lengths and versions available on request



Article no. DDTS-90	Load in kg 10.000	LA mm	AZ mm	A mm	B mm	C mm	Weight - kg/pcs. DDTS-90
07000481001	460	300	600	50	-	100	11,91
07000481002	480	350	700	50	-	150	13,90
07000481003	510	400	800	50	-	200	15,88
07000481004	530	450	900	50	-	250	17,87
07000481005	550	500	1000	50	-	300	19,85
07000481006	575	550	1100	50	-	350	21,84
07000481007	600	600	1200	50	-	400	23,82
07000481008	610	650	1300	50	200	-	25,81
07000481009	620	700	1400	50	225	-	27,79
07000481010	625	750	1500	50	250	-	29,78
07000481011	630	800	1600	50	275	-	31,76
07000481012	625	850	1700	50	300	-	33,75
07000481013	620	900	1800	50	325	-	35,73
07000481014	615	950	1900	50	350	-	37,72
07000481015	610	1000	2000	50	375	-	39,70
07000481016	585	1050	2100	50	400	-	41,69
07000481017	570	1100	2200	50	425	-	43,67
07000481018	555	1150	2300	50	450	-	45,66
07000481019	535	1200	2400	50	475	-	47,64
....
07000481035	220	2000	4000	100	800	-	79,40

Series DDTS-110

Load capacity up to 840 kg/Pair

Over extension, Cross section 88,0 x 110,0 mm

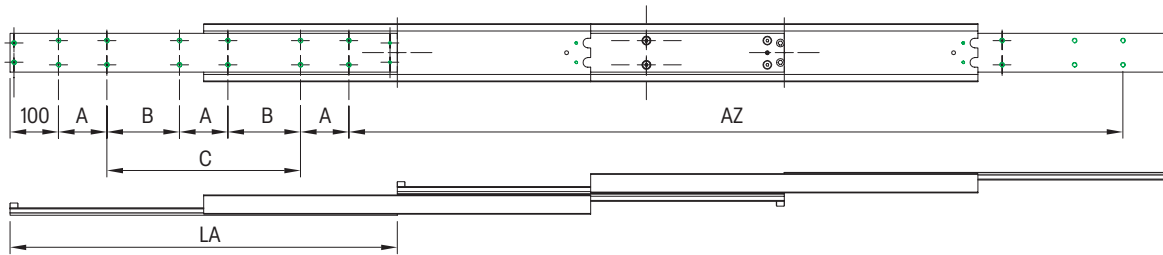
Material

Steel (C45E+C)
zinc-plated
milled raceway

DDTS-...

Single-sided extendable

DDTS-110



Note:

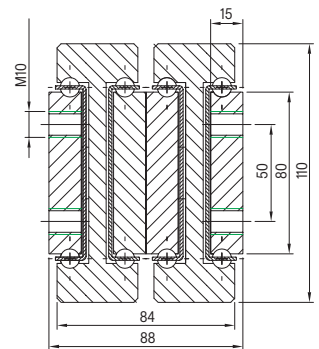
LA = Length

AZ = Travel

Load = Load capacity
10.000 Cycles

Hole pattern

Other lengths and versions available on request



Article no. DDTS-110	Load in kg 10.000	LA mm	AZ mm	A mm	B mm	C mm	Weight - kg/pcs. DDTS-110
07000506001	600	300	600	50	-	-	18,98
07000506002	640	350	700	50	-	50	22,17
07000506003	670	400	800	50	-	100	25,36
07000506004	700	450	900	50	-	150	28,55
07000506005	740	500	1000	50	-	200	31,74
07000506006	770	550	1100	50	-	250	34,93
07000506007	780	600	1200	50	-	300	38,12
07000506008	810	650	1300	50	200	-	41,31
07000506009	820	700	1400	50	225	-	44,50
07000506010	840	750	1500	50	250	-	47,69
07000506011	830	800	1600	100	275	-	50,88
07000506012	800	850	1700	100	300	-	54,07
07000506013	780	900	1800	100	325	-	57,26
07000506014	760	950	1900	100	350	-	60,45
07000506015	740	1000	2000	100	375	-	63,64
07000506016	720	1050	2100	100	400	-	66,83
07000506017	700	1100	2200	100	425	-	70,02
07000506018	680	1150	2300	100	450	-	73,21
07000506019	660	1200	2400	100	475	-	76,40
...
07000506037	200	2200	4400	200	850	-	140,01

Series DDTS-150

Load capacity up to 1.540 kg/Pair

Over extension, Cross section 110,0 x 150,0 mm

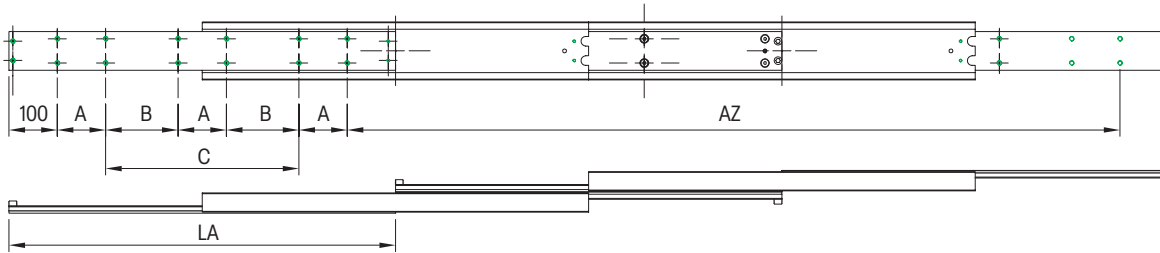
Material

Steel (C45E+C)
zinc-plated
milled raceway

DDTS-...

Single-sided extendable

DDTS-150



Note:

LA = Length

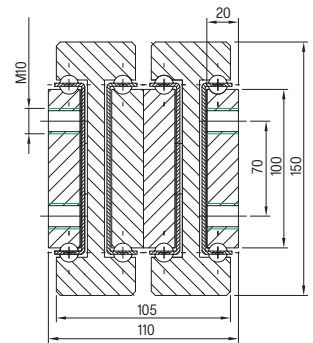
AZ = Travel

Load = Load capacity

10.000 Cycles

 Hole pattern

Other lengths and versions available on request



Article no. DDTS-150	Load in kg 10.000	LA mm	AZ mm	A mm	B mm	C mm	Weight - kg/pcs. DDTS-150
07000483001	1120	300	600	100	-	-	33,15
07000483002	1170	350	700	50	-	50	38,68
07000483003	1220	400	800	50	-	100	44,20
07000483004	1280	450	900	50	-	150	49,73
07000483005	1330	500	1000	50	-	200	55,25
07000483006	1380	550	1100	50	-	250	60,78
07000483007	1440	600	1200	50	-	300	66,30
07000483008	1460	650	1300	50	150	-	71,83
07000483009	1490	700	1400	50	175	-	77,35
07000483010	1510	750	1500	50	200	-	82,88
07000483011	1540	800	1600	100	225	-	88,40
07000483012	1520	850	1700	100	250	-	93,93
07000483013	1500	900	1800	100	275	-	99,45
07000483014	1480	950	1900	100	300	-	104,98
07000483015	1460	1000	2000	100	325	-	110,50
07000483016	1440	1050	2100	100	350	-	116,03
07000483017	1410	1100	2200	100	375	-	121,55
07000483018	1390	1150	2300	100	400	-	127,08
07000483019	1350	1200	2400	100	425	-	132,60
...
07000483045	160	2500	5000	100	1000	-	276,25

Wind power plants



Load capacity up to 280 kg/Pair

Partial extension, Cross section 16,0 x 40,0 mm

Material

Stainless steel 316L
(1.4404),
machined raceway

SOWS-...

Single-sided extendable

SOWST-...

Double-sided extendable

Note:

LA = Length

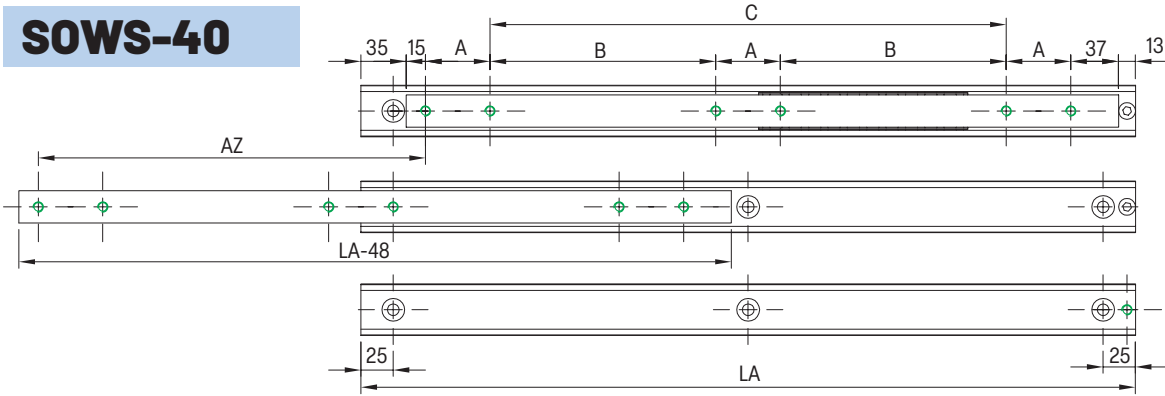
AZ = Travel

Load = Load capacity
10.000 Cycles

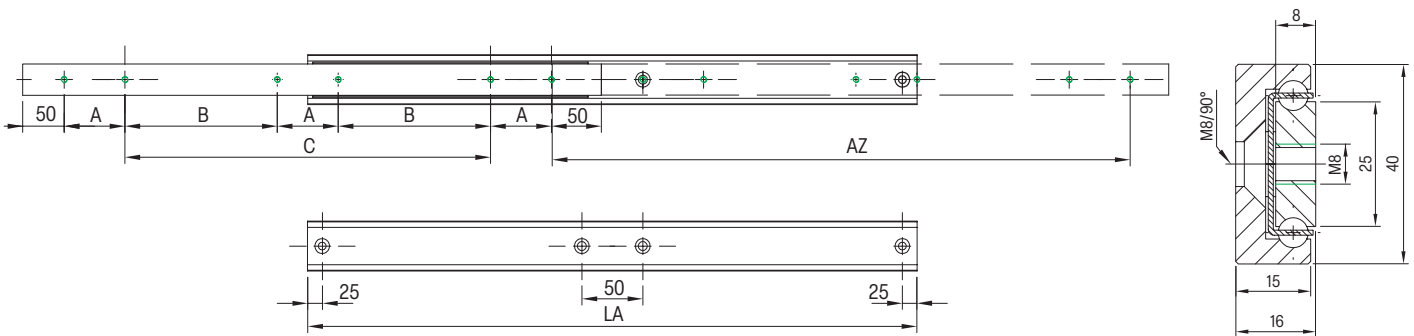
 Hole pattern

Other lengths and
versions available on
request

SOWS-40



SOWST-40



Article no. SOWS-40	Article no. SOWST-40	Load in kg 10.000	LA mm	AZ mm	A mm	B mm	C mm	Weight - kg/pcs. SOWS-40	Weight - kg/pcs. SOWST-40
07000501001	07000503001	220	200	100	50	-	-	0,82	0,82
07000501002	07000503002	230	250	125	50	-	50	1,03	1,02
07000501003	07000503003	240	300	150	50	-	100	1,23	1,23
07000501004	07000503004	250	350	175	50	-	150	1,44	1,43
07000501005	07000503005	260	400	200	50	-	200	1,64	1,64
07000501006	07000503006	270	450	225	50	-	250	1,85	1,84
07000501007	07000503007	280	500	250	50	-	300	2,05	2,05
07000501008	07000503008	270	550	275	50	150	-	2,26	2,25
07000501009	07000503009	260	600	300	50	175	-	2,46	2,46
07000501010	07000503010	250	650	325	50	200	-	2,67	2,67
07000501011	07000503011	240	700	350	50	225	-	2,87	2,87
07000501012	07000503012	225	750	375	50	250	-	3,08	3,07
07000501013	07000503013	200	800	400	50	275	-	3,28	3,28
07000501014	07000503014	185	850	425	50	300	-	3,49	3,48
07000501015	07000503015	170	900	450	50	325	-	3,69	3,69
07000501016	07000503016	155	950	475	50	350	-	3,90	3,89
07000501017	07000503017	140	1000	500	50	375	-	4,10	4,10
07000501018	07000503018	130	1050	525	50	400	-	4,31	4,30
07000501019	07000503019	120	1100	550	50	425	-	4,51	4,51
...
07000501029	07000503029	20	1600	800	50	675	-	6,56	6,56

Load capacity up to 400 kg/Pair

Partial extension, Cross section 17,0 x 50,0 mm

Material

Stainless steel 316L
(1.4404),
machined raceway

SOWS-...

Single-sided extendable

SOWST-...

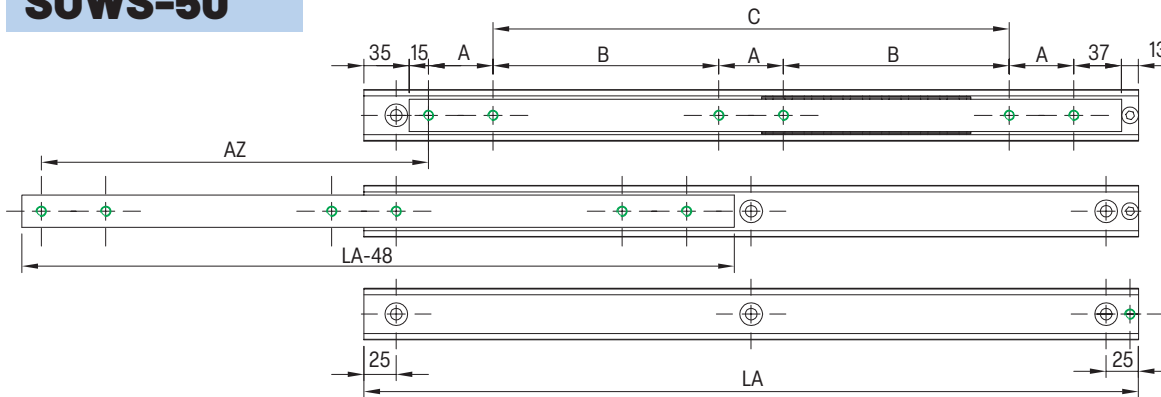
Double-sided extendable

Note:

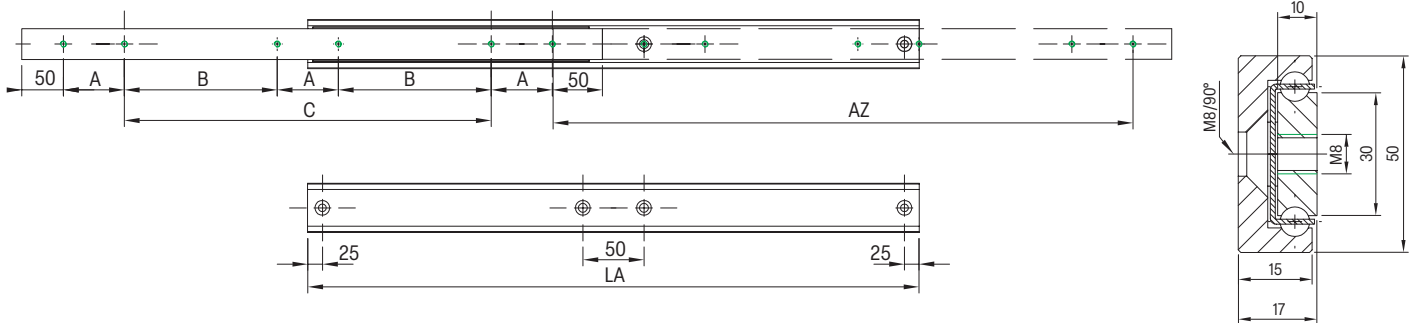
LA = Length
AZ = Travel
Load = Load capacity
10.000 Cycles
● Hole pattern

Other lengths and versions available on request

SOWS-50



SOWST-50



Article no. SOWS-50	Article no. SOWST-50	Load in kg 10.000	LA mm	AZ mm	A mm	B mm	C mm	Weight - kg/pcs. SOWS-50	Weight - kg/pcs. SOWST-50
07000502001	07000504001	330	200	100	50	-	-	1,10	1,10
07000502002	07000504002	340	250	125	50	-	50	1,38	1,38
07000502003	07000504003	350	300	150	50	-	100	1,65	1,65
07000502004	07000504004	360	350	175	50	-	150	1,93	1,93
07000502005	07000504005	370	400	200	50	-	200	2,20	2,20
07000502006	07000504006	380	450	225	50	-	250	2,48	2,48
07000502007	07000504007	390	500	250	50	-	300	2,75	2,75
07000502008	07000504008	400	550	275	50	150	-	3,03	3,03
07000502009	07000504009	380	600	300	50	175	-	3,30	3,30
07000502010	07000504010	360	650	325	50	200	-	3,58	3,58
07000502011	07000504011	340	700	350	50	225	-	3,85	3,85
07000502012	07000504012	320	750	375	50	250	-	4,13	4,13
07000502013	07000504013	310	800	400	50	275	-	4,40	4,40
07000502014	07000504014	290	850	425	50	300	-	4,68	4,68
07000502015	07000504015	290	900	450	50	325	-	4,95	4,95
07000502016	07000504016	280	950	475	50	350	-	5,23	5,23
07000502017	07000504017	270	1000	500	50	375	-	5,50	5,50
07000502018	07000504018	260	1050	525	50	400	-	5,78	5,78
07000502019	07000502019	250	1100	550	50	425	-	6,05	6,05
...
07000502037	07000504037	60	2000	1000	100	800	-	11,00	11,00

Load capacity up to 154 kg/Pair

Full extension, Cross section 24,0 x 40,0 mm

Material

Stainless steel 316L
(1.4404),
machined raceway

SDTS-...

Single-sided extendable

SDTSB-...

Double-sided extendable

Note:

LA = Length

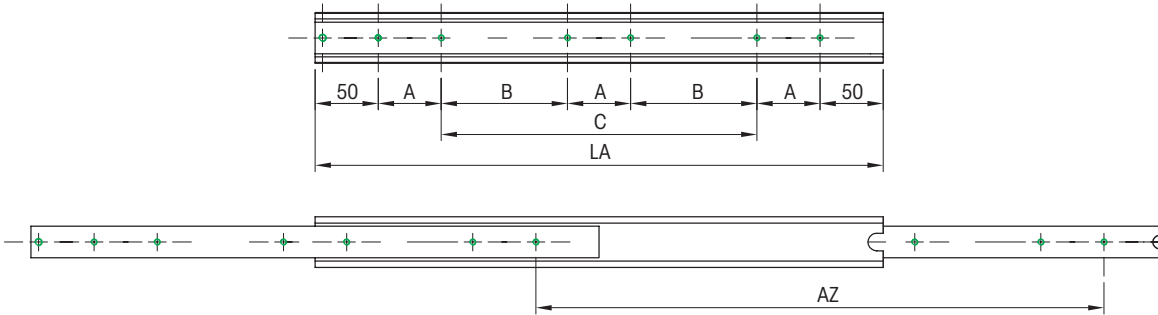
AZ = Travel

Load = Load capacity
10.000 Cycles

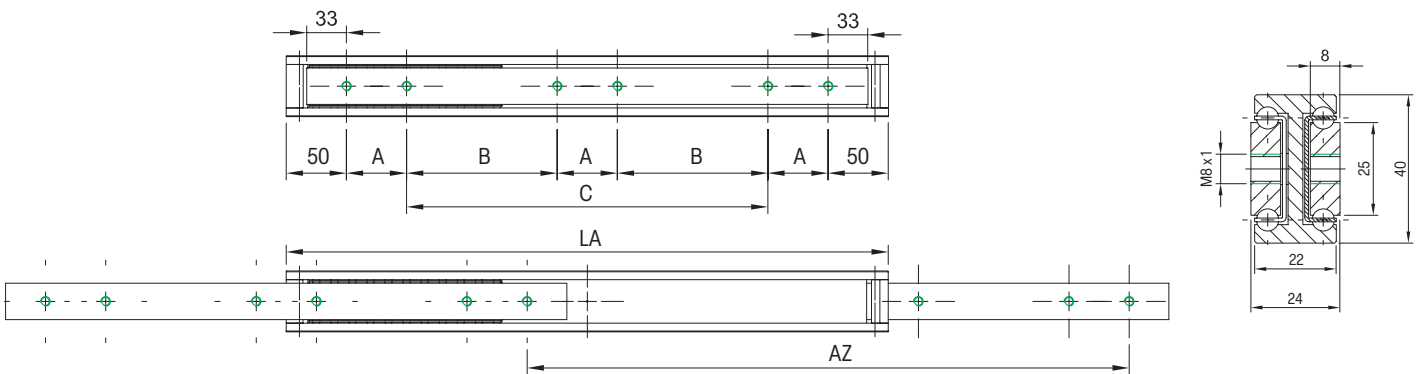
 Hole pattern

Other lengths and versions available on request

SDTS-40



SDTSB-40



Article no. SDTS-40	Article no. SDTSB-40	Load in kg 10.000	LA mm	AZ mm	A mm	B mm	C mm	Weight - kg/pcs. SDTS-40	Weight - kg/pcs. SDTSB-40
07000468001	07000470001	140	200	200	50	-	-	1,12	1,10
07000468002	07000470002	142	250	250	50	-	50	1,40	1,38
07000468003	07000470003	144	300	300	50	-	100	1,68	1,65
07000468004	07000470004	146	350	350	50	-	150	1,96	1,93
07000468005	07000470005	148	400	400	50	-	200	2,24	2,20
07000468006	07000470006	150	450	450	50	-	250	2,52	2,48
07000468007	07000470007	152	500	500	50	-	300	2,80	2,75
07000468008	07000470008	154	550	550	50	150	-	3,08	3,03
07000468009	07000470009	150	600	600	50	175	-	3,36	3,30
07000468010	07000470010	145	650	650	50	200	-	3,64	3,58
07000468011	07000470011	140	700	700	50	225	-	3,92	3,85
07000468012	07000470012	135	750	750	50	250	-	4,20	4,13
07000468013	07000470013	130	800	800	50	275	-	4,48	4,40
07000468014	07000470014	125	850	850	50	300	-	4,76	4,68
07000468015	07000470015	120	900	900	50	325	-	5,04	4,95
07000468016	07000470016	115	950	950	50	350	-	5,32	5,23
07000468017	07000470017	110	1000	1000	50	375	-	5,60	5,50
07000468018	07000470018	105	1050	1050	50	400	-	5,88	5,78
07000468019	07000470019	100	1100	1100	50	425	-	6,16	6,05
...
07000468029	07000470029	50	1600	1600	50	675	-	8,96	8,80

Load capacity up to 280 kg/Pair

Full extension, Cross section 25,0 x 50,0 mm

Material

Stainless steel 316L
(1.4404),
machined raceway

SDTS-...

Single-sided extendable

SDTSB-...

Double-sided extendable

Note:

LA = Length

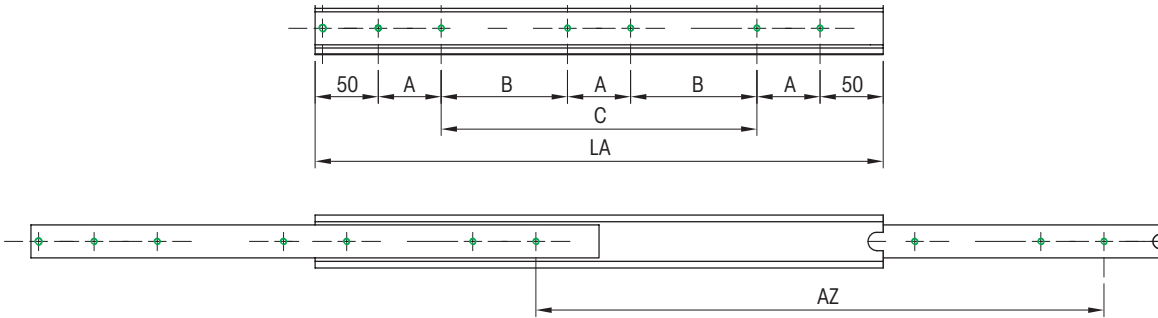
AZ = Travel

Load = Load capacity
10.000 Cycles

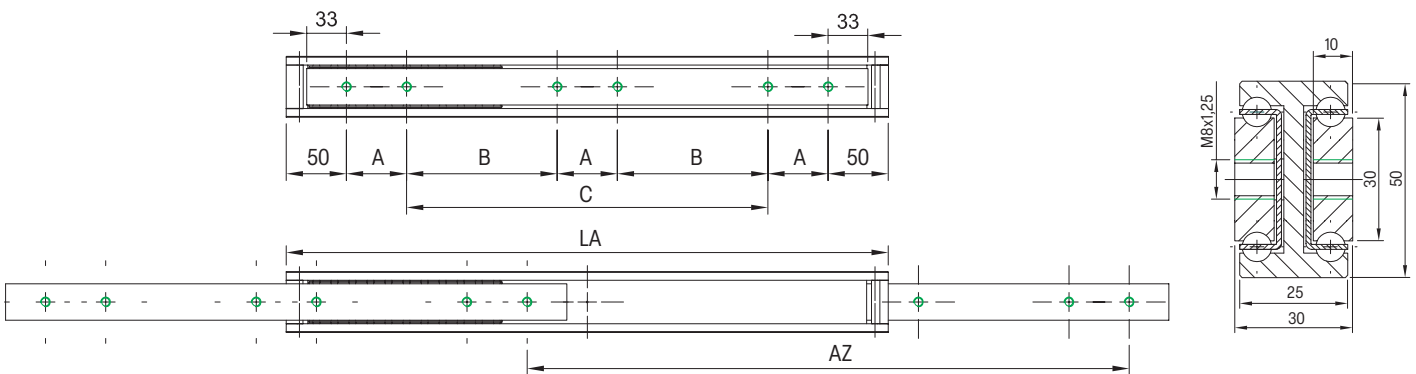
 Hole pattern

Other lengths and versions available on request

SDTS-50



SDTSB-50



Article no. SDTS-50	Article no. SDTSB-50	Load in kg 10.000	LA mm	AZ mm	A mm	B mm	C mm	Weight - kg/pcs. SDTS-50	Weight - kg/pcs. SDTSB-50
07000497001	07000471001	220	200	200	50	-	-	1,78	1,74
07000497002	07000471002	230	250	250	50	-	50	2,23	2,18
07000497003	07000471003	240	300	300	50	-	100	2,67	2,61
07000497004	07000471004	250	350	350	50	-	150	3,12	3,05
07000497005	07000471005	260	400	400	50	-	200	3,56	3,48
07000497006	07000471006	270	450	450	50	-	250	4,01	3,92
07000497007	07000471007	280	500	500	50	-	300	4,45	4,35
07000497008	07000471008	270	550	550	50	150	-	4,90	4,79
07000497009	07000471009	260	600	600	50	175	-	5,34	5,22
07000497010	07000471010	250	650	650	50	200	-	5,79	5,66
07000497011	07000471011	240	700	700	50	225	-	6,23	6,09
07000497012	07000471012	230	750	750	50	250	-	6,68	6,53
07000497013	07000471013	220	800	800	50	275	-	7,12	6,96
07000497014	07000471014	210	850	850	50	300	-	7,57	7,40
07000497015	07000471015	200	900	900	50	325	-	8,01	7,83
07000497016	07000471016	190	950	950	50	350	-	8,46	8,27
07000497017	07000471017	180	1000	1000	50	375	-	8,90	8,70
07000497018	07000471018	175	1050	1050	50	400	-	9,35	9,14
07000497019	07000471019	170	1100	1100	50	425	-	9,79	9,57
...
07000497029	07000471029	40	1600	1600	50	675	-	14,24	13,92

Load capacity up to 440 kg/Pair

Full extension, Cross section 30,0 x 60,0 mm

Material

Stainless steel 316L
(1.4404),
machined raceway

SDTS-...

Single-sided extendable

SDTSB-...

Double-sided extendable

Note:

LA = Length

AZ = Travel

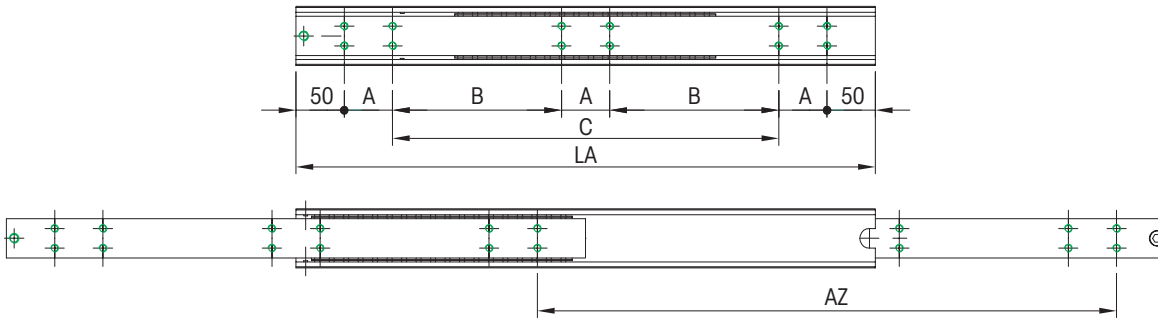
Load = Load capacity

10.000 Cycles

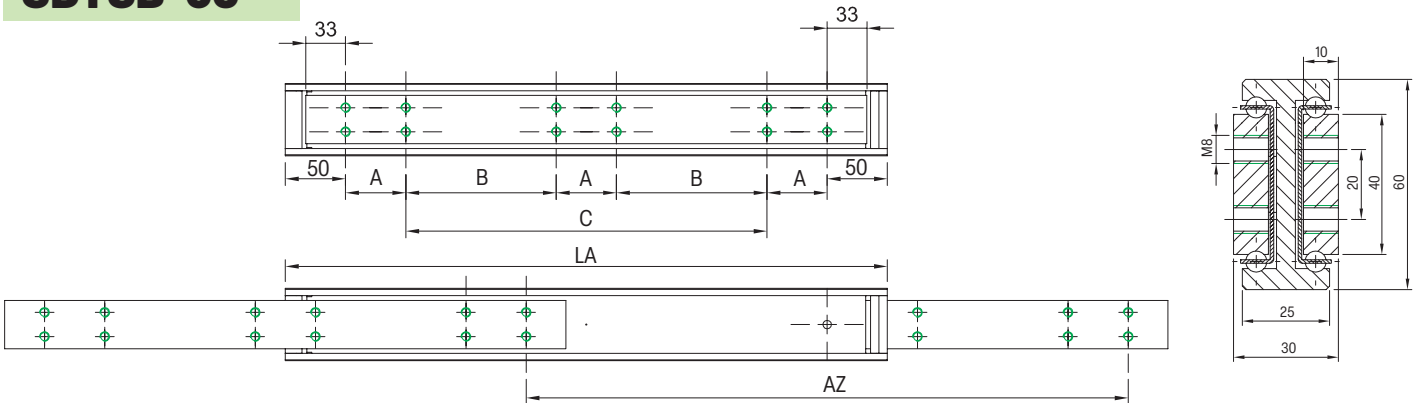
 Hole pattern

Other lengths and versions available on request

SDTS-60



SDTSB-60



Article no. SDTS-60	Article no. SDTSB-60	Load in kg 10.000	LA mm	AZ mm	A mm	B mm	C mm	Weight - kg/pcs. SDTS-60	Weight - kg/pcs. SDTSB-60
07000498001	07000472001	360	200	200	50	-	-	2,12	2,06
07000498002	07000472002	370	250	250	50	-	50	2,65	2,58
07000498003	07000472003	380	300	300	50	-	100	3,18	3,09
07000498004	07000472004	390	350	350	50	-	150	3,71	3,61
07000498005	07000472005	400	400	400	50	-	200	4,24	4,12
07000498006	07000472006	410	450	450	50	-	250	4,77	4,64
07000498007	07000472007	420	500	500	50	-	300	5,31	5,15
07000498008	07000472008	430	550	550	50	-	350	5,84	5,67
07000498009	07000472009	440	600	600	50	-	400	6,37	6,18
07000498010	07000472010	420	650	650	50	200	-	6,90	6,70
07000498011	07000472011	400	700	700	50	225	-	7,43	7,21
07000498012	07000472012	380	750	750	50	250	-	7,96	7,73
07000498013	07000472013	360	800	800	50	275	-	8,49	8,24
07000498014	07000472014	340	850	850	50	300	-	9,02	8,76
07000498015	07000472015	320	900	900	50	325	-	9,55	9,27
07000498016	07000472016	300	950	950	50	350	-	10,08	9,79
07000498017	07000472017	280	1000	1000	50	375	-	10,61	10,30
07000498018	07000472018	270	1050	1050	50	400	-	11,14	10,82
07000498019	07000472019	260	1100	1100	50	425	-	11,67	11,33
...
07000498029	07000473029	200	1600	1600	50	675	-	16,98	16,48

Load capacity up to 480 kg/Pair

Full extension, Cross section 32,0 x 70,0 mm

Material

Stainless steel 316L
(1.4404),
machined raceway


SDTS-...

Single-sided extendable

SDTSB-...

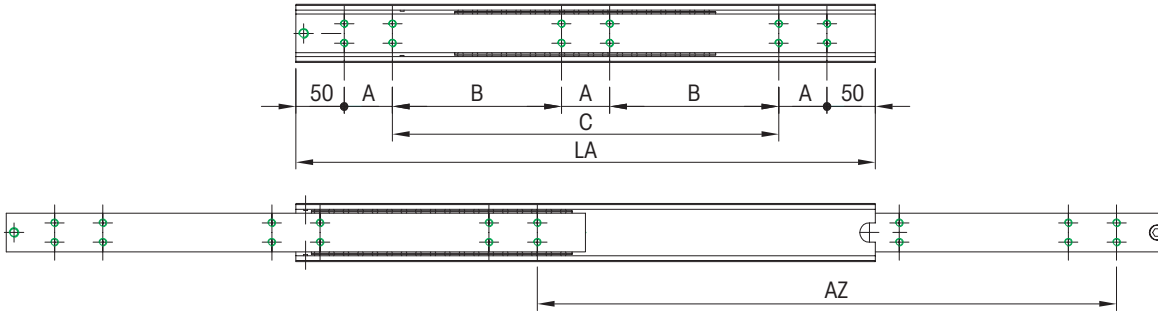
Double-sided extendable

Note:

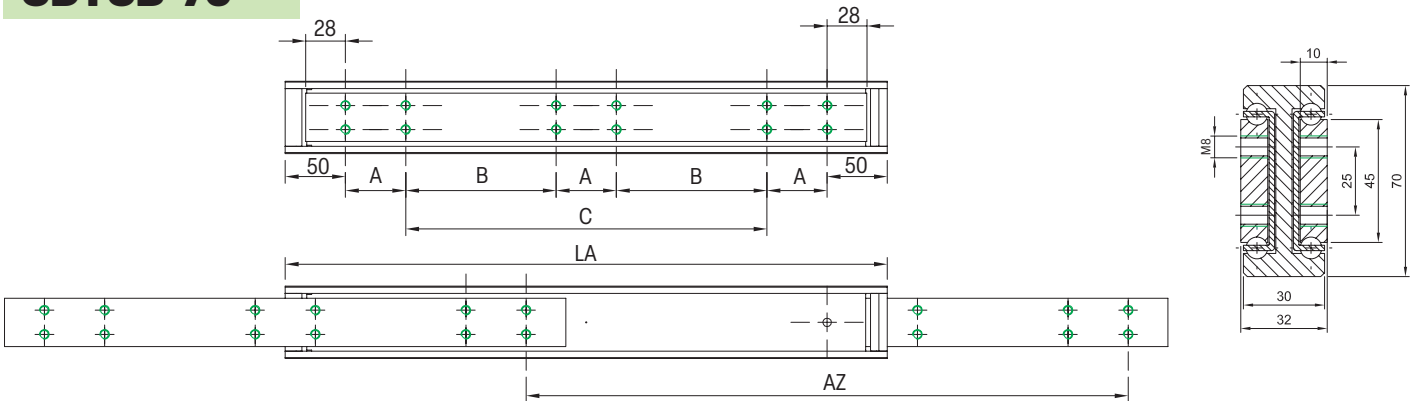
LA = Length
AZ = Travel
Load = Load capacity
10.000 Cycles
 Hole pattern

Other lengths and versions available on request

SDTS-70



SDTSB-70



Article no. SDTS-70	Article no. SDTSB-70	Load in kg 10.000	LA mm	AZ mm	A mm	B mm	C mm	Weight - kg/pcs. SDTS-70	Weight - kg/pcs. SDTSB-70
07000499001	07000473001	400	200	200	50	-	-	2,72	2,66
07000499002	07000473002	410	250	250	50	-	50	3,40	3,33
07000499003	07000473003	420	300	300	50	-	100	4,08	3,99
07000499004	07000473004	430	350	350	50	-	150	4,76	4,66
07000499005	07000473005	440	400	400	50	-	200	5,44	5,32
07000499006	07000473006	450	450	450	50	-	250	6,12	5,99
07000499007	07000473007	460	500	500	50	-	300	6,80	6,65
07000499008	07000473008	470	550	550	50	150	-	7,48	7,32
07000499009	07000473009	480	600	600	50	175	-	8,16	7,98
07000499010	07000473010	460	650	650	50	200	-	8,84	8,65
07000499011	07000473011	440	700	700	50	225	-	9,52	9,31
07000499012	07000473012	420	750	750	50	250	-	10,20	9,98
07000499013	07000473013	400	800	800	50	275	-	10,88	10,64
07000499014	07000473014	380	850	850	50	300	-	11,56	11,31
07000499015	07000473015	360	900	900	50	325	-	12,24	11,97
07000499016	07000473016	340	950	950	50	350	-	12,92	12,64
07000499017	07000473017	320	1000	1000	50	375	-	13,60	13,30
07000499018	07000473018	310	1050	1050	50	400	-	14,28	13,97
07000499019	07000473019	300	1100	1100	50	425	-	14,96	14,63
...
07000499037	07000473037	160	2000	2000	100	800	-	27,20	26,60

Load capacity up to 600 kg/Pair

Full extension, Cross section 36,0 x 90,0 mm

Material

Stainless steel 316L
(1.4404),
machined raceway

SDTS-...

Single-sided extendable

SDTSB-...

Double-sided extendable

Note:

LA = Length

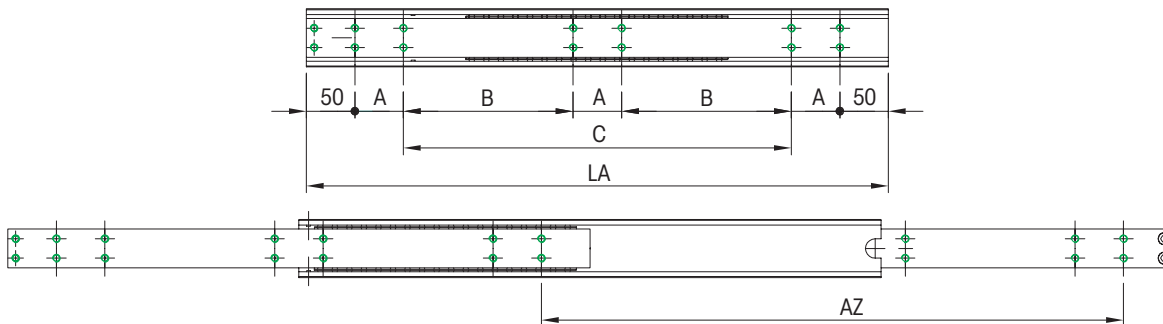
AZ = Travel

Load = Load capacity
10.000 Cycles

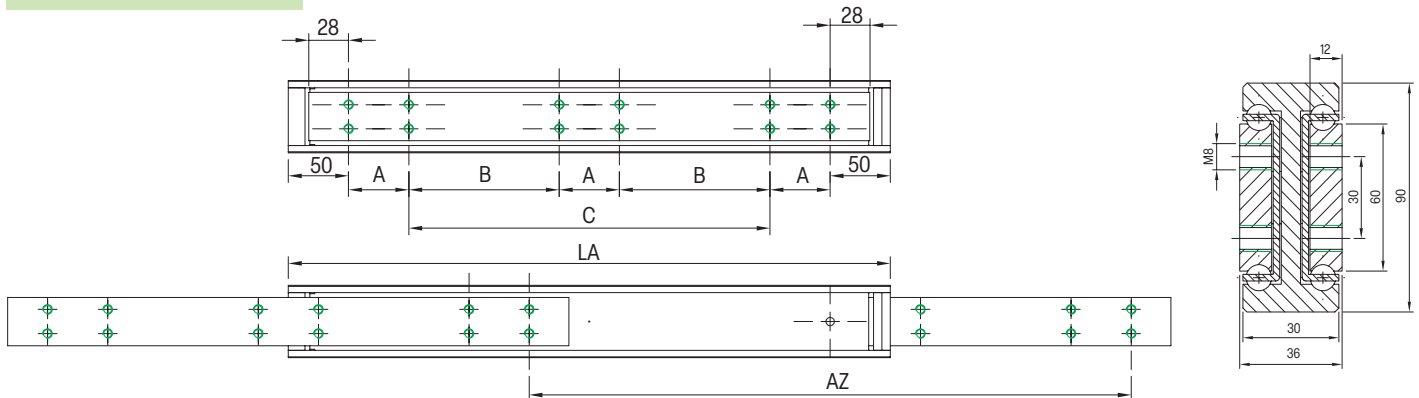
 Hole pattern

Other lengths and versions available on request

SDTS-90



SDTSB-90



Article no. SDTS-90	Article no. SDTSB-90	Load in kg 10.000	LA mm	AZ mm	A mm	B mm	C mm	Weight - kg/pcs. SDTS-90	Weight - kg/pcs. SDTSB-90
07000469001	07000500001	460	200	200	50	-	-	3,96	3,84
07000469002	07000500002	480	250	250	50	-	50	4,95	4,80
07000469003	07000500003	500	300	300	50	-	100	5,94	5,76
07000469004	07000500004	525	350	350	50	-	150	6,93	6,72
07000469005	07000500005	550	400	400	50	-	200	7,92	7,68
07000469006	07000500006	575	450	450	50	-	250	8,91	8,64
07000469007	07000500007	600	500	500	50	-	300	9,90	9,60
07000469008	07000500008	580	550	550	50	-	350	10,89	10,56
07000469009	07000500009	560	600	600	50	-	400	11,88	11,52
07000469010	07000500010	540	650	650	50	200	-	12,87	12,48
07000469011	07000500011	520	700	700	50	225	-	13,86	13,44
07000469012	07000500012	500	750	750	50	250	-	14,85	14,40
07000469013	07000500013	480	800	800	50	275	-	15,84	15,36
07000469014	07000500014	460	850	850	50	300	-	16,83	16,32
07000469015	07000500015	440	900	900	50	325	-	17,82	17,28
07000469016	07000500016	420	950	950	50	350	-	18,81	18,24
07000469017	07000500017	400	1000	1000	50	375	-	19,80	19,20
07000469018	07000500018	390	1050	1050	50	400	-	20,79	20,16
07000469019	07000500019	380	1100	1100	50	425	-	21,78	21,12
...
up to 2000 mm	07000500029	160	2500	2500	100	700	-	-	48,00

Shipbuilding & Transport



Series SQR-60

Load capacity up to 140 kg/Pair

Over extension, Cross section 33,0 x 60,0 mm

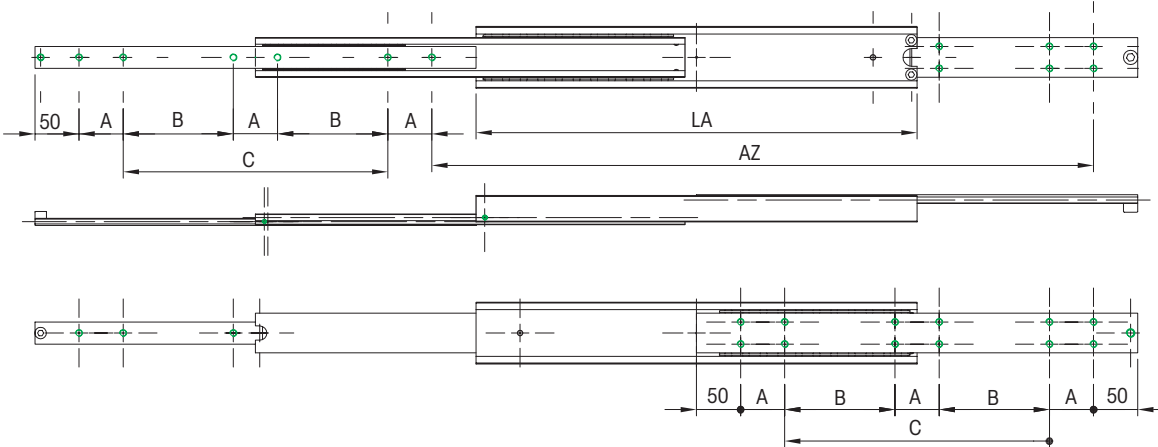
Material

Stainless steel 316L
(1.4404),
machined raceway

SQR-...

Single-sided extendable

SQR-60



Note:

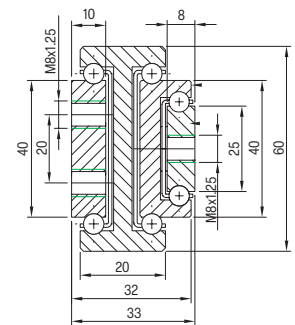
LA = Length

AZ = Travel

Load = Load capacity
10.000 Cycles

 Hole pattern

Other lengths and
versions available on
request



Article no. SQR-60	Load in kg 10.000	LA mm	AZ mm	A mm	B mm	C mm	Weight - kg/pcs. SQR-60
07000961001	70	200	300	50	-	-	3,12
07000961002	80	250	375	50	-	50	3,90
07000961003	85	300	450	50	-	100	4,68
07000961004	90	350	525	50	-	150	5,46
07000961005	100	400	600	50	-	200	6,24
07000961006	110	450	675	50	-	250	7,02
07000961007	120	500	750	50	-	300	7,80
07000961008	130	550	825	50	150	-	8,58
07000961009	140	600	900	50	175	-	9,36
07000961010	135	650	975	50	200	-	10,14
07000961011	130	700	1050	50	225	-	10,92
07000961012	125	750	1125	50	250	-	11,70
07000961013	120	800	1200	50	275	-	12,48
07000961014	115	850	1275	50	300	-	13,26
07000961015	110	900	1350	50	325	-	14,04
07000961016	105	950	1425	50	350	-	14,82
07000961017	100	1000	1500	50	375	-	15,60
07000961018	95	1050	1575	50	400	-	16,38
07000961019	90	1100	1650	50	425	-	17,16
...
07000961027	58	1600	2400	50	675	-	24,96

Series SQSRT-70

Load capacity up to 220 kg/Pair

Partial extension, Cross section 35,0 x 70,0 mm

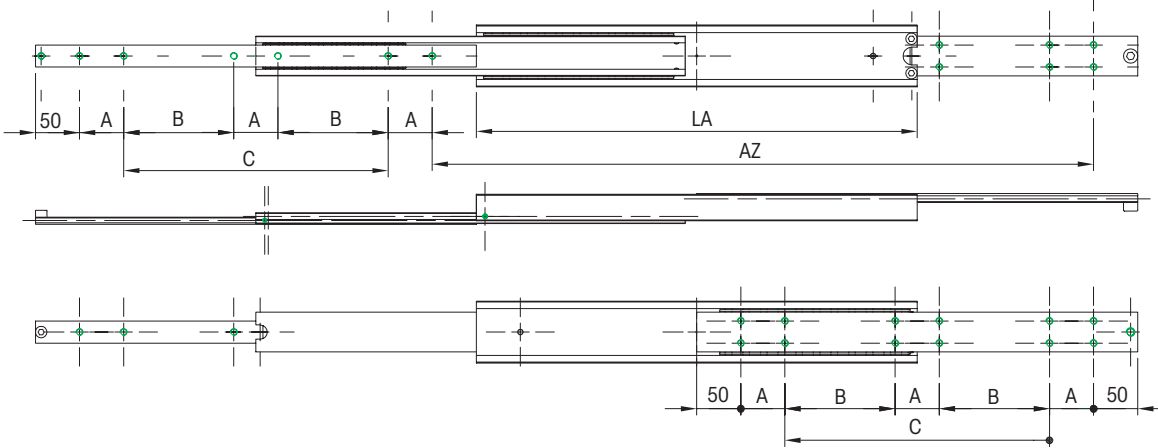
Material

Stainless steel 316L
(1.4404),
machined raceway

SQSRT-...

Single-sided extendable

SQSRT-70



Note:

LA = Length

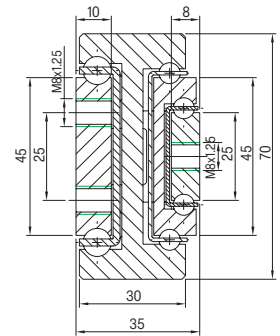
AZ = Travel

Load = Load capacity

10.000 Cycles

Hole pattern

Other lengths and versions available on request



Article no. SQSRT-70	Load in kg 10.000	LA mm	AZ mm	A mm	B mm	C mm	Weight - kg/pcs. SQSRT-70
07000505001	190	300	450	50	-	100	2,72
07000505002	195	350	525	50	-	150	3,40
07000505003	200	400	600	50	-	200	4,08
07000505004	205	450	675	50	-	250	4,76
07000505005	210	500	750	50	-	300	5,44
07000505006	215	550	825	50	150	-	6,12
07000505007	220	600	900	50	175	-	6,80
07000505008	215	650	975	50	200	-	7,48
07000505009	21	700	1050	50	225	-	8,16
07000505010	205	750	1125	50	250	-	8,84
07000505011	200	800	1200	50	275	-	9,52
07000505012	195	850	1275	50	300	-	10,20
07000505013	190	900	1350	50	325	-	10,88
07000505014	185	950	1425	50	350	-	11,56
07000505015	180	1000	1500	50	375	-	12,24
07000505016	175	1050	1575	50	400	-	12,92
07000505017	170	1100	1650	50	425	-	13,60
07000505018	165	1150	1725	50	450	-	14,28
07000499019	160	1200	1800	50	475	-	14,96
...
07000505027	120	1600	2400	50	675	-	27,20

Series SDDTS-40

Load capacity up to 50 kg/Pair

Over extension, Cross section 49,0 x 40,0 mm

Material

Stainless steel 316L
(1.4404),
machined raceway

SDDTS-...

Single-sided extendable

SDDTS-40

Note:

LA = Length

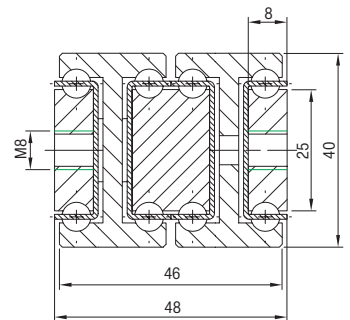
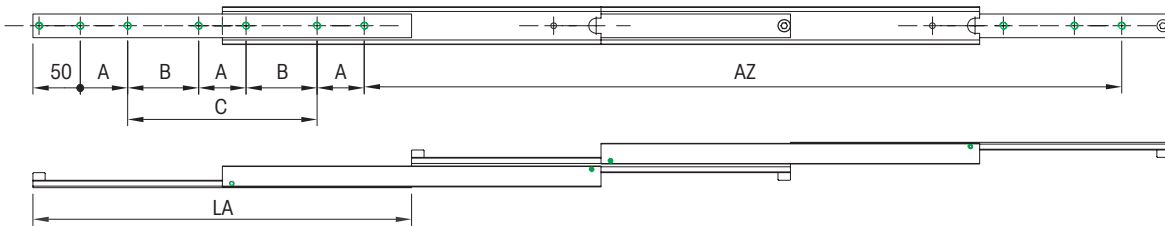
AZ = Travel

Load = Load capacity

10.000 Cycles

 Hole pattern

Other lengths and versions available on request



Article no. SDDTS-40	Load in kg 10.000	LA mm	AZ mm	A mm	B mm	C mm	Weight - kg/pcs. SDDTS-40
07000495001	38	200	400	50	-	-	2,26
07000495002	40	250	500	50	-	50	2,83
07000495003	42	300	600	50	-	100	3,39
07000495004	44	350	700	50	-	150	3,96
07000495005	46	400	800	50	-	200	4,52
07000495006	48	450	900	50	-	250	5,09
07000495007	50	500	1000	50	-	300	5,65
07000495008	48	550	1100	50	150	-	6,22
07000495009	46	600	1200	50	175	-	6,78
07000495010	42	650	1300	50	200	-	7,35
07000495011	40	700	1400	50	225	-	7,91
07000495012	39	750	1500	50	250	-	8,48
07000495013	38	800	1600	50	275	-	9,04
07000495014	37	850	1700	50	300	-	9,61
07000495015	36	900	1800	50	325	-	10,17
07000495016	35	950	1900	50	350	-	10,74
07000495017	34	1000	2000	50	375	-	11,30
07000495018	33	1050	2100	50	400	-	11,87
07000495019	32	1100	2200	50	425	-	12,43
07000495020	30	1150	2300	50	450	-	13,00
07000495021	28	1200	2400	50	475	-	13,56

Series SDDTS-50

Load capacity up to 110 kg/Pair

Partial extension, Cross section 60,0 x 50,0 mm

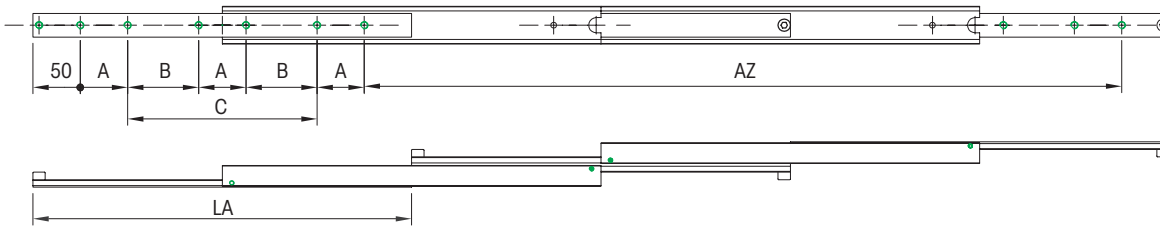
Material

Stainless steel 316L
(1.4404),
machined raceway

SDDTS-...

Single-sided extendable

SDDTS-50



Note:

LA = Length

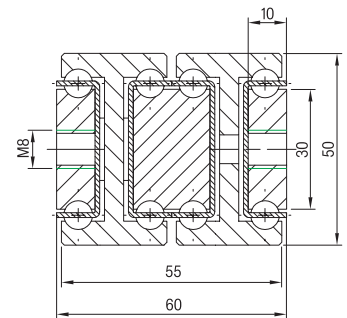
AZ = Travel

Load = Load capacity

10.000 Cycles

 Hole pattern

Other lengths and versions available on request



Article no. SDDTS-50	Load in kg 10.000	LA mm	AZ mm	A mm	B mm	C mm	Weight - kg/pcs. SDDTS-50
07000463001	96	200	400	50	-	-	3,56
07000463002	98	250	500	50	-	50	4,45
07000463003	100	300	600	50	-	100	5,34
07000463004	102	350	700	50	-	150	6,23
07000463005	104	400	800	50	-	200	7,12
07000463006	106	450	900	50	-	250	8,01
07000463007	110	500	1000	50	-	300	8,90
07000463008	105	550	1100	50	150	-	9,79
07000463009	100	600	1200	50	175	-	10,68
07000463010	95	650	1300	50	200	-	11,57
07000463011	90	700	1400	50	225	-	12,46
07000463012	85	750	1500	50	250	-	13,35
07000463013	80	800	1600	50	275	-	14,24
07000463014	75	850	1700	50	300	-	15,13
07000463015	70	900	1800	50	325	-	16,02
07000463016	65	950	1900	50	350	-	16,91
07000463017	60	1000	2000	50	375	-	17,80
07000463018	55	1050	2100	50	400	-	18,69
07000463019	50	1100	2200	50	425	-	19,58
07000463020	45	1150	2300	50	450	-	20,47
07000463021	40	1200	2400	50	475	-	21,36

Series SDDTS-60

Load capacity up to 120 kg/Pair

Over extension, Cross section 60,0 x 60,0 mm

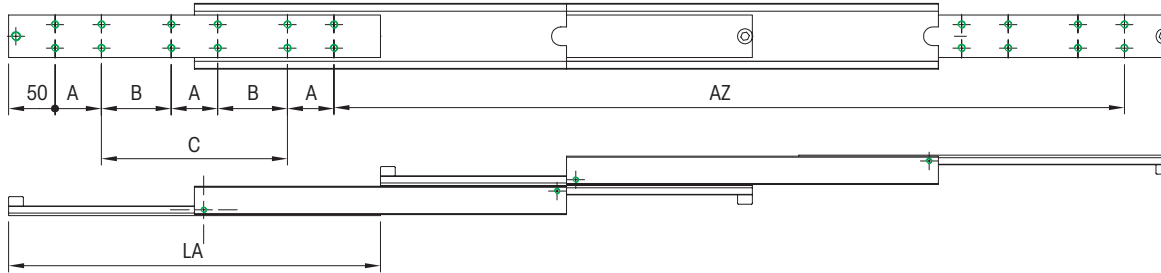
Material

Stainless steel 316L
(1.4404),
machined raceway

SDDTS-...

Single-sided extendable

SDDTS-60



Note:

AZ = Length

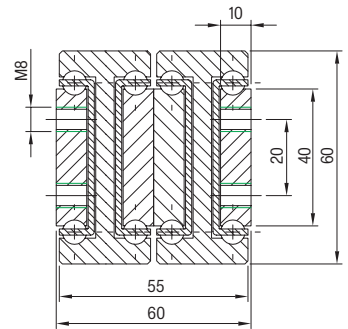
AZ = Travel

Load = Load capacity

10.000 Cycles

 Hole pattern

Other lengths and versions available on request



Article no. SDDTS-60	Load in kg 10.000	LA mm	AZ mm	A mm	B mm	C mm	Weight - kg/pcs. SDDTS-60
07000465001	110	300	600	50	-	100	5,34
07000465002	120	350	700	50	-	150	6,23
07000465003	114	400	800	50	-	200	7,12
07000465004	116	450	900	50	-	250	8,01
07000465005	118	500	1000	50	-	300	8,90
07000465006	120	550	1100	50	-	350	9,79
07000465007	115	600	1200	50	-	400	10,68
07000465008	110	650	1300	50	200	-	11,57
07000465009	105	700	1400	50	225	-	12,46
07000465010	100	750	1500	50	250	-	13,35
07000465011	95	800	1600	50	275	-	14,24
07000465012	90	850	1700	50	300	-	15,13
07000465013	85	900	1800	50	325	-	16,02
07000465014	80	950	1900	50	350	-	16,91
07000465015	75	1000	2000	50	375	-	17,80
07000465016	70	1050	2100	50	400	-	18,69
07000465017	65	1100	2200	50	425	-	19,58
07000465018	60	1150	2300	50	450	-	20,47
07000465019	55	1200	2400	50	475	-	21,36
07000465020	50	1250	2500	50	500	-	22,25
07000465021	45	1300	2600	50	525	-	23,14
07000465022	40	1350	2700	50	550	-	24,03
07000465023	35	1400	2800	50	575	-	24,92

Series SDDTS-70

Load capacity up to 130 kg/Pair

Over extension, Cross section 64,0 x 70,0 mm

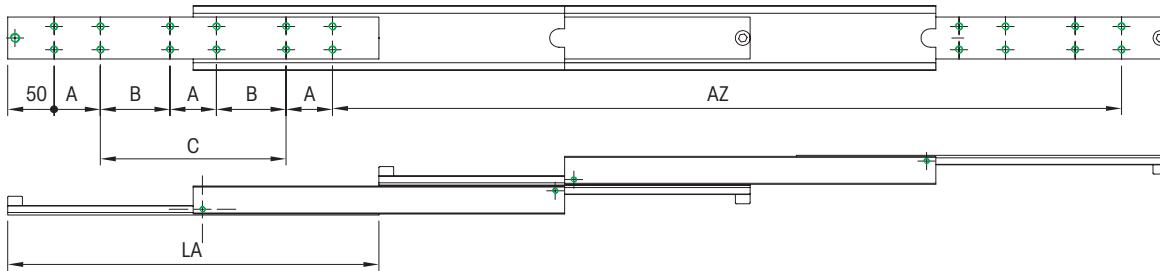
Material

Stainless steel 316L
(1.4404),
machined raceway

SDDTS-...

Single-sided extendable

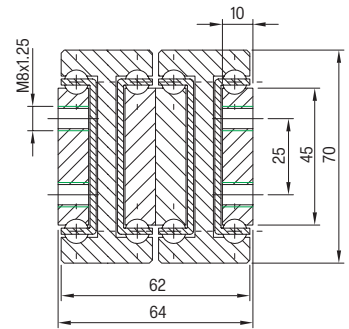
SDDTS-70



Note:

LA = Length
AZ = Travel
Load = Load capacity
10.000 Cycles
Hole pattern

Other lengths and versions available on request



Article no. SDDTS-70	Load in kg 10.000	LA mm	AZ mm	A mm	B mm	C mm	Weight - kg/pcs. SDDTS-70
07000496001	120	300	600	50	-	-	8,25
07000496002	122	350	700	50	-	50	9,63
07000496003	124	400	800	50	-	100	11,00
07000496004	126	450	900	50	-	150	12,38
07000496005	128	500	1000	50	-	200	13,75
07000496006	130	550	1100	50	-	250	15,13
07000496007	125	600	1200	50	-	300	16,50
07000496008	120	650	1300	50	200	-	17,88
07000496009	115	700	1400	50	225	-	19,25
07000496010	110	750	1500	50	250	-	20,63
07000496011	105	800	1600	50	275	-	22,00
07000496012	100	850	1700	50	300	-	23,38
07000496013	95	900	1800	50	325	-	24,75
07000496014	90	950	1900	50	350	-	26,13
07000496015	85	1000	2000	50	375	-	27,50
07000496016	80	1050	2100	50	400	-	28,88
07000496017	75	1100	2200	50	425	-	30,25
07000496018	70	1150	2300	50	450	-	31,63
07000496019	65	1200	2400	50	475	-	33,00
07000496020	60	1250	2500	50	500	-	34,38
07000496021	55	1300	2600	50	525	-	35,75
07000496022	50	1350	2700	50	550	-	37,13
07000496023	45	1400	2800	50	575	-	38,50
07000496024	40	1450	2900	50	600	-	39,88
07000496025	35	1500	3000	50	625	-	41,25
07000496026	30	1550	3100	50	650	-	42,63
07000496027	25	1600	3200	50	675	-	44,00

Series SDDTS-90

Load capacity up to 170 kg/Pair

Over extension, Cross section 72,0 x 90,0 mm

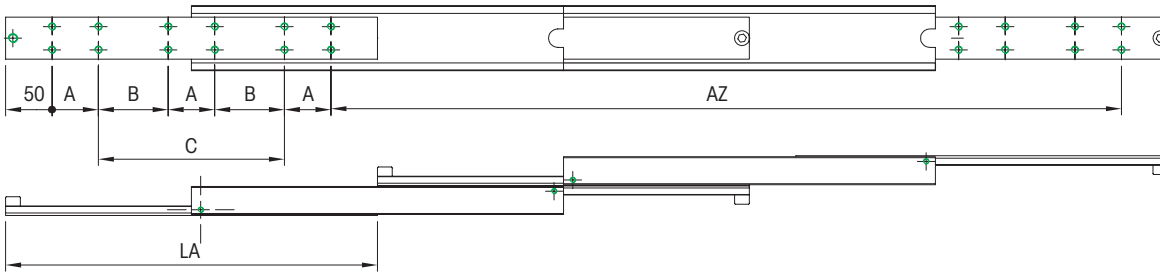
Material

Stainless steel 316L
(1.4404),
machined raceway

SDDTS-...

Single-sided extendable

SDDTS-90



Note:

LA = Length

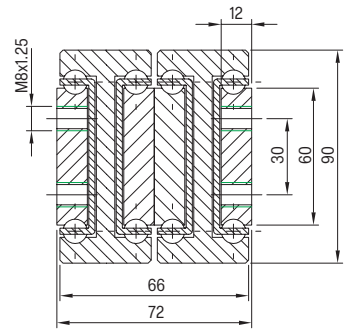
AZ = Travel

Load = Load capacity

10.000 Cycles

Hole pattern

Other lengths and versions available on request



Article no. SDDTS-90	Load in kg 10.000	LA mm	AZ mm	A mm	B mm	C mm	Weight - kg/pcs. SDDTS-90
07000466001	140	300	600	50	-	100	11,88
07000466002	145	350	700	50	-	150	13,86
07000466003	150	400	800	50	-	200	15,84
07000466004	155	450	900	50	-	250	17,82
07000466005	160	500	1000	50	-	300	19,80
07000466006	165	550	1100	50	150	-	21,78
07000466007	170	600	1200	50	175	-	23,76
07000466008	160	650	1300	50	200	-	25,74
07000466009	150	700	1400	50	225	-	27,72
07000466010	140	750	1500	50	250	-	29,70
07000466011	135	800	1600	50	275	-	31,68
07000466012	130	850	1700	50	300	-	33,66
07000466013	125	900	1800	50	325	-	35,64
07000466014	120	950	1900	50	350	-	37,62
07000466015	115	1000	2000	50	375	-	39,60
07000466016	110	1050	2100	50	400	-	41,58
07000466017	105	1100	2200	50	425	-	43,56
07000466018	100	1150	2300	50	450	-	45,54
07000466019	95	1200	2400	50	475	-	47,52
07000466020	90	1250	2500	50	500	-	49,50
07000466021	85	1300	2600	50	525	-	51,48
...
07000466027	55	1600	3200	50	675	-	63,36

Engineering and Robotics



Load capacity up to 125 kg/Pair

Full extension, Cross section 24,0 x 40,0 mm

Material

Aluminium
EN-AW 6082 T6,
machined raceway

ADTS-...

Single-sided extendable

ADTSB-...

Double-sided extendable

Note:

LA = Length

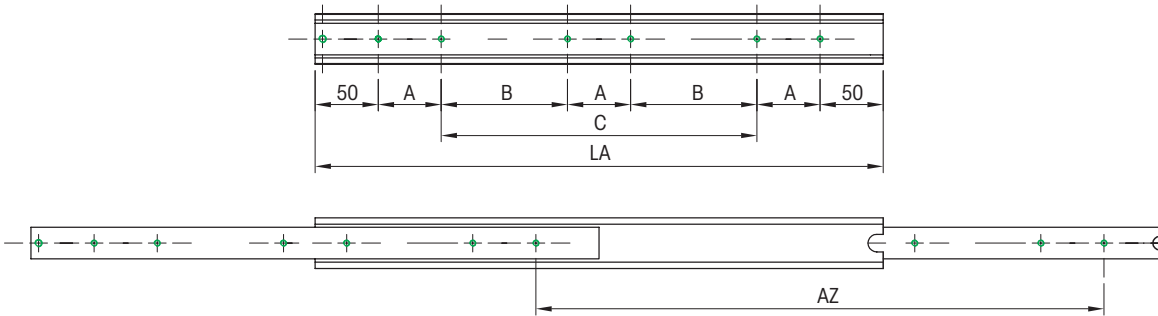
AZ = Travel

Load = Load capacity
10.000 Cycles

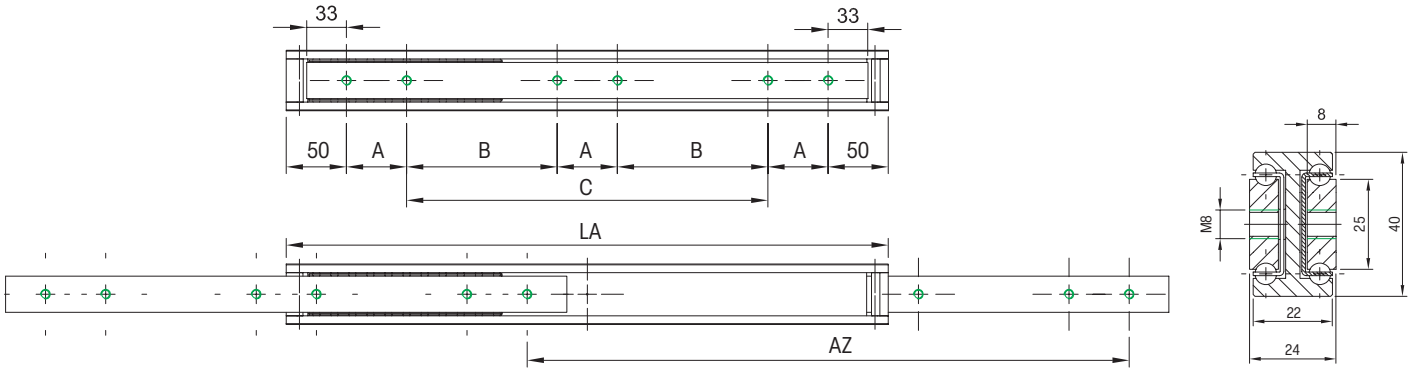
 Hole pattern

Other lengths and versions available on request

ADTS-40



ADTSB-40



Article no. ADTS-40	Article no. ADTSB-40	Load in kg 10.000	LA mm	AZ mm	A mm	B mm	C mm	Weight - kg/pcs. ADTS-40	Weight - kg/pcs. ADTSB-40
07000458001	07000494001	85	200	200	50	-	-	0,46	0,44
07000458002	07000494002	90	250	250	50	-	50	0,58	0,55
07000458003	07000494003	95	300	300	50	-	100	0,69	0,66
07000458004	07000494004	100	350	350	50	-	150	0,81	0,77
07000458005	07000494005	105	400	400	50	-	200	0,92	0,88
07000458006	07000494006	110	450	450	50	-	250	1,04	0,99
07000458007	07000494007	115	500	500	50	-	300	1,15	1,10
07000458008	07000494008	120	550	550	50	150	-	1,27	1,21
07000458009	07000494009	125	600	600	50	175	-	1,38	1,32
07000458010	07000494010	120	650	650	50	200	-	1,50	1,43
07000458011	07000494011	115	700	700	50	225	-	1,61	1,54
07000458012	07000494012	110	750	750	50	250	-	1,73	1,65
07000458013	07000494013	105	800	800	50	275	-	1,84	1,76
07000458014	07000494014	100	850	850	50	300	-	1,96	1,87
07000458015	07000494015	95	900	900	50	325	-	2,07	1,98
07000458016	07000494016	90	950	950	50	350	-	2,19	2,09
07000458017	07000494017	85	1000	1000	50	375	-	2,30	2,20
07000458018	07000494018	80	1050	1050	50	400	-	2,42	2,31
07000458019	07000494019	75	1100	1100	50	425	-	2,53	2,42
07000458020	07000494020	70	1150	1150	50	450	-	2,65	2,53
07000458021	07000494021	65	1200	1200	50	475	-	2,76	2,64
...
07000458029	up to 1500 mm	25	1600	1600	50	675	-	3,68	-

Series ADTS-50 | ADTSB-50

Load capacity up to 180 kg/Pair

Full extension, Cross section 30,0 x 50,0 mm

Material

Aluminium
EN-AW 6082 T6,
machined raceway

ADTS-...

Single-sided extendable

ADTSB-...

Double-sided extendable

Note:

LA = Length

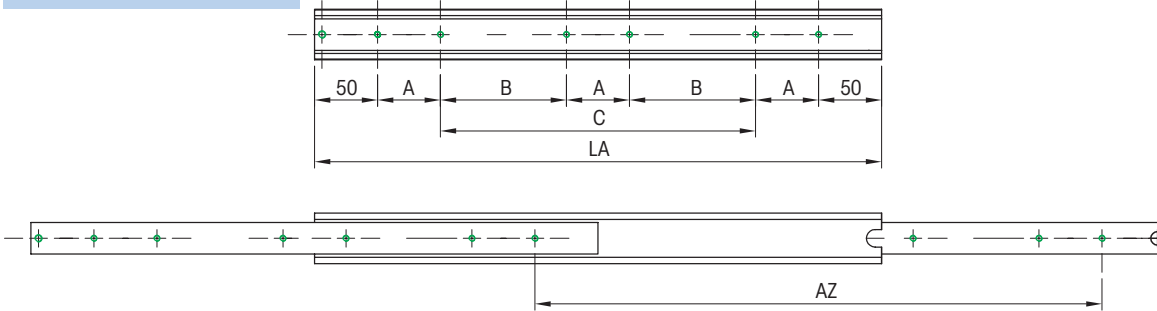
AZ = Travel

Load = Load capacity
10.000 Cycles

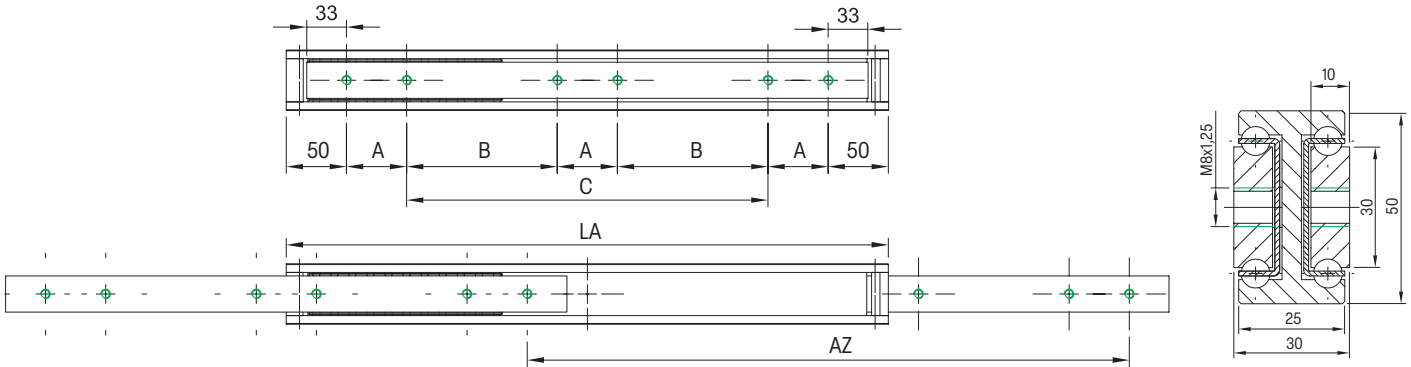
 Hole pattern

Other lengths and versions available on request

ADTS-50



ADTSB-50



Article no. ADTS-50	Article no. ADTSB-50	Load in kg 10.000	LA mm	AZ mm	A mm	B mm	C mm	Weight - kg/pcs. ADTS-50	Weight - kg/pcs. ADTSB-50
07000459001	07000461001	110	200	200	50	-	-	0,70	0,68
07000459002	07000461002	120	250	250	50	-	50	0,88	0,85
07000459003	07000461003	130	300	300	50	-	100	1,05	1,02
07000459004	07000461004	140	350	350	50	-	150	1,23	1,19
07000459005	07000461005	150	400	400	50	-	200	1,40	1,36
07000459006	07000461006	160	450	450	50	-	250	1,58	1,53
07000459007	07000461007	170	500	500	50	-	300	1,75	1,70
07000459008	07000461008	180	550	550	50	150	-	1,93	1,87
07000459009	07000461009	175	600	600	50	175	-	2,10	2,04
07000459010	07000461010	170	650	650	50	200	-	2,28	2,21
07000459011	07000461011	165	700	700	50	225	-	2,45	2,38
07000459012	07000461012	160	750	750	50	250	-	2,63	2,55
07000459013	07000461013	155	800	800	50	275	-	2,80	2,72
07000459014	07000461014	150	850	850	50	300	-	2,98	2,89
07000459015	07000461015	145	900	900	50	325	-	3,15	3,06
07000459016	07000461016	140	950	950	50	350	-	3,33	3,23
07000459017	07000461017	135	1000	1000	50	375	-	3,50	3,40
07000459018	07000461018	130	1050	1050	50	400	-	3,68	3,57
07000459019	07000461019	125	1100	1100	50	425	-	3,85	3,74
07000459020	07000461020	120	1150	1150	50	450	-	4,03	3,91
07000459021	07000461021	115	1200	1200	50	475	-	4,20	4,08
...
07000459029	07000461029	45	1600	1600	50	675	-	5,60	5,44

Load capacity up to 330 kg/Pair

Full extension, Cross section 32,0 x 70,0 mm

Material

Aluminium
EN-AW 6082 T6,
machined raceway

ADTS-...

Single-sided extendable

ADTSB-...

Single-sided extendable

Note:

LA = Length

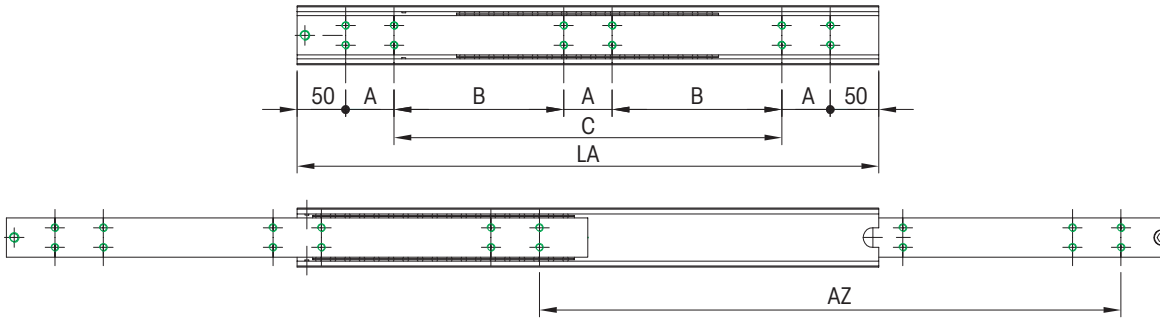
AZ = Travel

Load = Load capacity
10.000 Cycles

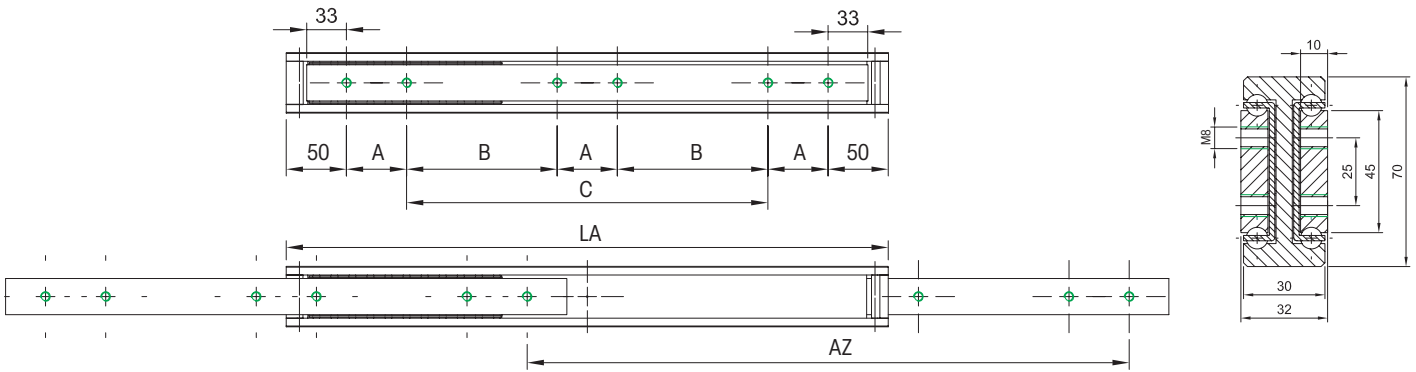
 Hole pattern

Other lengths and versions available on request

ADTS-70



ADTSB-70



Article no. ADTS-70	Article no. ADTSB-70	Load in kg 10.000	LA mm	AZ mm	A mm	B mm	C mm	Weight - kg/pcs. ADTS-70	Weight - kg/pcs. ADTSB-70
07000460001	07000462001	240	200	200	50	-	-	1,10	1,10
07000460002	07000462002	250	250	250	50	-	50	1,38	1,38
07000460003	07000462003	260	300	300	50	-	100	1,65	1,65
07000460004	07000462004	270	350	350	50	-	150	1,93	1,93
07000460005	07000462005	280	400	400	50	-	200	2,20	2,20
07000460006	07000462006	290	450	450	50	-	250	2,48	2,48
07000460007	07000462007	300	500	500	50	-	300	2,75	2,75
07000460008	07000462008	315	550	550	50	150	-	3,03	3,03
07000460009	07000462009	330	600	600	50	175	-	3,30	3,30
07000460010	07000462010	320	650	650	50	200	-	3,58	3,58
07000460011	07000462011	310	700	700	50	225	-	3,85	3,85
07000460012	07000462012	300	750	750	50	250	-	4,13	4,13
07000460013	07000462013	290	800	800	50	275	-	4,40	4,40
07000460014	07000462014	280	850	850	50	300	-	4,68	4,68
07000460015	07000462015	270	900	900	50	325	-	4,95	4,95
07000460016	07000462016	260	950	950	50	350	-	5,23	5,23
07000460017	07000462017	250	1000	1000	50	375	-	5,50	5,50
07000460018	07000462018	240	1050	1050	50	400	-	5,78	5,78
07000460019	07000462019	230	1100	1100	50	425	-	6,05	6,05
07000460020	07000462020	220	1150	1150	50	450	-	6,33	6,33
07000460021	07000462021	210	1200	1200	50	475	-	6,60	6,60
...
07000460037	07000462037	105	2000	2000	100	800	-	11,00	11,00

Aviation and Transport



Series ADDTS-40

Load capacity up to 50 kg/Pair

Over extension, Cross section 48,0 x 40,0 mm

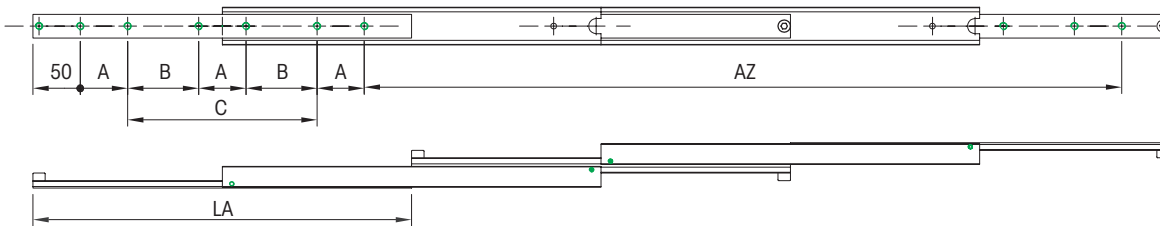
Material

Aluminium
EN-AW 6082 T6,
machined raceway

ADDTS-...

Single-sided extendable

ADDTS-40



Note:

LA = Length

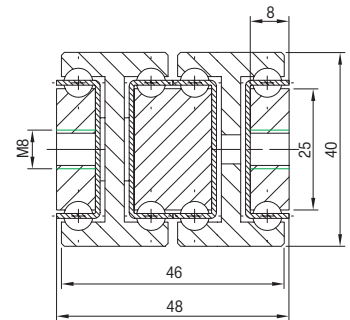
AZ = Travel

Load = Load capacity

10.000 Cycles

 Hole pattern

Other lengths and versions available on request



Article no. ADDTS-40	Load in kg 10.000	LA mm	AZ mm	A mm	B mm	C mm	Weight - kg/pcs. ADDTS-40
07000455001	38	200	400	50	-	-	0,92
07000455002	40	250	500	50	-	50	1,15
07000455003	42	300	600	50	-	100	1,38
07000455004	44	350	700	50	-	150	1,61
07000455005	46	400	800	50	-	200	1,84
07000455006	48	450	900	50	-	250	2,07
07000455007	50	500	1000	50	-	300	2,30
07000455008	48	550	1100	50	150	-	2,53
07000455009	46	600	1200	50	175	-	2,76
07000455010	42	650	1300	50	200	-	2,99
07000455011	40	700	1400	50	225	-	3,22
07000455012	39	750	1500	50	250	-	3,45
07000455013	38	800	1600	50	275	-	3,68
07000455014	37	850	1700	50	300	-	3,91
07000455015	36	900	1800	50	325	-	4,14
07000455016	35	950	1900	50	350	-	4,37
07000455017	34	1000	2000	50	375	-	4,60
07000455018	33	1050	2100	50	400	-	4,83
07000455019	32	1100	2200	50	425	-	5,06
07000455020	30	1150	2300	50	450	-	5,29
07000455021	28	1200	2400	50	475	-	5,52

Series ADDTS-50

Load capacity up to 80 kg/Pair

Over extension, Cross section 60,0 x 50,0 mm

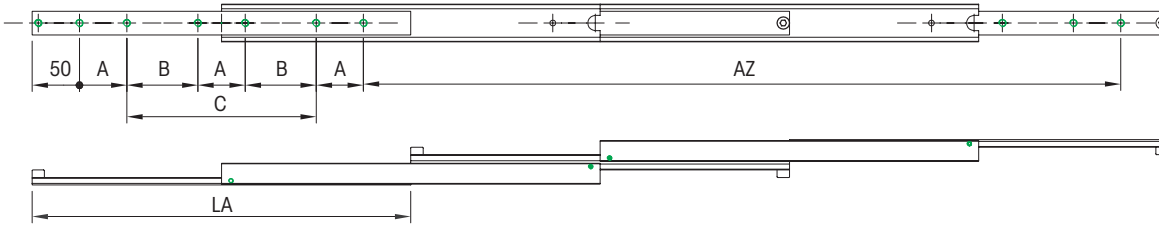
Material

Aluminium
EN-AW 6082 T6,
machined raceway

ADDTS-...

Single-sided extendable

ADDTS-50



Note:

LA = Length

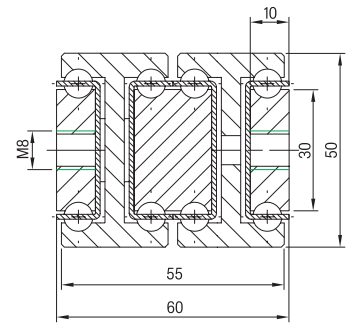
AZ = Travel

Load = Load capacity

10.000 Cycles

Hole pattern

Other lengths and versions available on request



Article no. ADDTS-50	Load in kg 10.000	LA mm	AZ mm	A mm	B mm	C mm	Weight - kg/pcs. ADDTS-50
07000456001	50	200	400	50	-	-	3,56
07000456002	55	250	500	50	-	50	4,45
07000456003	60	300	600	50	-	100	5,34
07000456004	65	350	700	50	-	150	6,23
07000456005	70	400	800	50	-	200	7,12
07000456006	75	450	900	50	-	250	8,01
07000456007	80	500	1000	50	-	300	8,9
07000456008	75	550	1100	50	150	-	9,79
07000456009	70	600	1200	50	175	-	10,68
07000456010	65	650	1300	50	200	-	11,57
07000456011	60	700	1400	50	225	-	12,46
07000456012	56	750	1500	50	250	-	13,35
07000456013	52	800	1600	50	275	-	14,24
07000456014	48	850	1700	50	300	-	15,13
07000456015	46	900	1800	50	325	-	16,02
07000456016	44	950	1900	50	350	-	16,91
07000456017	42	1000	2000	50	375	-	17,8
07000456018	40	1050	2100	50	400	-	18,69
07000456019	38	1100	2200	50	425	-	19,58
07000456020	36	1150	2300	50	450	-	20,47
07000456021	34	1200	2400	50	475	-	21,36

Series ADDTS-70

Load capacity up to 90 kg/Pair

Over extension, Cross section 64,0 x 70,0 mm

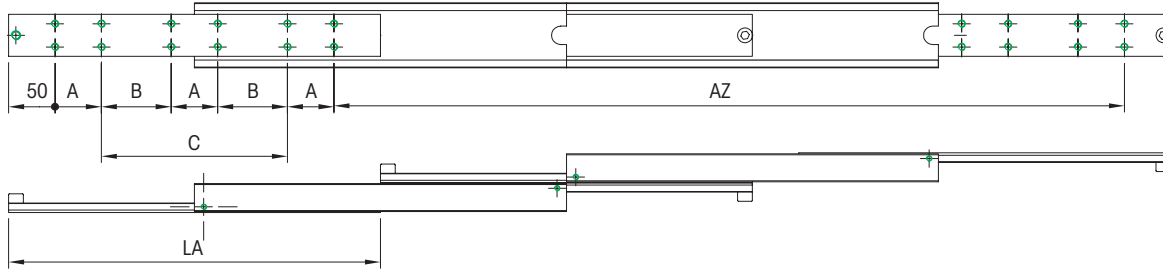
Material

Aluminium
EN-AW 6082 T6,
machined raceway

ADDTS-...

Single-sided extendable

ADDTS-70



Note:

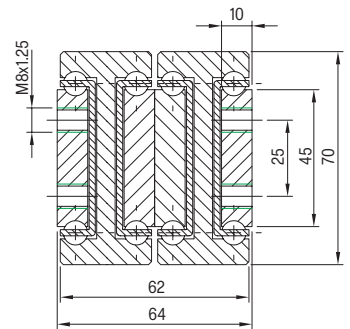
LA = Length

AZ = Travel

Load = Load capacity
10.000 Cycles

 Hole pattern

Other lengths and versions available on request



Article no. ADDTS-70	Load in kg 10.000	LA mm	AZ mm	A mm	B mm	C mm	Weight - kg/pcs. ADDTS-70
07000457001	62	200	400	50	-	-	0,92
07000457002	65	250	500	50	-	50	1,15
07000457003	70	300	600	50	-	100	1,38
07000457004	75	350	700	50	-	150	1,61
07000457005	80	400	800	50	-	200	1,84
07000457006	85	450	900	50	-	250	2,07
07000457007	90	500	1000	50	-	300	2,30
07000457008	85	550	1100	50	150	-	2,53
07000457009	80	600	1200	50	175	-	2,76
07000457010	75	650	1300	50	200	-	2,99
07000457011	70	700	1400	50	225	-	3,22
07000457012	65	750	1500	50	250	-	3,45
07000457013	60	800	1600	50	275	-	3,68
07000457014	58	850	1700	50	300	-	3,91
07000457015	56	900	1800	50	325	-	4,14
07000457016	54	950	1900	50	350	-	4,37
07000457017	52	1000	2000	50	375	-	4,60
07000457018	50	1050	2100	50	400	-	4,83
07000457019	48	1100	2200	50	425	-	5,06
07000457020	46	1150	2300	50	450	-	5,29
07000457021	44	1200	2400	50	475	-	5,52



Schock Metallwerk GmbH
Siemensstraße 1-3
D-73660 Urbach

www.schock-group.com